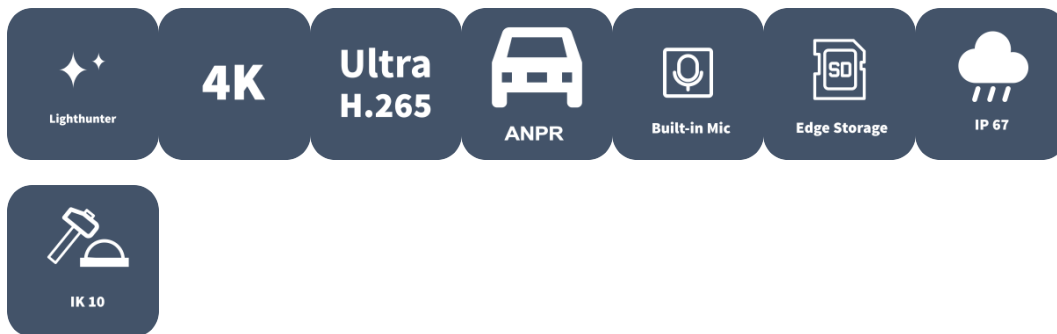


8MP ANPR LightHunter Network Bullet Camera

IPS-HC268



Features

- High quality image with 8MP, 1/1.8" CMOS sensor
- 3840*2160@60fps in the main stream, which can offering more details of fast moving objects
- Ultra 265, H.265, H.264, MJPEG
- ANPR supports capturing and recognizing car license plate according to the set country or area
- Adjustable far and near lights, suitable for different capture situation
- 8~32mm focal lens, suitable for road scenarios
- Wise-ISP technology, comprehensive improvement in image quality
- Audio 2 in and 1 out, Alarm 3 in and 2 out
- Built in heater, support normal start up at low temperature
- Micro SD, up to 512 GB

- DC12V or PoE (IEEE 802.3at) power supply
- IP67,IK10

Specifications

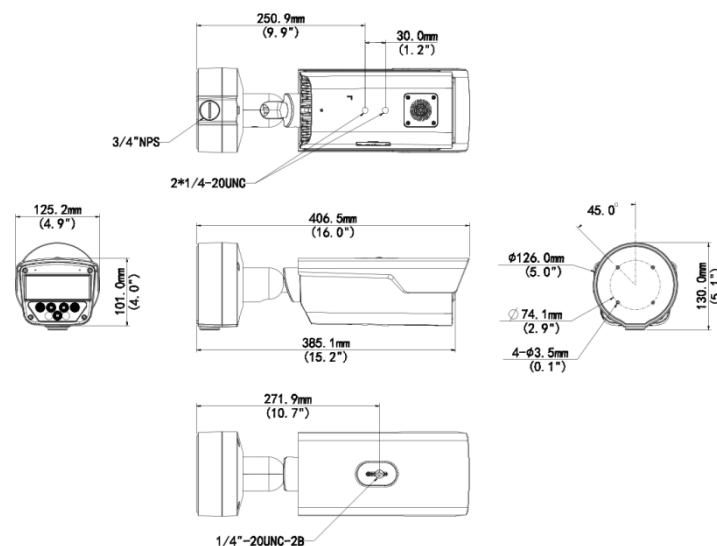
Camera	Description
Sensor	1/1.8" CMOS
Min. Illumination	HDX4-IR-I1:Colour:0.003 lux (F1.6, AGC ON) B/W:0.002 lux (F1.6, AGC ON) 0 lux with IR HDX4-WH-I1:Colour:0.003 lux (F1.6, AGC ON) 0 lux with Light
Day/Night	IR-cut filter with auto switch (ICR)
Shutter	Auto/Manual, 1 ~ 1/100000s
WDR	140dB
S/N	>56dB
Lens	Description
Focal Length	8 ~ 32 mm
Digital Zoom	16X
Optical Zoom	4X
Iris	F1.6
Iris Type	P-iris
Field of View (H)	42°~15.3°
Field of View (V)	22.6°~8.8°
Field of View (D)	51.7°~18.1°
DORI	Description
DORI Distance (Detect)	240.3m(788.4ft)~644.4m(2114.2ft)
DORI Distance (Observe)	96.1m(315.4ft)~257.8m(845.7ft)
DORI Distance (Recognize)	48.1m(157.7ft)~128.9m(422.8ft)
DORI Distance (Identify)	24.0m(78.8ft)~64.4m(211.4ft)
Illuminator	Description
Illumination Distance (Warm Light)	HDX4-WH-I1:40 m (131.2 ft)

)	
Illumination Distance (IR)	HDX4-IR-I1:40 m (131.2 ft)
Wavelength	HDX4-IR-I1:850 nm
Video	Description
Video Compression	Ultra 265; H.265; H.264; MJPEG
Frame Rate-Main Stream	8MP(3840*2160), Max 60fps
Frame Rate-Sub Stream	2MP(1920*1080), Max 60fps;
Frame Rate-Third Stream	D1 (720*576), Max 60fps
Frame Rate Recommendation	3840*2160@60fps+1080P@60fps+D1@60fps
Video Bit Rate	128 Kbps ~ 16 Mbps
U-code	Support
ROI	Up to 8 areas
Video Stream	Triple Streams
OSD	Up to 10 OSDs
Privacy Mask	Up to 8 areas (8 blacks / 8 mosaics)
Image	Description
White Balance	Auto,Outdoor,Fine Tune,Sodium Lamp,Locked,Auto2
Digital Noise Reduction	2D/3D DNR
Smart IR	HDX4-IR-I1:Support HDX4-WH-I1:N/A
Flip	Normal,Flip Vertical,Flip Horizontal,180°,90°Clockwise,90°Anti-clockwise
HLC	Support
Defog	Digital Defog
Intelligent	Description
ANPR	Up to 4 car lanes can be set: Support pedestrian, motor vehicle and non-motor vehicle image capturing; Support recognizing car license plate more accurately by choosing different country/region and attribute collection;
Supports Multiple Countries	North America: United States, CanadaEU: France, Spain, Portugal, Germany, UK, Ireland, Bulgaria, Latvia, Romania, Slovenia, Poland, Hungary, Serbia, Czech Republic, Slovakia, Bosnia and Herzegovina, Greece, Croatia, Ukraine Asia Pacific: South Korea, Indonesia, Malaysia, SingaporeMiddle East: Iraq, Saudi Arabia, United Arab Emirates
Events	Description

Basic Detection	Motion detection,Audio detection,Tampering alarm
General Function	Watermark,IP Address Filtering,Access Policy,ARP Protection,RTSP Authentication,User Authentication,HTTP authentication,Alarm input,Alarm output
Audio	Description
Audio Compression	G.711U,G.711A
Audio Bitrate	128 Kbps
Two-way Audio	Support
Suppression	Support
Sampling Rate	16KHZ
Storage	Description
Edge Storage	Micro SD, up to 512 GB
Network Storage	ANR,NAS(NFS)
Network	Description
Protocols	IGMP, RTP, SMTP, IPv4, IPv6, ICMP, ARP, TCP, UDP, DHCP, PPPoE, RTSP, RTCP, RTMP, DNS, DDNS, NTP, FTP, UPnP, HTTP, HTTPS, 802.1x, SNMP, QoS, SSL/TLS, SSH, TLS1.3
Compatible Integration	API,SDK,ONVIF (Profile S, Profile G, Profile T)
User/Host	Up to 32 users. 3 user levels: administrator, common user and operator
Security	Password Protection; Strong Password; HTTPS Encryption; Export Operation Logs; Basic and Digest Authentication for RTSP; Digest Authentication for HTTP; TLS 1.2; WSSE and Digest Authentication for ONVIF; TLS1.3
Client	EZStation; UNV-Link; UNV-Link Pro
Web Browser	Plug-in required live view: IE 10 and above, Chrome 45 and above, Firefox 52 and above, Edge 79 and above
Interface	Description
Audio I/O	2/1
Alarm I/O	3/2
Serial Port	1 channel RS485 interface
Built-in Mic	Support, built-in mic*2
Built-in Speaker	Support
Network	1 * RJ45 10M/100M/1000M Base-TX Ethernet
Certification	Description
EMC	CE-EMC (EN 55032:2015+A11:2020+A1:2020,EN 61000-3-3:2013+A1:2019+A2:2021,EN

	IEC 61000-3-2: 2019+A1: 2021, EN 50130-4:2011+A1:2014) FCC (FCC CFR 47 part15 B, ANSI C63.4 2014)
Safety	EN IEC 62368-1:2020+A11:2020 UL (UL 62368-1, 2nd Ed., Issue Date: 2014-12-01)
Environment	CE-RoHS (2011/65/EU;(EU)2015/863); WEEE (2012/19/EU); Reach (Regulation (EC) No 1907/2006)
Protection	IP67 (IEC 60529:1989+AMD1:1999+AMD2:2013) IK10 (IEC 62262:2002)
General	Description
Power	DC12V(±25%) , PoE+ (IEEE 802.3at)
Power Consumption	HDX4-IR-I1:Max 18W HDX4-WH-I1:Max 22W
Power Interface	Ø 5.5 mm coaxial power plug
Dimensions	406 x 125 x 130mm(16.0" x 4.9" x 5.1")
Weight	1.86Kg(4.10lb)
Working Environment	-40°C ~ 70°C (-40°F ~ 158°F), Humidity: ≤95% RH (non-condensing)
Surge Protection	6KV

Dimensions



Zhejiang Uniview Technologies Co., Ltd.

No. 369, Xietong Road, Xixing Sub-district, Binjiang District, Hangzhou City, 310051, Zhejiang Province, China (Zhejiang) Pilot Free Trade Zone,

China

Email: overseasbusiness@uniview.com; globalsupport@uniview.com

<http://www.uniview.com>

©2024 Zhejiang Uniview Technologies Co., Ltd. All rights reserved.

*Product specifications and availability are subject to change without notice.

*Despite our best efforts, technical or typographical errors may exist in this document. Uniview cannot be held responsible for any such errors and reserves the right to change the contents of this document without prior notice.