

# Indoor PTZ Dome In-ceiling Mount

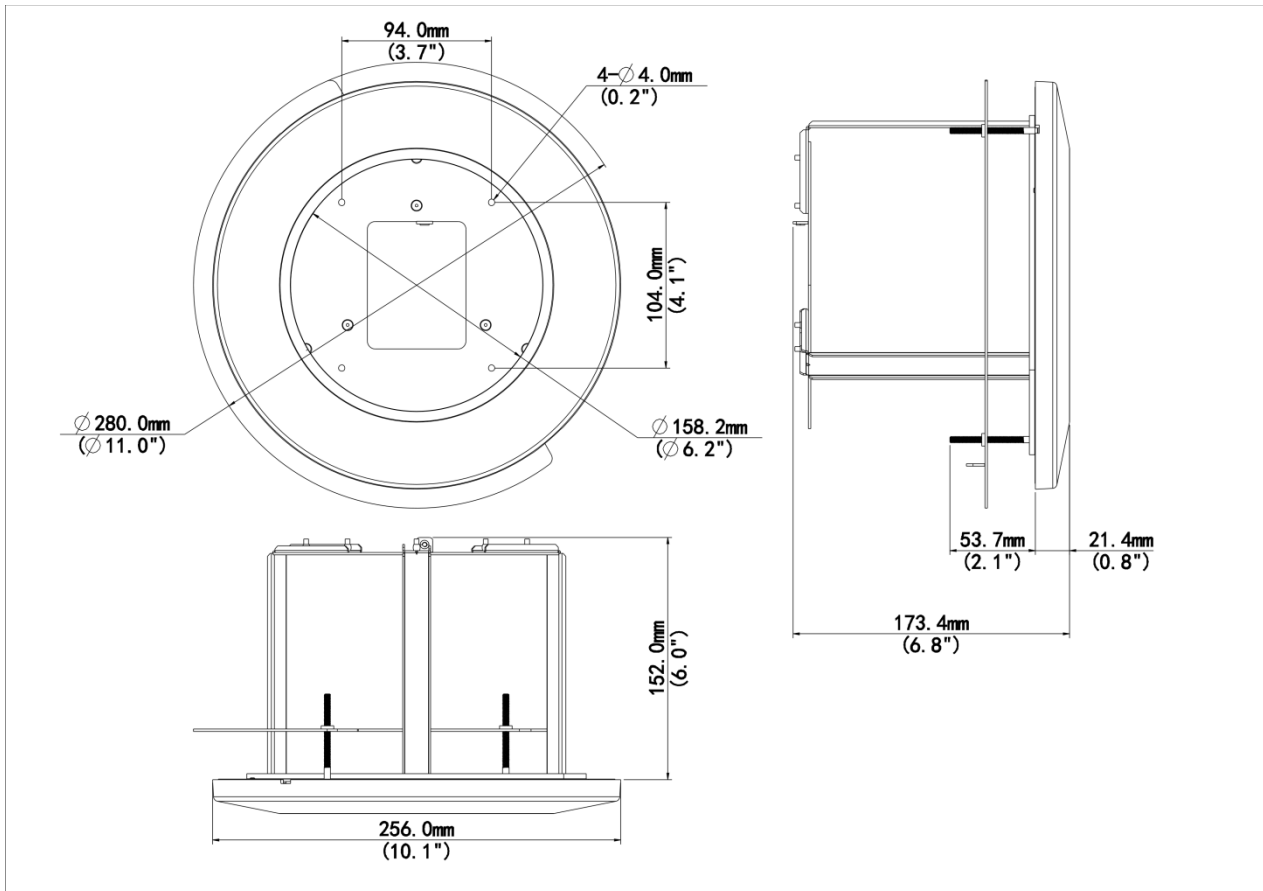
TR-FM200-IN



## Specifications

Model	TR-FM200-IN
Bracket	
Application	Indoor, indoor PTZ dome in-ceiling installation
Bracket Dimensions	$\Phi 280\text{mm} \times 172.4\text{mm} (\Phi 11'' \times 6.8'')$ In-ceiling hole: $\Phi 230\text{mm} (\Phi 9.05'')$
Bracket Weight	2kg(4.4lb)
Bracket Material	Sheet metal and PC

## Dimensions



### Zhejiang Uniview Technologies Co., Ltd.

No. 369, Xietong Road, Xixing Sub-district, Binjiang District, Hangzhou City, 310051, Zhejiang Province, China

Email: [overseasbusiness@uniview.com](mailto:overseasbusiness@uniview.com); [globalsupport@uniview.com](mailto:globalsupport@uniview.com)

<http://www.uniview.com>

©2024-2025 Zhejiang Uniview Technologies Co., Ltd. All rights reserved.

\*Product specifications and availability are subject to change without notice.

\*Despite our best efforts, technical or typographical errors may exist in this document. Uniview cannot be held responsible for any such errors and reserves the right to change the contents of this document without prior notice.