

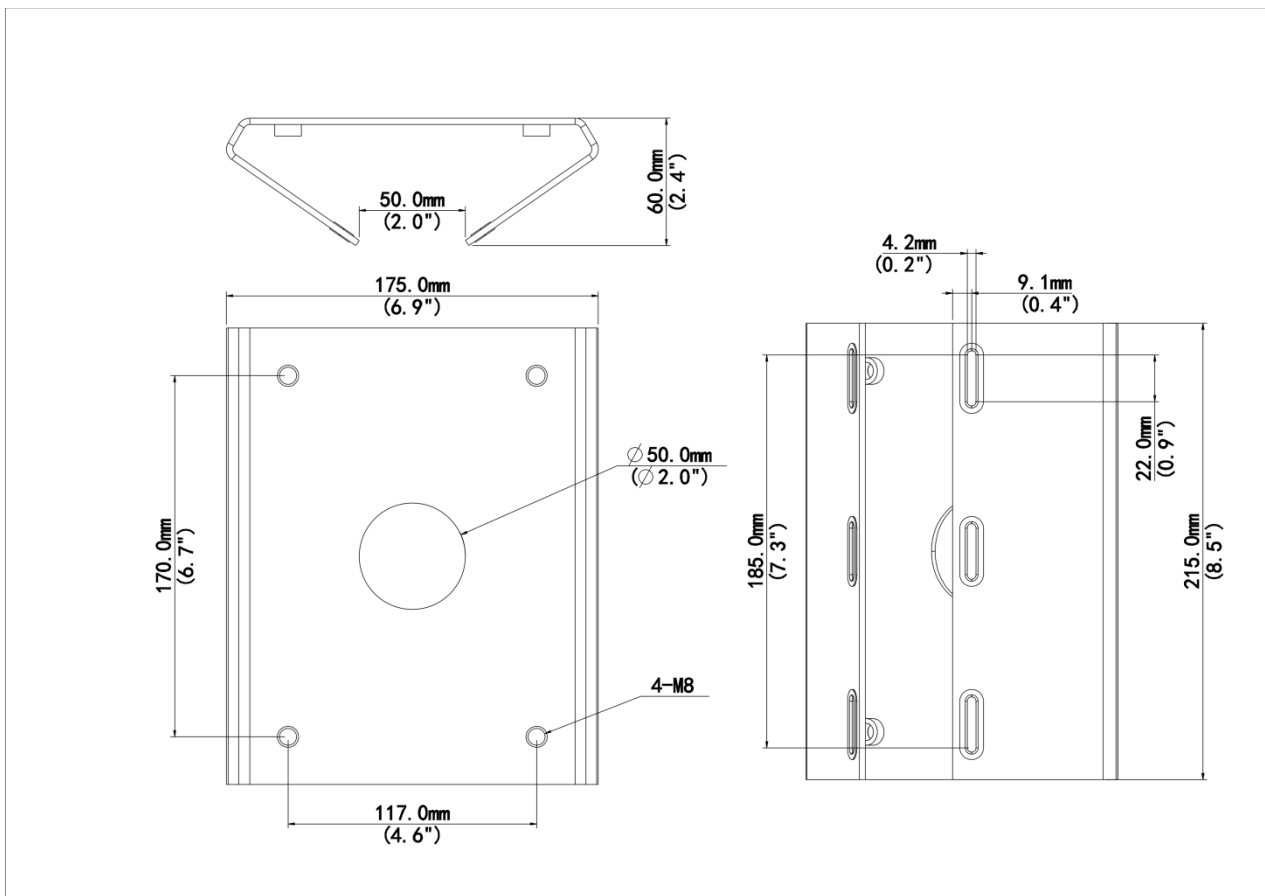
**Pole Mount Adapter
TR-UP08-A-IN**



Specifications

Model	TR-UP08-A-IN
Bracket	
Application	Indoor or outdoor, pole installation for PTZ dome camera
Bracket Dimensions	215 mm x 175 mm x 60.0 mm (8.5" x 6.9" x 2.4")
Embrace Hoop Diameter	67 mm ~ 127 mm (2.6" ~ 5")
Bracket Weight	1.47 kg (3.2 lb)
Bracket Material	Steel

Dimensions



Ordering Info


Product Model	Description
TR-UP08-A-IN	Dome Pole Mounting Bracket

Unlimited New View

Zhejiang Uniview Technologies Co., Ltd.

 <http://www.uniview.com>

 overseasbusiness@uniview.com; globalsupport@uniview.com

 No. 369, Xietong Road, Xixing Sub-district, Binjiang District, Hangzhou City, 310051, Zhejiang Province, China



©2023-2025 Zhejiang Uniview Technologies Co., Ltd. All rights reserved.

*Product specifications and availability are subject to change without notice.

Despite our best efforts, technical or typographical errors may exist in this document. Uniview cannot be held responsible for any such errors and reserves the right to change the contents of this document without prior notice.