

【Datasheet】 UNV LAMP-IH25@M3-F-OS Infrared Strobe Light
Infrared flash Light(Overseas)

LAMP-IH25@M3-F-OS



Features

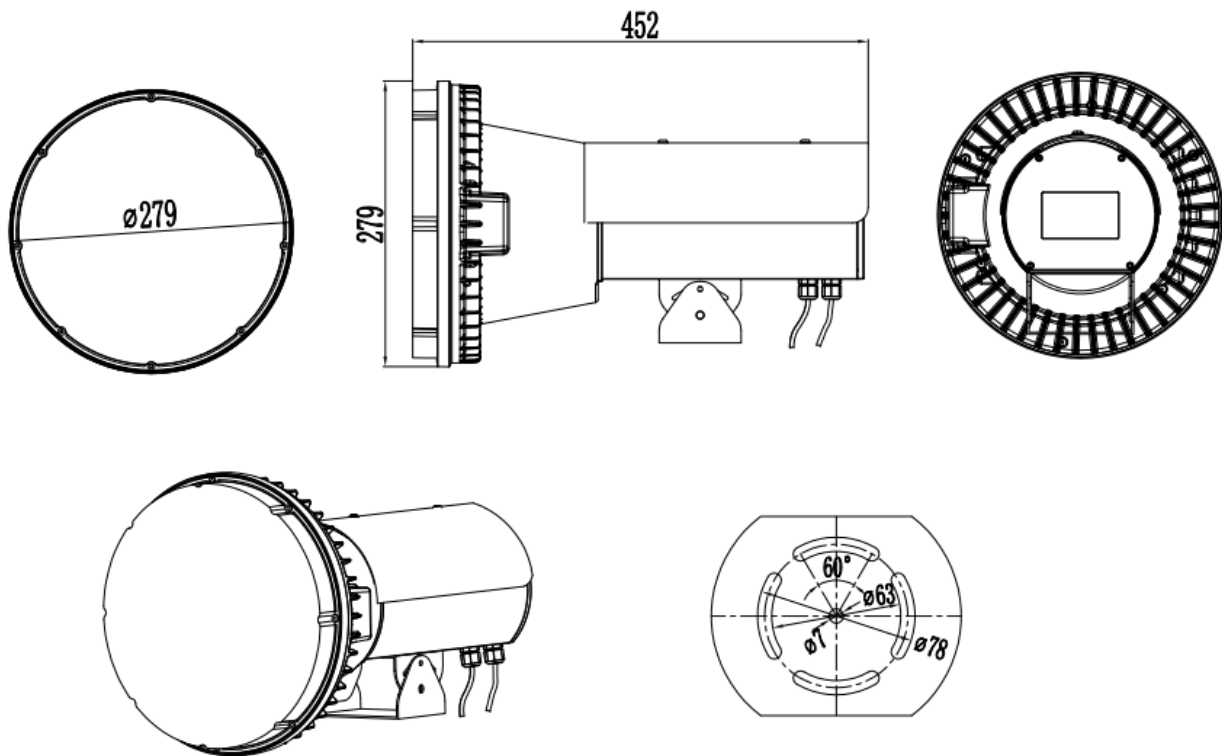
- 24 high power IR light LEDs.
- Flash brightness 8 level adjustable.
- Support infrared White explosion switch.
- Life up to more than 10 million times.
- Brightness does not vary with supply voltage fluctuations.
- IP65 protection level, waterproof and dustproof.

Specifications

| Model | LAMP-IH25@M3-F-OS |
|-----------------------------|--|
| LED strobe | |
| Power consumption | Default power is 4.4W(≤ 40W) |
| Light type | Infrared flash & white flash & infrared strobe |
| Luminous angle | 10° |
| Trigger frequency | 50Hz/60Hz |
| Optimal fill light distance | 15~30m |
| Trigger mode | Level trigger, switch trigger |
| Beam angle | 0-40% |
| LED lamp bead wavelength | 850nm |
| White light flash | |
| White light flash lifetime | More than 10 million times |
| Output energy | ≤100J |
| Flash brightness | 8-level adjustable |

| | |
|--------------------------------|----------------------|
| Color temperature | ≤7000K |
| Return time | ≤50ms |
| Duration of flash | 1/10000s~1/1000s |
| White light flash trigger mode | Level trigger |
| Gas explosion level | 1~8 level adjustable |
| Fill light distance | 15~30 m |
| Red and White Switch | Switch by frequency |
| Filter form | Window shades |
| Be in common use | |
| Dimensions (L × W × H) | 452*279*279mm |
| Weight | 6.8kg |
| Ingress protection | IP65 |
| Bracket rotation angle | -45° to 45° |
| Power supply | 110 ~ 220Vac |
| Length of tail line | 4.5m |
| Communication interface | RS485 |
| Operating environment | -40°C~70°C, 10~95%RH |

Dimensions



Unlimited New View

Zhejiang Uniview Technologies Co., Ltd.



<http://www.uniview.com>



overseasbusiness@uniview.com; globalsupport@uniview.com



No. 369, Xietong Road, Xixing Sub-district, Binjiang District, Hangzhou City, 310051, Zhejiang Province, China



©2023-2025 Zhejiang Uniview Technologies Co., Ltd. All rights reserved.

*Product specifications and availability are subject to change without notice.

Despite our best efforts, technical or typographical errors may exist in this document. Uniview cannot be held responsible for any such errors and reserves the right to change the contents of this document without prior notice.