

2MP LightHunter Active Deterrence PTZ Camera

IPC6312LFW-AX4C-VG



Features

- High quality image with 2MP, 1/2.7"CMOS sensor
- Ultra 265, H.265, H.264, MJPEG
- Smart intrusion prevention, support false alarm filtering, include Cross Line, Intrusion, Enter Area, Leave Area detection
- automatic selection of best snapshots
- People Counting, support people flow counting and crowd density monitoring, suitable for different statistical scenarios
- LightHunter technology ensures ultra-high image quality in low illumination environment
- Up to 120 dB Optical WDR (Wide Dynamic Range)
- Built-in Mic & Speaker
- Smart IR, Up to 50 m (164 ft) IR distance and 10m (33 ft) warm light distance
- Micro SD, up to 256GB
- IP66 protection
- DC12V or PoE (IEEE 802.3af) power supply

Specifications

| | |
|------------------------------------|--|
| Model | IPC6312LFW-AX4C-VG |
| Camera | |
| Sensor | 1/2.7" CMOS |
| Min. Illumination | Colour: 0.002Lux (F1.6, AGC ON) 0Lux with IR on |
| Day/Night | IR-cut filter with auto switch (ICR) |
| Shutter | Auto/Manual, 1 to 1/100000 s |
| WDR | 120 dB |
| S/N | >52 dB |
| Lens | |
| Focal Length | 2.8 to 12 mm |
| Optical Zoom | 4X |
| Iris | F1.6 |
| Field of View (H) | 105.2° ~ 29.32° |
| Field of View (V) | 52.6° ~ 16.38° |
| Field of View (D) | 108.7° ~ 33.3° |
| Illuminator | |
| Illumination Distance (Warm Light) | 10 m (32.8 ft) |
| Illumination Distance (IR) | 50 m (164.0 ft) |
| Wavelength | 850 nm |
| DORI | |
| DORI Distance (Lens) | 2.8~12(mm) |
| DORI Distance (Detect) | 43.4m~186.2m(142.4ft~610.9ft) |
| DORI Distance (Observe) | 17.4m~74.5m(57.1ft~244.4ft) |
| DORI Distance (Recognize) | 8.7m~37.2m(28.5ft~122.1ft) |
| DORI Distance (Identify) | 4.3m~18.6m(14.1ft~61.0ft) |
| Video | |
| Privacy Mask | Up to 4 areas |
| Video Compression | Ultra 265, H.265, H.264, MJPEG |

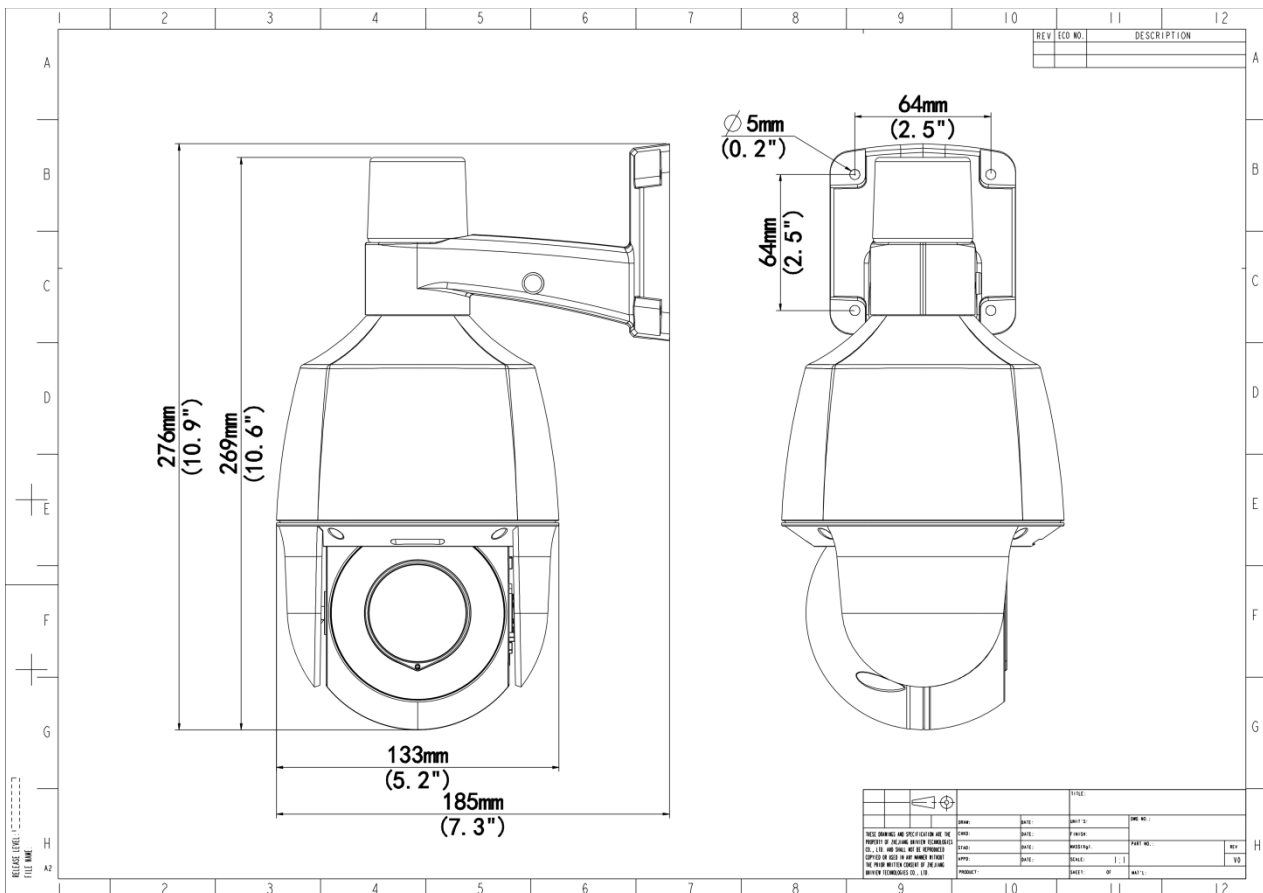
| | |
|----------------------------|---|
| Frame Rate | Main Stream: 2MP (1920*1080), Max 30fps Sub Stream: 720P (1280*720), Max 30fps Third Stream: D1 (720*576), Max 30fps |
| Video Bit Rate | 128 Kbps to 16 Mbps |
| ROI | Support |
| Video Stream | Triple Streams |
| OSD | Up to 8 OSDs |
| PTZ | |
| Pan Range | 0° ~ 345° |
| Pan Speed | 0.1°/s ~ 50°/s |
| Tilt Range | -10° ~ 110° |
| Tilt Speed | 0.1°/s ~ 40°/s |
| Number of Presets | 256 |
| Preset Patrol | 16 patrols, up to 64 presets for each patrol |
| Patrol Stay Time | 120 s to 1800 s |
| Home Position | Support |
| Intelligent | |
| Exception Detection | Object Removed, Object Left Behind, Scene Change, Defocus Detection |
| Auto Tracking | Support, target filtering: human only |
| People Counting | Support People Flow Counting and Crowd Density Monitoring |
| Smart Intrusion Prevention | Cross line detection, intrusion detection, enter area detection, leave area detection (support false alarm filtering and the classification of human, non-motor vehicle and vehicle) |
| Image | |
| Defog | Digital Defog |
| White Balance | Auto, Outdoor, Fine Tune, Sodium Lamp, Locked, Auto2 |
| Digital Noise Reduction | 2D/3D DNR |
| Smart IR | Support |
| Flip | Normal, Flip Vertical, Flip Horizontal, 180° |
| HLC | Support |
| BLC | Support |
| Heatwave Reduction | N/A |

| Events | |
|------------------------|--|
| Basic Detection | Motion Detection, Tampering Alarm, Audio Detection, Object Removed, Object Left Behind, Scene Change, Defocus Detection |
| General Function | Watermark, IP Address Filtering, Access Policy, ARP Protection, RTSP Authentication, User Authentication |
| Audio | |
| Audio Compression | G.711U, G.711A |
| Two-way Audio | Support |
| Suppression | Support |
| Sampling Rate | 16KHZ |
| Storage | |
| Edge Storage | Micro SD, up to 512 GB |
| Network Storage | ANR, NAS (NFS) |
| Network | |
| Protocols | SSH, IGMP, RTP, RTCP, SMTP, IPv4, IPv6, ICMP, ARP, TCP, UDP, DHCP, PPPoE, RTSP, RTMP, DNS, DDNS, NTP, FTP, UPnP, HTTP, HTTPS, 802.1x, SNMP, QoS, SSL/TLS |
| Compatible Integration | ONVIF (Profile S, Profile G, Profile T), API, SDK |
| Client | EZStation, UNV-Link, UNV-Link Pro |
| Web Browser | Plug-in required live view: IE 10+, Chrome 45+, Firefox 52+, Edge 79+ |
| Interface | |
| Built-in Mic | Support |
| Built-in Speaker | Support |
| Network | 1 × RJ45 10 M/100 M Base-TX Ethernet |
| Certification | |
| EMC | CE-EMC (EN55032:2015, EN55024:2010+A1:2015, EN55035:2017, EN61000-3-2:2014, EN61000-3-3:2013) FCC (FCC CFR 47 part15 B, ANSI C63.4-2014) |
| Safety | CE LVD (EN 62368-1:2014+A11:2017) UL (UL 62368-1, 2nd Ed., Issue Date: 2014-12-01) |
| Environment | CE-ROHS (2011/65/EU;(EU)2015/863) |
| Protection | IP66 (IEC 60529:1989+AMD1:1999+AMD2:2013) |

General

| | |
|---------------------|---|
| Power | DC12V(±25%), PoE (IEEE 802.3af) |
| Power Consumption | MAX 15W |
| Power Interface | Ø5.5 mm coaxial power plug |
| Dimensions | 133 x 185 x 276 mm (5.2" x 7.3" x 10.9") (L x W x H) |
| Weight | 0.87 kg (1.92lb) |
| Working Environment | -20 °C to 60 °C (-4 °F to 140 °F), Humidity: ≤ 95% RH (non-condensing) |
| Storage Environment | -40 °C to 70 °C (-40 °F to 158 °F), Humidity: ≤ 95% RH (non-condensing) |
| Surge Protection | 2 KV |
| Reset Button | Support |
| Web Client Language | 22 Languages: Traditional Chinese, English, Simplified Chinese, Polish, German, Russian, French, Korean, Dutch, Czech, Portuguese (Europe), Portuguese (Brazil), Japanese, Thai, Turkish, Spanish (Latin America), Spanish (Europe), Hungarian, Italian, Vietnamese, Arabic, Slovak |

Dimensions



Accessories

TR-JB07-D-IN

Bullet Junction Box(Support wiring from behind)



TR-CM06-D

Alarm Ball Machine Hoisting Bracket



TR-UC08-C

Bullet&Dome Corner Mounting Bracket



TR-A01-IN

NPT 3/4" Waterproof Cable Gland



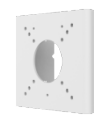
TR-UP06-C-IN

Pole Mounting Bracket for Bullet Junction Box Only



TR-UP06-B-IN

Bullet Pole Mounting Bracket



Zhejiang Uniview Technologies Co., Ltd.

No. 369, Xietong Road, Xixing Sub-district, Binjiang District, Hangzhou City, 310051, Zhejiang Province, China

Email: overseasbusiness@uniview.com; globalsupport@uniview.com

<http://www.uniview.com>

©2023-2025 Zhejiang Uniview Technologies Co., Ltd. All rights reserved.

*Product specifications and availability are subject to change without notice.

*Despite our best efforts, technical or typographical errors may exist in this document. Uniview cannot be held responsible for any such errors and reserves the right to change the contents of this document without prior notice.