

4MP LightHunter WDR Network Bullet Camera

IPC264EA



Features

- High quality image with 4MP, 1/1.8" CMOS sensor
- 2688*1520@60fps in the main stream, offering smoother live video and more details
- Ultra 265, H.265, H.264, MJPEG
- ISP technology, comprehensive improvement in image quality
- Metadata analyse, support human body, motor vehicle and non motor vehicle image capture and attribute collection, realize data visualization management, allow users to get target information for further data analysis
- face detection, support front end face detection comparison, support blocklist and allowlist comparison, increases the concurrent detection number up to 120
- Smart intrusion prevention, support false alarm filtering, include Cross Line, Intrusion, Enter Area, Leave Area detection
- People Counting, support people flow counting and crowd density monitoring, suitable for different statistical scenarios
- LightHunter technology ensures ultra high image quality in low illumination environment
- Up to 140 dB Optical WDR (Wide Dynamic Range)

- DC12V or PoE (IEEE 802.3at) power supply
- Wide voltage range of $\pm 25\%$ in DC

Specifications

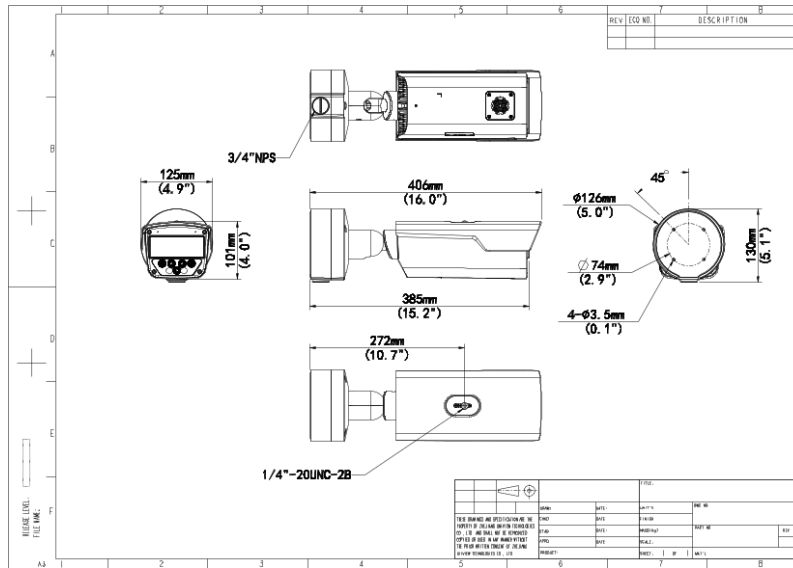
Camera	Description
Sensor	1/1.8" CMOS
Min. Illumination	IPC264EA-AHDZK-I1:Colour:0.0003 lux (F1.2, AGC ON) B/W:0.0001 lux (F1.2, AGC ON) 0 lux with IR IPC264EA-AHDX4K-I1:Colour:0.0005 lux (F1.6, AGC ON) B/W:0.0003 lux (F1.6, AGC ON) 0 lux with IR
Day/Night	IR-cut filter with auto switch (ICR)
Shutter	Auto/Manual, 1 ~ 1/100000s
WDR	140dB
S/N	>56dB
Lens	Description
Focal Length	IPC264EA-AHDZK-I1:2.8 ~ 12mm IPC264EA-AHDX4K-I1:8 ~ 32mm
Optical Zoom	4X
Iris	IPC264EA-AHDZK-I1:F1.2 IPC264EA-AHDX4K-I1:F1.6
Iris Type	P-iris
Field of View (H)	IPC264EA-AHDZK-I1:106.6°~ 51.3° IPC264EA-AHDX4K-I1:42.6°~ 15.2°
Field of View (V)	IPC264EA-AHDZK-I1:56.9°~ 28.6° IPC264EA-AHDX4K-I1:23.5°~ 8.9°
Field of View (D)	IPC264EA-AHDZK-I1:131.1°~ 63.1° IPC264EA-AHDX4K-I1:52.4°~ 17.9°
DORI	Description
DORI Distance(Detect)	IPC264EA-AHDZK-I1:68.0m(223.0ft)~166.2m(545.2ft) IPC264EA-AHDX4K-I1:124.1m(407.3ft)~496.6m(1629.1ft)

DORI Distance(Observe)	IPC264EA-AHDZK-I1:27.2m(89.2ft)~66.5m(218.1ft) IPC264EA-AHDX4K-I1:49.7m(162.9ft)~198.6m(651.6ft)
DORI Distance(Recognize)	IPC264EA-AHDZK-I1:13.6m(44.6ft)~33.2m(109.0ft) IPC264EA-AHDX4K-I1:24.8m(81.5ft)~99.3m(325.8ft)
DORI Distance(Identify)	IPC264EA-AHDZK-I1:6.8m(22.3ft)~16.6m(54.5ft) IPC264EA-AHDX4K-I1:12.4m(40.7ft)~49.7m(162.9ft)
Illuminator	Description
Illumination Distance(IR)	100m
Wavelength	850nm
IR On/Off Control	Auto/Manual
Video	Description
Video Compression	Ultra 265; H.265; H.264; MJPEG
Frame Rate—Main Stream	4MP(2688*1520), Max 60fps
Frame Rate—Sub Stream	2MP(1920*1080), Max 60fps
Frame Rate-Third Stream	D1 (720*576), Max 60fps
Frame Rate Recommendation	2688*1520@60fps+1080P@60fps+D1@60fps
Video Bit Rate	128 Kbps ~ 16 Mbps
ROI	Up to 8 areas
Video Stream	Triple Streams
OSD	Up to 10 OSDs
Privacy Mask	Up to 8 areas (8 blacks / 8 mosaics)
Image	Description
White Balance	Auto&Outdoor&Fine Tune&Sodium Lamp&Locked&Auto2
Digital Noise Reduction	2D/3D DNR
Smart IR	Support
Flip	Normal&Flip Vertical&Flip Horizontal&180°&90°Clockwise&90°Anti-clockwise
HLC	Support
Defog	Digital Defog
Intelligent	Description
Metadata Analyse	Support human body, , motor vehicle and non-motor vehicle image capture and attribute collection
Recognition	face detection: Max support 16 face libraries; Max supports 100000 faces in face library

Smart Intrusion Prevention	Support False Alarm Filtering: Cross Line Detection, Intrusion Detection, Enter Area Detection, Leave Area Detection
People Counting	Support People Flow Counting and Crowd Density Monitoring
Exception Detection	IPC264EA-AHDZK-I1:Object Removed; Object Left Behind; Scene Change; Defocus Detection IPC264EA-AHDX4K-I1:Object Removed; Object Left Behind
Events	Description
Basic Detection	Motion detection&Audio detection&Tampering alarm
General Function	Watermark&IP Address Filtering&Access Policy&ARP Protection&RTSP Authentication&User Authentication&HTTP authentication&Alarm input&Alarm output
Audio	Description
Audio Compression	G.711U&G.711A
Audio Bitrate	128 Kbps
Sampling Rate	16KHZ
Storage	Description
Edge Storage	Micro SD, up to 512 GB
Network Storage	ANR&NAS(NFS)
Network	Description
Protocols	IGMP, RTP, SMTP, IPv4, IPv6, ICMP, ARP, TCP, UDP, DHCP, PPPoE, RTSP, RTCP, RTMP, DNS, DDNS, NTP, FTP, UPnP, HTTP, HTTPS, 802.1x, SNMP, QoS, SSL/TLS, SSH, TLS1.3
Compatible Integration	API&SDK&ONVIF (Profile S, Profile G, Profile T)
User/Host	Up to 32 users. 3 user levels: administrator, common user and operator
Security	Password protection&Strong password&HTTPS encryption&Export operation logs&Basic and digest authentication for RTSP&Digest authentication for HTTP&TLS 1.2&WSSE and digest authentication for ONVIF
Client	EZStation& EZLive&EZView
Web Browser	Plug-in required live view: IE 10 and above, Chrome 45 and above, Firefox 52 and above, Edge 79 and above&Plug-in free live view: Chrome 57.0 and above, Firefox 58.0 and above, Edge 16 and above
Interface	Description
Audio I/O	2/1
Alarm I/O	3/2
Serial Port	1 channel RS485 interface

Built-in Mic	Support, built-in mic*2
Built-in Speaker	Support
Network	1 * RJ45 10M/100M/1000M Base-TX Ethernet
Certification	Description
EMC	CE-EMC (EN 55032: 2015+A1:2020,EN 61000-3-3: 2013+A1: 2019,EN IEC 61000-3-2: 2019+A1: 2021,EN 55035: 2017+A11:2020) FCC (FCC CFR 47 part15 B, ANSI C63.4-2014)
Safety	CE LVD (EN 62368-1:2014+A11:2017) UL (UL 62368-1, 2nd Ed., Issue Date: 2014-12-01)
Environment	CE-RoHS (2011/65/EU;(EU)2015/863); WEEE (2012/19/EU); Reach (Regulation (EC) No 1907/2006)
Protection	IP67 (IEC 60529:1989+AMD1:1999+AMD2:2013) IK10 (IEC 62262:2002)
General	Description
Power	DC12V(±25%) , PoE+ (IEEE 802.3at)
Power Consumption	IPC264EA-AHDZK-I1:16W IPC264EA-AHDX4K-I1:19W
Power Interface	Ø 5.5mm coaxial power plug
Dimensions	406 x 126 x 130mm(16.0" x 5.0" x 5.1")
Weight	IPC264EA-AHDZK-I1:1.92kg(4.23lb) IPC264EA-AHDX4K-I1:1.86kg(4.10lb)
Working Environment	-40 °C ~ 60 °C (-40 °F ~ 140 °F), Humidity: ≤95% RH (non-condensing)
Surge Protection	6KV
Reset Button	Support
Heater	Support

Dimensions



Zhejiang Uniview Technologies Co., Ltd.

No. 369, Xietong Road, Xixing Sub-district, Binjiang District, Hangzhou City, 310051, Zhejiang Province, China

Email: overseasbusiness@uniview.com; globalsupport@uniview.com

<http://www.uniview.com>

©2024 Zhejiang Uniview Technologies Co., Ltd. All rights reserved.

*Product specifications and availability are subject to change without notice.

*Despite our best efforts, technical or typographical errors may exist in this document. Uniview cannot be held responsible for any such errors and reserves the right to change the contents of this document without prior notice.