

# 8MP 42X LightHunter Laser Wiper Network PTZ Camera IPC6828EL-X42-W-VH1



## Features

- 3840 × 2160@30 fps in the main stream
- 42X optical zoom
- Smart intrusion prevention, supports false alarm filtering, including cross line, intrusion, enter area, leave area detection
- automatic selection of best snapshots, supports face detection masked area
- supports front-end , supports blocklist and allowlist comparison
- People counting, supports people flow counting and crowd density monitoring
- Multi-target detection, supports human body, motor vehicle and non-motor vehicle image capture and attribute collection, realizes data visualization management, allows users to get target information for further data analysis
- Supports optical defog, self-adaptive defog
- LightHunter technology ensures ultra-high image quality in low illumination environment
- IR illumination: 500 m (1640 ft) distance, proportional to optical zoom of camera module
- Gyroscope stabilization for stable picture
- Supports wiper
- Power supply: AC 24 V±25%, DC 24 V±25%, PoE
- Alarm I/O: 7/2, audio I/O: 1/1
- IP67 ingress protection

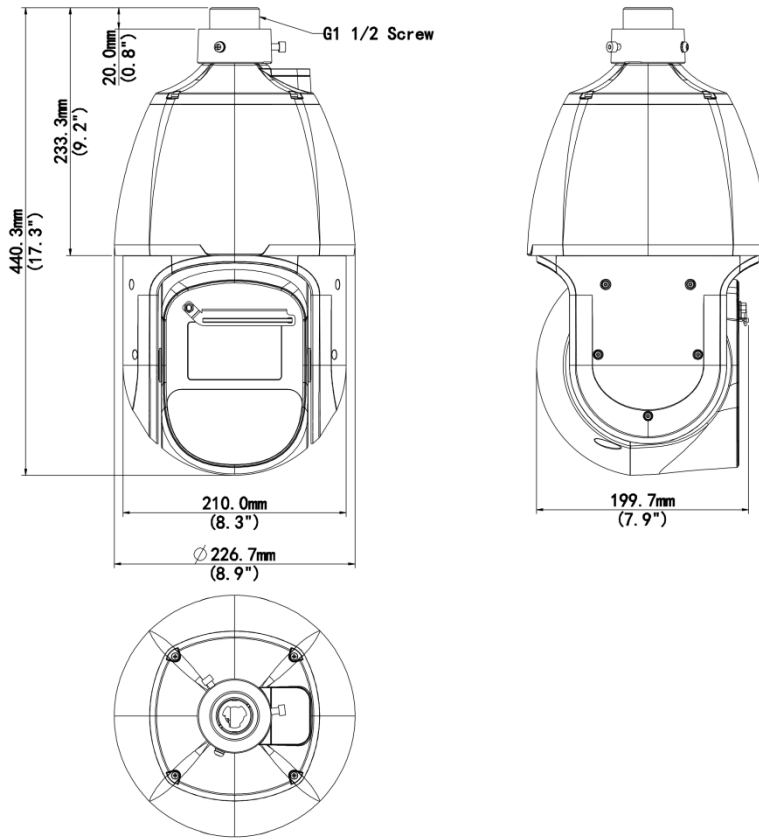
## Specifications

Model	IPC6828EL-X42-W-VH1
<b>Camera</b>	
Sensor	1/1.8" CMOS
Min. Illumination	Color: 0.0005 Lux (F1.2, AGC ON), 0 Lux with IR
Day/Night	IR-cut filter with auto switch (ICR)
Shutter	Auto/Manual, 1 to 1/100000 s
WDR	120 dB
S/N	>56 dB
<b>Lens</b>	
Focal Length	6.0~252mm
Digital Zoom	16X
Optical Zoom	42X
Iris	F1.2 to F4.6
Field of View (H)	57.96° to 2.15°
Field of View (V)	34.61° to 1.21°
Field of View (D)	71.30° to 2.54°
<b>DORI</b>	
DORI Distance (Detect)	155.5 m to 4829.4 m (510.1 ft. to 15844.5 ft.)
DORI Distance (Observe)	62.2 m to 1931.8 m (204.0 ft. to 6337.8 ft.)
DORI Distance (Recognize)	31.1 m to 965.9 m (102.0 ft. to 3168.9 ft.)
DORI Distance (Identify)	15.5 m to 482.9 m (51.0 ft. to 1584.4 ft.)
<b>Video</b>	
Privacy Mask	24 areas, up to 8 areas per scene
Video Compression	Ultra 265, H.265, H.264, MJPEG
Frame Rate	Main Stream: 8 MP (3840 × 2160), max. 30 fps Sub Stream: 1080P (1920 × 1080), max. 30 fps Third Stream: D1 (720 × 576), max. 30 fps
Video Bit Rate	128 Kbps to 16 Mbps
U-code	Support
ROI	Support
Video Stream	Triple streams
OSD	Up to 10 OSDs
<b>Intelligent</b>	
Auto Tracking	Support, target filtering: human, non-motor vehicle and vehicle
Multi-target Detection	Support
Smart Intrusion Prevention	Cross line detection, intrusion detection, enter area detection, leave area detection (support false alarm filtering and the classification of human, non-motor vehicle and vehicle)
People Counting	Support people flow counting and crowd density detection
<b>Image</b>	
White Balance	Auto, Outdoor, Fine tune, Sodium lamp, Locked, Auto2
Digital Noise Reduction	2D/3D DNR

Flip	Normal, Flip vertical, Flip horizontal, 180°
HLC	Support
BLC	Support
Defog	Digital defog, Optical defog
EIS	Support
Image Stabilization	EIS (Gyroscope)
<b>Events</b>	
Basic Detection	Motion detection, Ultra motion detection, Tampering alarm, Audio detection, Object removed, Object Left Behind
General Function	Watermark, IP address filtering, Access policy, ARP protection, RTSP authentication, User authentication, Alarm input, Alarm output
<b>Audio</b>	
Audio Compression	G.711U, G.711A
Audio Bitrate	128 Kbps
Two-way Audio	Support
Suppression	Support
Sampling Rate	16 kHz
<b>Storage</b>	
Edge Storage	MicroSD, up to 512 GB
Network Storage	ANR, NAS (NFS)
<b>Illuminator</b>	
IR On/Off Control	Auto/Manual
Wavelength	850 nm
Illumination Distance (IR)	500m
<b>Network</b>	
Protocols	SSH, IGMP, RTP, RTCP, SMTP, IPv4, IPv6, ICMP, ARP, TCP, UDP, DHCP, PPPoE, RTSP, RTMP, DNS, DDNS, NTP, FTP, UPnP, HTTP, HTTPS, 802.1x, SNMP, QoS, SSL/TLS
Compatible Integration	ONVIF (Profile S, Profile G, Profile T, Profile M), API, SDK
User/Host	Up to 32 users. 3 user levels: administrator, common user and operator
Security	Password Protection, Strong Password, HTTPS Encryption, Export Operation Logs, Basic and Digest Authentication for RTSP, Digest Authentication for HTTP, TLS 1.2, TLS 1.3, WSSE and Digest Authentication for ONVIF
Client	EZStation, UNV-Link, UNV-Link Pro
Web Browser	Plug-in required live view: IE 10+, Chrome 45+, Firefox 52+, Edge 79+, Plug-in free live view: Chrome 57+, Firefox 58+, Edge 16+
<b>PTZ</b>	
Number of Presets	1024
Preset Patrol	16 patrols, up to 64 presets for each patrol
Route Patrol	16 patrols, up to 32 actions for each patrol
Recorded Patrol	16 patrols, up to 128 actions for each patrol
Patrol Stay Time	15 s to 1800 s
Preset Image Freeze	Support
Home Position	Support

Pan Range	360° (endless)
Tilt Range	-15° to 90° (auto flip)
Pan Speed	0.1°/s to 180°/s
Tilt Speed	0.1°/s to 180°/s
<b>Interface</b>	
Audio I/O	1 Input: impedance 1 k $\Omega$ , amplitude 2.5 V [p-p], 1 Output: impedance 600 $\Omega$ , amplitude 2.5 V [p-p]
Alarm I/O	7/2
Serial Port	1 * RS485
Network	1 $\times$ RJ45 10 M/100 M Base-TX Ethernet
Video Output	1 BNC (for debugging)
<b>Certification</b>	
EMC	CE-EMC (EN 55032: 2015+ A11: 2020; EN IEC 61000-3-2: 2019; EN 61000-3-3: 2013+ A: 2019; EN 55035: 2017+ A11: 2020)
Safety	CE LVD (EN IEC 62368-1: 2020+ A11: 2020)
Environment	CE-ROHS (2011/65/EU;(EU)2015/863)
Protection	IP67 (IEC 60529:1989+AMD1:1999+AMD2:2013)
<b>General</b>	
Power	AC 24 V $\pm$ 25%, DC 24 V $\pm$ 25%, PoE (IEEE 802.3bt)
Power Consumption	Max. 67 W
Power Interface	Wires with cold-pressed terminal
Dimensions	$\varnothing$ 226.7 mm $\times$ 440.3 mm ( $\varnothing$ 8.93" $\times$ 17.33") ( $\varnothing \times$ H)
Weight	6.9 kg (15.21 lb.)
Working Environment	-40 °C to 70 °C (-40 °F to 158 °F), Humidity: $\leq$ 95% RH (non-condensing)
Storage Environment	-40 °C to 70 °C (-40 °F to 158 °F), Humidity: $\leq$ 95% RH (non-condensing)
Surge Protection	6 KV
Reset Button	Support
Heater	Support
<b>Configurable</b>	
P/N	Support

# Dimensions



# Accessories

**TR-UF45-A-IN**

Dome Indoor Ceiling Mounting Pedestal



**TR-SE45-A-IN**

Dome Ceiling Mounting Pole 500



**TR-UC08-B-IN**

Aluminium Alloy Corner Mounting Bracket



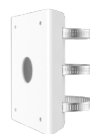
**TR-UC08-A-IN**

Dome Corner Mounting Bracket



**TR-UP08-B-IN**

Aluminium Alloy Pole Mounting Bracket



**TR-UP08-A-IN**

Dome Pole Mounting Bracket



TR-WE45-B-IN  
Dome Gooseneck Bracket



TR-JB12-IN  
Dome Junction Box



TR-WE45-A-IN  
Long Wall Mounting Bracket for Dome



TR-CE45-IN  
Dome Indoor Ceiling Mounting Bracket



TR-SE45-IN  
Dome Ceiling Mounting Pole 200



# Unlimited New View

浙江宇视科技有限公司



<http://www.uniview.com>



[overseasbusiness@uniview.com](mailto:overseasbusiness@uniview.com); [globalsupport@uniview.com](mailto:globalsupport@uniview.com)



South Tower, Building 10, Wanlun Science Park, 88 Jiangling Road, Hangzhou, P.R.China



©2023-2025 Zhejiang Uniview Technologies Co., Ltd. All rights reserved.

\*Product specifications and availability are subject to change without notice.

虽然我司试图在本资料中提供准确的信息，但不保证资料的内容不含有技术性误差或印刷性错误，为此我司对本资料中的不准确不承担任何责任。我司保留在没有通知或提示的情况下对本资料的内容进行修改的权利。