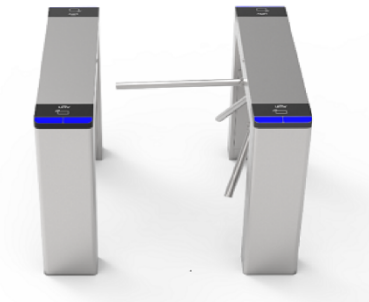


OFG5311 Tripod Turnstile

OFG5311



Overview

OFG5311 tripod turnstile is designed for personnel access control. It has a simple and elegant design, and can be used not only with UNV access control devices to realize precise access control by utilizing UNV access control technologies, but also with UNV smart terminals to resolve issues plaguing traditional barrier gates such as illegal access using credentials of authorized persons. This product can be widely used in office buildings, government agencies, airports, scenic spots, stadiums, schools and other important places to achieve smart, safe and fast access control.

Features

- Pedestrian-only access.
- All-round security design
- Automatic door opening for unobstructed access in case of power failure.
- Electric leakage protection for pedestrian safety.
- LED indicates the passing direction and passing status, preventing reverse access.
- Highly reliable hardware design
- Pedestals of 1.0mm thick on the side and 1.2mm thick on the top, sturdy and reliable, simple and elegant.
- IP54.
- Solenoid valve unlocking design provides long lifetime, high reliability, and fast door opening.
- Intelligent behavior detection and access control
- Anti-rush: Remains closed unless an opening signal is received.
- Anti-impact: Able to withstand illegal external impacts for controller protection.
- Automatic reset: Automatically cancels the passing permission if a person does not pass through within the valid passing duration.

- Powerful control center
- STC CPU chip ensures long lifetime and high stability.
- MCBF 3 million times.
- Complete application solution
- With smart terminals connected, multiple authentication modes are available, such as password and card.

Specifications

Model	OFG5311-R-C	OFG5311-N-C
Hardware Specification		
Lane width	550mm	
Barrier material	Stainless steel round rod	
Dimensions (L×W×H)	1200mm*220mm*980mm	
Weight	45KG (empty pedestal: 30KG)	
Pedestal material	1.0mm thick on the side, 1.2mm thick on the top	
Power supply	AC100-240V, 50Hz to 60Hz	None
IO	IO*1	None
Indicator color	Blue	None
Specification index		
Throughput	20 to 30 persons per minute	
Operating environment	Operating humidity:5% to 80%; Operating humidity:20°C to +60°C (temperature control module required)	
Power consumption	40W	None
MCBF	3 million times	
Fire alarm linkage	Auto fall after power failure, manual lift after power on, auto reset after impacts	

Ordering Info

Product Model	Description
OFG5311-N-C	Outdoor Tripod Turnstile(Empty Case)
OFG5311-R-C	Outdoor Tripod Turnstile(Right Machine)

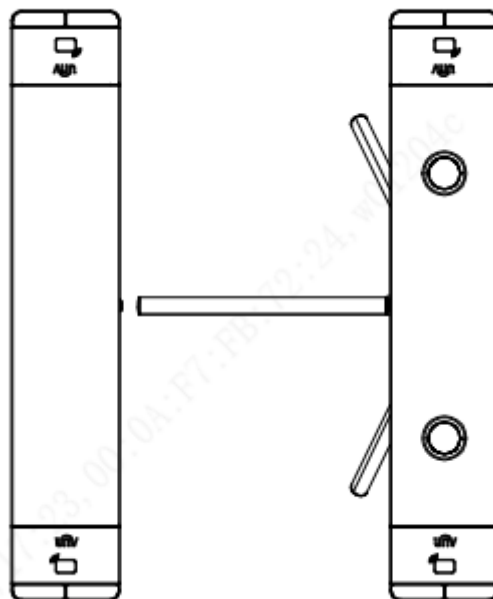
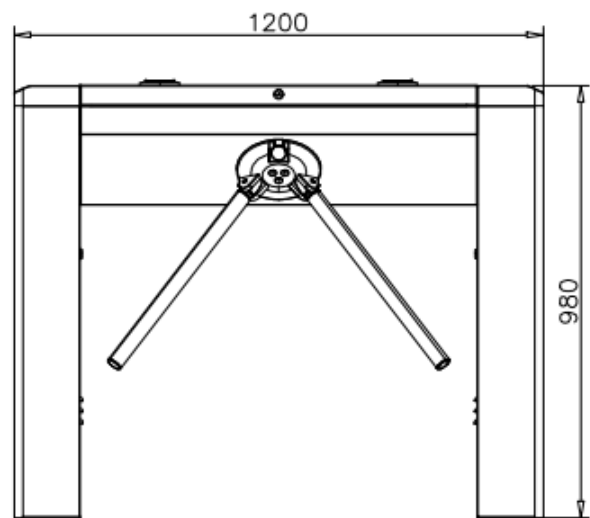
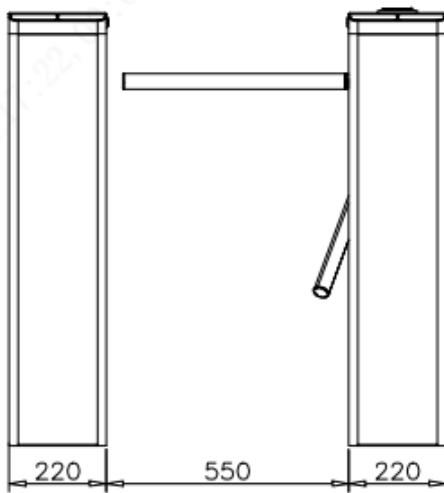
Accessories

OEC-R3H-M

Wall Mounted Mifare Card Reader



Dimensions



Notes

Maintenance guidelines:

1. Select stainless steel based on the environment. In general environments, 304 stainless steel is suitable. In harsher environments, such as near the sea or in chemical plants, 316 stainless steel is recommended.
2. Maintain cleanliness and dryness.
3. When dirt is present on the surface, use non-woven fabric and alcohol for cleaning.
4. For rust spots, apply a rust remover (e.g., BRASSO or similar products) to the affected area. Use non-woven fabric to wipe in the direction of the texture. If not sufficiently clean, repeat the process using household alcohol. After cleaning, apply a maintenance fluid (e.g., WD40 or similar products) and wipe evenly following the texture.
5. Perform regular maintenance using non-woven fabric and stainless steel maintenance agents. The first maintenance should be conducted after one week. Under normal conditions, maintenance is recommended once a month. In harsh environments (e.g., near the sea or in chemical plants), maintenance should be performed weekly.

Zhejiang Uniview Technologies Co., Ltd.

No. 369, Xietong Road, Xixing Sub-district, Binjiang District, Hangzhou City, 310051, Zhejiang Province, China (Zhejiang) Pilot Free Trade Zone, China

Email: overseasbusiness@uniview.com; globalsupport@uniview.com

<http://www.uniview.com>

©2024-2025 Zhejiang Uniview Technologies Co., Ltd. All rights reserved.

*Product specifications and availability are subject to change without notice.

*Despite our best efforts, technical or typographical errors may exist in this document. Uniview cannot be held responsible for any such errors and reserves the right to change the contents of this document without prior notice.