

2MP LightHunter PoC VF IR Bullet Analog Camera

UAC-B312-ADPZMS



Overview

UAC-B312-ADPZMS is a 2MP LightHunter PoC VF IR Bullet Analog Camera with a high-performance 1/2.8-inch CMOS sensor and 3D noise reduction technology. It supports TVI/AHD/CVI/CVBS, which effectively enhances product adaptability and diversity of networking solutions. With SYV-75-3 or other coaxial cable types, the camera can achieve low-cost, long-distance, and anti-interference mega-pixel HD video transmission without time delay. In addition, the PoC power supply system can achieve video and power transmission on one cable, simplifying wiring and installation work, and improving structural flexibility. It supports IR-cut filter with auto-switch (ICR) and provides color images at daytime and black/white images at night. The camera also supports audio input and synchronous transmission of audio and video.

Features

- * Coaxial cables are recommended for video signal transmission, such as SYV-75-3, SYV-75-5, or RG59 cables.
- * To use the varifocal analog camera, make sure it is used with our XVR301-04U3-P4, and the XVR must be upgraded to the latest firmware version.
- High quality imaging with 2MP resolution
- 2.8mm-12mm motorized lens
- TVI/AHD/CVI/CVBS
- Supports IR-cut filter with auto-switch (ICR)

- LightHunter monitoring with high-sensitivity sensor
- 3D noise reduction technology delivers clean and sharp images
- Supports 180° horizontal flip, 180° vertical flip
- OSD configuration menu, easy to operate
- IP67 waterproof and dustproof design, high reliability
- OSD configuration menu in 11 languages
- Built-in microphone for high quality audio transmission via coaxial cables
- Support PoC power supply

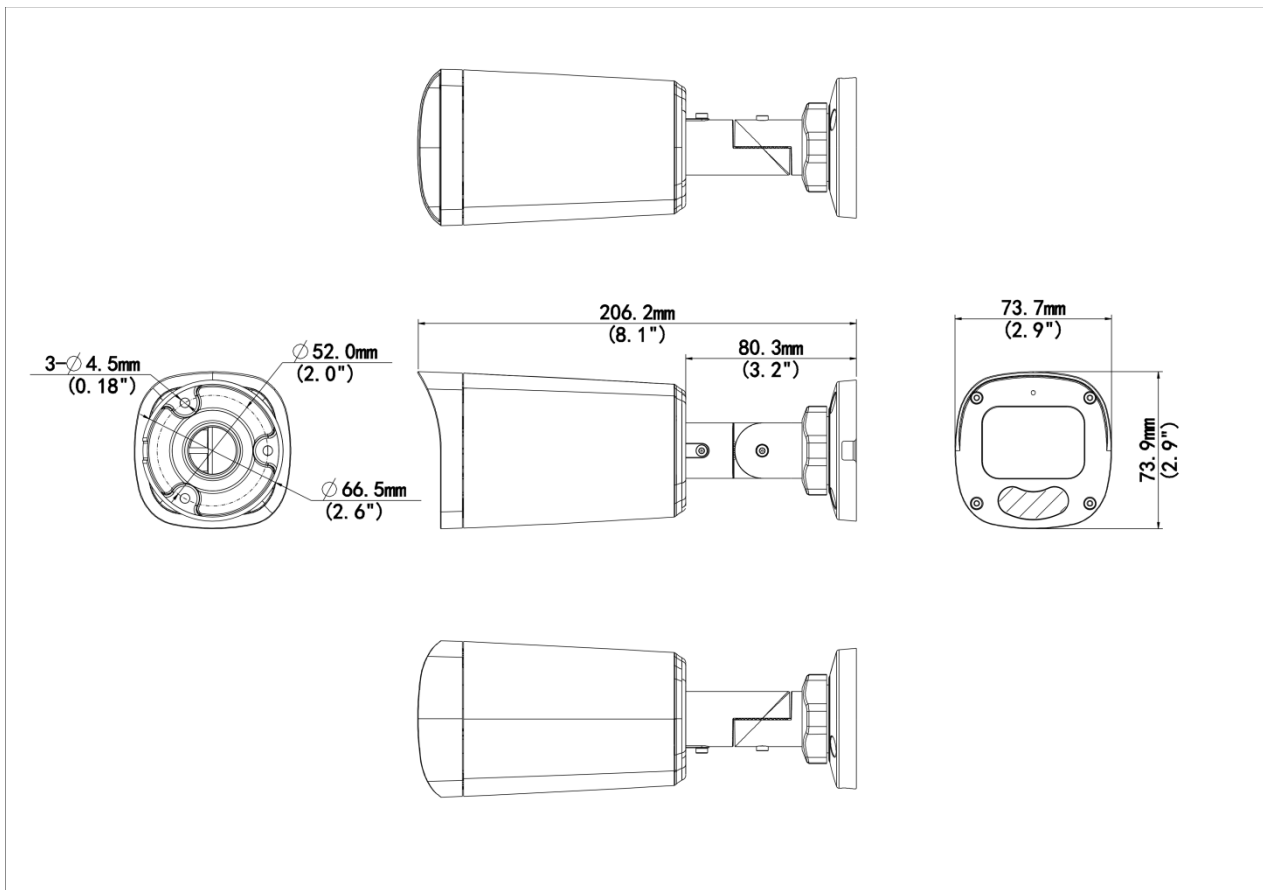
Specifications

Model	UAC-B312-ADPZMS
Sensor	
Pixel	2 MP
Sensor Size	1/2.8" CMOS
Min. Illumination	0.005 lux (F1.6, AGC ON) 0 lux (IR on)
Lens	
Focus	2.8 to 12 mm
Lens Mount	Φ14
Angle of View (H)	98.5° ~ 33.0°
Angle of View (V)	54.5° ~ 19.3°
Angle of View (D)	114.0° ~ 39.2°
Illuminator	
Illuminator Number	Three IR illuminators
Illumination Distance	50m
Lifetime	≥ 60000 hours
Video	
Resolution	1080P: 1920(H)×1080(V) 720P: 1280(H) ×720(V)

Frame Rate	CVI: 1080P@25fps (default), 1080P@30fps; 720P@25fps, 720P@30fps TVI: 1080P@25fps, 1080P@30fps; 720P@25fps, 720P@30fps AHD: 1080P@25fps, 1080P@30fps; 720P@25fps, 720P@30fps CVBS: PAL, NTSC
Shutter Time	PAL: 1/25 s-1/50000 s, NTSC: 1/30 s-1/50000 s
Image	
Exposure Mode	Four modes: Global (default), BLC, HLC, WDR
Day/Night	Three modes: Auto (default), Day, Night
Digital Noise Reduction	2D/3D
White Balance	Two modes: Auto (default), Manual
WDR	120 dB WDR
Smart IR	Support
Flip	Supports 180°horizontal flip, 180°vertical flip
Digital Defog	N/A
Audio	
Built-in Mic	Support
Camera Audio	CVI: 1080P@25fps, 1080P@30fps * Audio function of the POC series camera is only available when the camera is used with our POC series XVRs.
Interface	
Power Interface	5.5 mm Power Interface
Video Output	BNC, supports TVI/AHD/CVI/CVBS
Operating Environment	
Temperature	-30 °C to 60 °C (-22 °F to 140 °F)
Humidity	≤ 95% RH (non-condensing)
Surge Protection	4 KV for power, 4 KV for video output interfaces
General	
Power	DC 12 V±25%/PoC
Power Consumption	4.5 W (DC 12 V, IR on)
Mount	Corner Mount, Pole Mount
Dimensions	206mm*74mm*74mm (L*W*H)
Material	Metal

Weight	550g(1.21lb)
OSD Menu Language	11 Languages: English, German, Spanish (Latin America), French, Italian, Japanese, Korean, Polish, Portuguese (Brazil), Russian, Turkish
Certification	
EMC	CE-EMC (EN 55032, EN 61000-3-3, EN IEC 61000-3-2, EN 55035), FCC (FCC 47 CFR part15 B)
Safety	CE-LVD (EN 62368-1)
Environment	CE-RoHS (2011/65/EU; (EU) 2015/863); WEEE (2012/19/EU)
Protection	IP67 (IEC 60529)

Dimensions



Zhejiang Uniview Technologies Co., Ltd.

No. 369, Xietong Road, Xixing Sub-district, Binjiang District, Hangzhou City, 310051, Zhejiang Province, China (Zhejiang) Pilot Free Trade Zone, China

Email: overseasbusiness@uniview.com; globalsupport@uniview.com

<http://www.uniview.com>

©2025 Zhejiang Uniview Technologies Co., Ltd. All rights reserved.

*Product specifications and availability are subject to change without notice.

*Despite our best efforts, technical or typographical errors may exist in this document. Uniview cannot be held responsible for any such errors and reserves the right to change the contents of this document without prior notice.