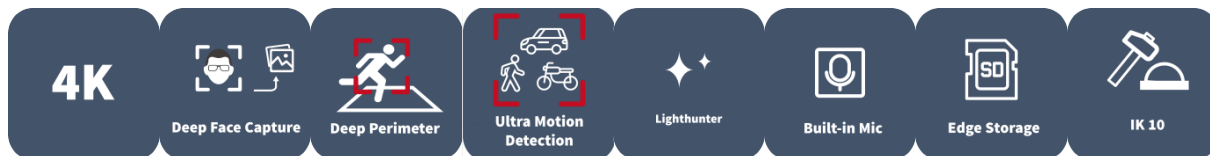


# 8MP HD Intelligent IR Fixed Dome Network Camera

IPC328SB-ADF28(40)K-I0



## Features

- High quality image with 8MP, 1/2.7"CMOS sensor
- 8MP (3840\*2160)@20fps; 5MP (3072\*1728)@30/25fps; 4MP (2560\*1440)@30/25fps; 2MP (1920\*1080) @30/25fps
- Ultra 265, H.265, H.264, MJPEG
- Intelligent perimeter protection, include cross line, intrusion, enter area, leave area detection
- Based on target classification, smart intrusion prevention significantly reduce false alarm caused by leaves, birds and lights etc., accurately focus on human and, motor vehicle and non-motor vehicle
- Intelligent face detection
- Intelligent People Flow Counting and Crowd Density Monitoring
- 120dB true WDR technology enables clear image in strong light scene
- Support 9:16 Corridor Mode
- Alarm:1 in/1 out, Audio: 1 in/1 out
- Built-in Mic
- Smart IR, up to 30m (98ft) IR distance
- Supports 512 G Micro SD card

- IK10 vandal resistant and IP67 protection

## Specifications

Model	IPC328SB-ADF28K-I0	IPC328SB-ADF40K-I0
<b>Camera</b>		
Sensor	1/2.7" CMOS	
Min. Illumination	Colour: 0.003 lux ( F1.6, AGC ON) 0 Lux with light	
Day/Night	IR-cut filter with auto switch (ICR)	
Shutter	Auto/Manual, 1 ~ 1/100000s	
Adjustment Angle	Pan: 3° ~ 360°, Tilt: 0° ~ 68°, Rotate: 3° ~ 360°	
S/N	>52 dB	
WDR	120 dB	
<b>Lens</b>		
Focal Length	2.8 mm	
Iris	F1.6	
Field of View (H)	112.4°	
Field of View (V)	60.1°	
Field of View (D)	146.1°	
Lens Type	Fixed	
<b>DORI</b>		
DORI Distance (Lens)	2.8mm	
DORI Distance (Detect)	84.0m(275.6ft)	
DORI Distance (Observe)	33.6m(110.2ft)	
DORI Distance (Recognize)	16.8m(55.1ft)	
DORI Distance (Identify)	8.4m(27.6ft)	
<b>Illuminator</b>		
Supplemental Light	IR	
Illumination Distance (IR)	30 m (98.4 ft)	
Light On/Off Control	Auto/Manual	

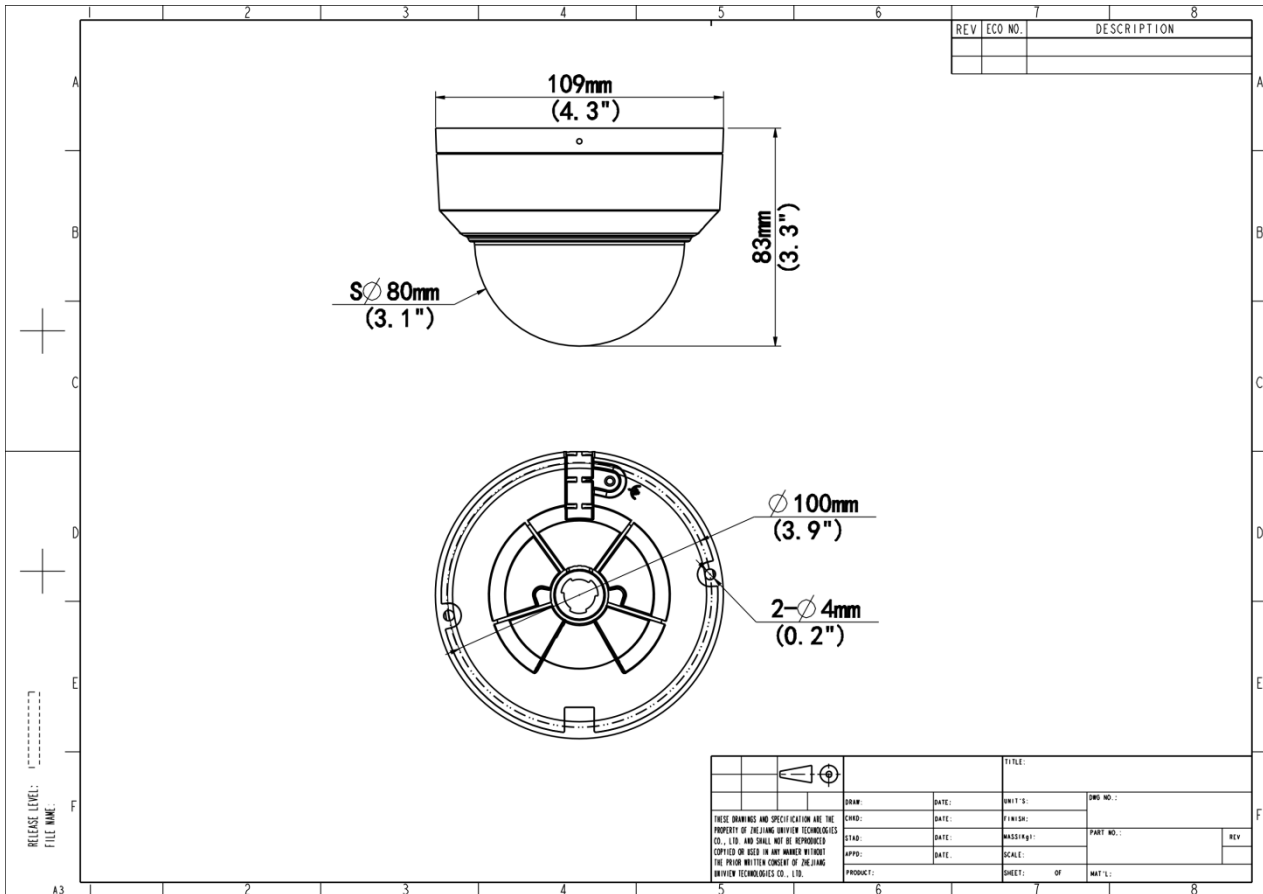
Wavelength	850 nm	
<b>Video</b>		
Video Compression	Ultra 265 H.265 H.264 MJPEG	
H.264 Code Profile	Baseline profile, Main profile, High profile	
Frame Rate	Main Stream: 8MP (3840*2160), Max 20fps; 5MP (3072*1728), Max 30fps; 4MP (2560*1440), Max 30fps; 1080P (1920*1080), Max 30fps; Sub Stream: 1080P (1920*1080), Max 30fps; 720P (1280*720), Max 30fps; D1 (720*576), Max 30fps; 640*360, Max 30fps; 2CIF(704*288), Max 30fps; CIF(352*288), Max 30fps; Third Stream: D1 (720*576), Max 30fps; 640*360, Max 30fps; 2CIF(704*288), Max 30fps; CIF(352*288), Max 30fps;	
Video Bit Rate	128 Kbps to 16 Mbps	
U-code	Support	
OSD	Up to 8 OSDs	
Privacy Mask	Up to 4 areas	
ROI	Support	
Video Stream	Triple Streams	
<b>Image</b>		
White Balance	Auto Outdoor Fine Tune Sodium Lamp Locked Auto2	
Smart IR	Support	
Digital Noise Reduction	2D/3D DNR	
Flip	Normal Flip Vertical Flip Horizontal 180° 90° Clockwise 90° Anti-clockwise	
Dewarping	Support	
HLC	Support	
BLC	Support	
Defog	Digital Defog	

Intelligent		
Smart Intrusion Prevention	Cross line detection, intrusion detection, enter area detection, leave area detection (support false alarm filtering and the classification of human, non-motor vehicle and vehicle)	
Statistical Analysis	N/A	
People Counting	Support People Flow Counting and Crowd Density Monitoring	
Events		
Basic Detection	Motion Detection Ultra Motion Detection Tampering Alarm Audio Detection	
General Function	Watermark IP Address Filtering Access Policy ARP Protection RTSP Authentication User Authentication HTTP Authentication	
Audio		
Audio Compression	G.711U G.711A	
Audio Bitrate	64 Kbps	
Two-way Audio	Support	
Suppression	Support	
Sampling Rate	8 kHz	
Storage		
Edge Storage	Micro SD, up to 512 GB	
Network Storage	ANR NAS (NFS)	
Network		
Protocols	IPv4 IPv6 IGMP ICMP ARP TCP UDP DHCP RTP RTSP RTCP RTMP DNS DDNS NTP FTP UPnP HTTP HTTPS SMTP SSL/TLS 802.1x SNMP PPPoE	
Compatible Integration	ONVIF (Profile S, Profile G, Profile T, Profile M) API SDK	

User/Host	Up to 32 users. 3 user levels: administrator, common user and operator	
Security	Password Protection Strong Password HTTPS Encryption Export Operation Logs Basic and Digest Authentication for RTSP Digest Authentication for HTTP TLS 1.2 WSSE and Digest Authentication for ONVIF	
Client	UNV-Link UNV-Link Pro EZStation	
Web Browser	Plug-in required live view: IE 10+, Chrome 45+, Firefox 52+, Edge 79+ Plug-in free live view: Chrome 57+, Firefox 58+, Edge 16+	
<b>Interface</b>		
Audio I/O	1 Input: impedance 35 k $\Omega$ , amplitude 2 V [p-p] 1 Output: impedance 600 $\Omega$ , amplitude 2 V [p-p]	
Alarm I/O	1/1	
Serial Port	N/A	
Built-in Mic	Support	
Built-in Speaker	N/A	
WIFI	N/A	
Network	1 $\times$ RJ45 10 M/100 M Base-TX Ethernet	
Video Output	N/A	
<b>Certification</b>		
EMC	CE-EMC (EN 55032, EN 61000-3-3, EN IEC 61000-3-2, EN 55035) FCC (FCC 47 CFR part15 B)	
Safety	CE LVD (EN 62368-1) CB (IEC 62368-1) UL/CUL (UL 62368-1, CAN/CSA C22.2 No. 62368-1)	

Environment	CE-RoHS (2011/65/EU;(EU)2015/863); WEEE (2012/19/EU);	
Protection	IP67 (IEC 60529) IK10 (IEC 62262)	
<b>General</b>		
Power	DC 12V±25%, PoE (IEEE 802.3af)	
Power Consumption	Max 6.0W	
Power Interface	Ø5.5 mm coaxial power plug	
Dimensions	Ø109 x 83mm (Ø4.3" x 3.3") (Ø x H)	
Weight	0.43kg (0.99lb)	
Material	Metal	
Working Environment	-30 °C to 60 °C (-22 °F to 140 °F), Humidity: ≤ 95% RH (non-condensing)	
Storage Environment	-30 °C to 60 °C (-22 °F to 140 °F), Humidity: ≤ 95% RH (non-condensing)	
Surge Protection	4 KV	
Reset Button	N/A	
Web Client Language	20 Languages: Traditional Chinese, English, Simplified Chinese, Polish, German, Russian, French, Korean, Dutch, Czech, Portuguese (Europe), Portuguese (Brazil), Japanese, Thai, Turkish, Spanish (Latin America), Spanish (Europe), Hungarian, Italian, Vietnamese	

## Dimensions



## Accessories

TR-JB03-G-IN

Junction Box for Mini Fix-dome(Support wiring from behind)



TR-UM06-E-IN

Slant Mounting Bracket for Fixed Dome



TR-A01-IN

NPT 3/4" Waterproof Cable Gland



TR-UP06-IN

Universal Pole Mounting Bracket



TR-UC08-C

Bullet&Dome Corner Mounting Bracket



TR-SE24-IN

Dome Pendant Mounting Pole 200m



TR-SE24-A-IN

Dome Pendant Mounting Pole 500m



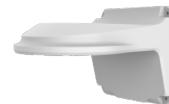
TR-CM24-IN

Dome Pendant Mounting Bracket(Indoor)



TR-WM03-D-IN

Wall Mounting Bracket for 32 Fix-dome&Mini Fix-dome&Plastic Turret Camera



TR-JB07/WM03-G-IN

Wall Mounting Assembling Bracket For 32 Fix-dome&Mini Fix-dome&Plastic Turret Camera



**Zhejiang Uniview Technologies Co., Ltd.**

No. 369, Xietong Road, Xixing Sub-district, Binjiang District, Hangzhou City, 310051, Zhejiang Province, China (Zhejiang) Pilot Free Trade Zone, China

Email: [overseasbusiness@uniview.com](mailto:overseasbusiness@uniview.com); [globalsupport@uniview.com](mailto:globalsupport@uniview.com)

<http://www.uniview.com>

©2023-2024 Zhejiang Uniview Technologies Co., Ltd. All rights reserved.

\*Product specifications and availability are subject to change without notice.

\*Despite our best efforts, technical or typographical errors may exist in this document. Uniview cannot be held responsible for any such errors and reserves the right to change the contents of this document without prior notice.