

5MP ColourHunter HD Fixed Mini Bullet Analog Camera

UAC-B115-F28(40)-W



Overview

UAC-B115-F28(40)-W is a 5MP ColourHunter HD Fixed Mini Bullet Analog Camera with a high-performance 1/2.7-inch CMOS sensor. It supports TVI/AHD/CVI/CVBS, which effectively enhances product adaptability and diversity of networking solutions. With SYV-75-3 or other coaxial cable types the camera can achieve low-cost, long-distance, anti-interference, and low delay mega-pixel HD video transmission. The camera provides 24/7 color images.

Features

- 5MP high quality image
- TVI/AHD/CVI/CVBS
- Supports white light illumination, 24/7 color images
- Supports 180° horizontal flip, 180° vertical flip
- OSD configuration menu, easy to operate
- IP67 waterproof and dustproof design, high reliability
- OSD configuration menu in 11 languages

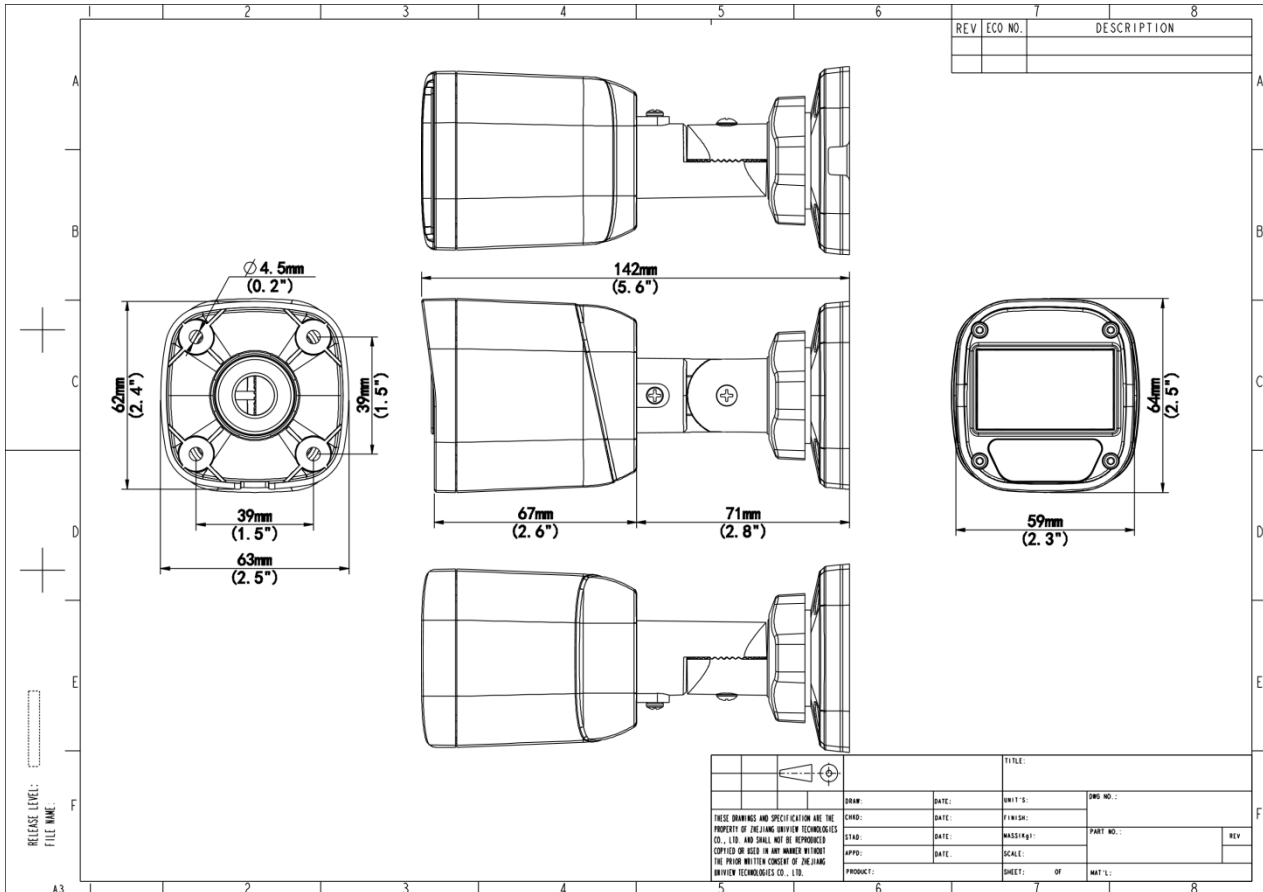
Specifications

| Model | UAC-B115-F28-W | UAC-B115-F40-W |
|-------------------------|--|----------------|
| Sensor | | |
| Pixel | 5 MP | |
| Sensor Size | 1/2.7" CMOS | |
| Min. Illumination | 0.01 lux (F1.6, AGC ON) 0 lux (white light on) | |
| Lens | | |
| Focus | 2.8 mm | 4.0 mm |
| Lens Mount | M12 | |
| Angle of View (H) | 110.0° | 90.0° |
| Angle of View (V) | 57.0° | 48.0° |
| Angle of View (D) | 130.0° | 109.1° |
| Illuminator | | |
| Illuminator Number | One white-light illuminator | |
| Illumination Distance | 20m | |
| Lifetime | ≥ 60000 hours | |
| Video | | |
| Resolution | 5MP@25fps: 2880(H)×1620(V); 5MP@20fps: 2592(H)×1944(V); 5MP@12.5fps: 2592(H)×1944(V) 4MP: 2560(H)×1440(V) 1080P: 1920(H)×1080(V) | |
| Frame Rate | TVI: 5MP@20fps (default), 5MP@12.5fps, 4MP@25fps, 4MP@30fps, 1080P@25fps, 1080P@30fps AHD: 5MP@20fps, 4MP@25fps, 4MP@30fps, 1080P@25fps, 1080P@30fps CVI: 5MP@25fps, 4MP@25fps, 4MP@30fps, 1080P@25fps, 1080P@30fps CVBS: PAL, NTSC | |
| Shutter Time | PAL: 1/25s-1/50000s, NTSC: 1/30s-1/50000s | |
| Image | | |
| Exposure Mode | Four modes: Global (default), BLC, HLC, DWDR | |
| Day/Night | 24/7 color images | |
| Digital Noise Reduction | 2D | |
| White Balance | Two modes: Auto (default), Manual | |

| | |
|------------------------------|--|
| WDR | DWDR |
| Flip | Supports 180°horizontal flip, 180°vertical flip |
| Interface | |
| Power Interface | 5.5 mm Power Interface |
| Video Output | BNC, supports TVI/AHD/CVI/CVBS |
| Operating Environment | |
| Temperature | -30 °C to 60 °C (-22 °F to 140 °F) |
| Humidity | ≤ 95% RH (non-condensing) |
| Surge Protection | 4 KV for power, 4 KV for video output interfaces |
| General | |
| Power | DC 12 V ± 25% |
| Power Consumption | MAX 2.4W |
| Mount | Corner Mount, Pole Mount |
| Dimensions | 142mm*63mm*65mm (L*W*H) |
| Material | Graphene + Plastic |
| Weight | 145g(0.32lb) |
| OSD Menu Language | 11 Languages: English, German, Spanish (Latin America), French, Italian, Japanese, Korean, Polish, Portuguese (Brazil), Russian, Turkish |
| Certification | |
| EMC | CE-EMC (EN 55032, EN 61000-3-3, EN IEC 61000-3-2, EN 55035), FCC (FCC 47 CFR part15 B) |
| Safety | CE-LVD (EN 62368-1) |
| Environment | CE-RoHS (2011/65/EU; (EU) 2015/863); WEEE (2012/19/EU) |
| Protection | IP67 (IEC 60529) |

Dimensions

Aggregate product size diagram using "main model" as an example



Zhejiang Uniview Technologies Co., Ltd.

No. 369, Xietong Road, Xixing Sub-district, Binjiang District, Hangzhou City, 310051, Zhejiang Province, China (Zhejiang) Pilot Free Trade Zone, China

Email: overseasbusiness@uniview.com; globalsupport@uniview.com

<http://www.uniview.com>

©2023-2025 Zhejiang Uniview Technologies Co., Ltd. All rights reserved.

*Product specifications and availability are subject to change without notice.

*Despite our best efforts, technical or typographical errors may exist in this document. Uniview cannot be held responsible for any such errors and reserves the right to change the contents of this document without prior notice.