

4MP X25 Starlight Dual-light Intelligent Network PTZ Camera IPC6624SFW-X25-C-VH2



Features

- Wise-ISP image processing engine, intelligent noise reduction, stunning visual effects in low-light conditions
- Smart intrusion prevention (SIP): supports cross line detection, enter area, leave area, and intrusion detection, detects and captures different types of targets including motor vehicles, non-motor vehicles, pedestrians, and raises alarms
- UNV LM-Auto Tracking : Accurately identifies and continuously tracks motor vehicles, non-motor vehicles, and pedestrians—even through occlusion, multi-target crossing, or high-speed motion—with real-time, adaptive bounding boxes for stable, reliable tracking
- People counting: supports people flow counting and crowd density monitoring, applicable to various scenarios
- automatic selection of best snapshots, supports face detection masked area
- supports front-end , supports blocklist and allowlist comparison
- Built-in high-power speaker supports audio-visual alarms, delivering enhanced deterrence and protection
- 120 dB true WDR meets the image requirements in high-contrast scene
- Heatwave reduction effectively mitigates heatwave effect in high-temperature outdoor environment and ensures clear images
- Adaptive defog automatically adjusts the defog level according to fog and haze intensity
- Dual-light illumination solution, balancing 200 m (656.2 ft) long-range detail and 100 m (328.1 ft) mid-to-short range full-color imaging
- Adaptive highlight compensation (HLC) automatically adjusts image brightness at night when moving vehicles are detected on the road
- Advanced H.265 and SVC video compression technologies, higher compression efficiency, flexible application
- ROI (region of interest) ensures image quality in areas of interest with low bandwidth

- Supports picture overlay and custom OSD, provides various custom effects (size, color, background, style)

Specifications

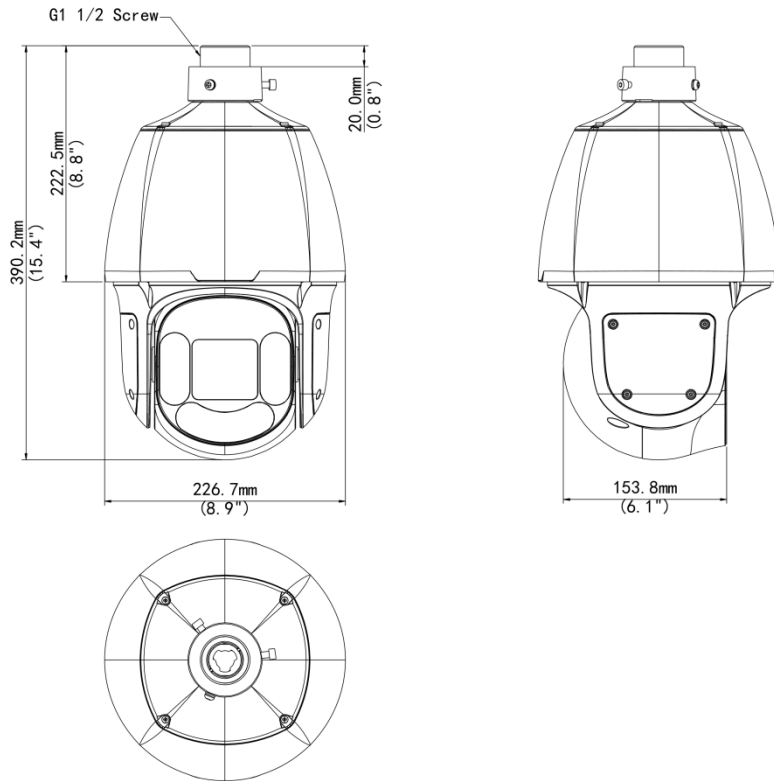
Model	IPC6624SFW-X25-C-VH2
Camera	
Max Resolution	4 MP
Sensor	1/2.8" CMOS
Day/Night	IR-cut filter with auto switch (ICR)
Shutter	Auto/Manual, 1 to 1/100000 s
WDR	120 dB
S/N	> 56 dB
Min. Illumination	Color: 0.003 Lux (F1.65, AGC ON), B/W: 0.002 Lux (F1.65, AGC ON), 0 Lux with Light,
Case Type	PT
Lens	
Focal Length	4.8 to 120 mm
Digital Zoom	8X
Optical Zoom	25X
Iris	F1.65 to F3.8
Field of View (H)	53.90° to 3.00°
Field of View (V)	31.92° to 1.69°
Field of View (D)	63.60° to 3.69°
DORI	
DORI Distance (Detect)	119.9 m to 2407.5 m (393.5 ft. to 7898.6 ft.)
DORI Distance (Observe)	48.0 m to 963.0 m (157.4 ft. to 3159.4 ft.)
DORI Distance (Recognize)	24 m to 481.5 m (78.7 ft. to 3159.4 ft.)
DORI Distance (Identify)	12 m to 240.8 m (39.3 ft. to 789.9 ft.)
Video	
Video Compression	H.265, H.264, MJPEG, Ultra 265
Frame Rate	Main Stream Max: 4 MP (2688 × 1520), 60 fps Main Stream Default: 4 MP (2560 × 1440), 25 fps Sub Stream Max: 1080P (1920 × 1080), 60 fps Third Stream Max: D1 (720 × 576), 60 fps Fourth Stream Max: D1 (720 × 576), 60 fps Fifth Stream Max: D1 (720 × 576), 60 fps
Video Bit Rate	128 Kbps to 16 Mbps
U-code	Support
Privacy Mask	24 areas, up to 8 areas per scene
ROI	Up to 8 areas
Video Stream	Five streams
OSD	Up to 10 OSDs
Frame Rate Recommendation	2688 × 1520@60 fps + 1080P@60 fps + D1@30 fps

	2688 × 1520@60 fps + 720P@60 fps + D1@60 fps + D1@60 fps + D1@60 fps 2560 × 1440@30 fps + 1080P@60 fps + D1@60 fps 1080P@60 fps + 1080P@60 fps + D1@60fp + D1@60fp + D1@60fp
Events	
General Function	Watermark, IP address filtering, Access policy, ARP protection, RTSP authentication, User authentication, Alarm input, Alarm output, HTTP authentication
Audio	
Audio Compression	G.711U, G.711A
Two-way Audio	Support
Suppression	Support
Sampling Rate	8 kHz, 16 kHz
Storage	
Edge Storage	MicroSD, up to 512 GB
Network Storage	NAS (NFS)
Network	
Protocols	IGMP, SMTP, IPv6, ARP, TCP, UDP, ICMP, DHCP, RTSP, DNS, DDNS, NTP, UPnP, HTTP, SNMP, 802.1x, QoS, SSL/TLS, SSH, IPv4, RTP, RTCP, RTMP, HTTPS, PPPoE
Compatible Integration	SDK, API, ONVIF (Profile S, Profile G, Profile T, Profile M)
User/Host	Up to 32 users. 3 user levels: administrator, common user and operator
Security	Password Protection, Strong Password, HTTPS Encryption, Export Operation Logs, Basic and Digest Authentication for RTSP, Digest Authentication for HTTP, TLS 1.2, WSSE and Digest Authentication for ONVIF, TLS 1.3
Client	EZStation, UNV-Link, UNV-Link Pro
Web Browser	Plug-in required live view: IE 10+, Chrome 45+, Firefox 52+, Edge 79+, Plug-in free live view: Chrome 57+, Firefox 58+, Edge 16+
PTZ	
Preset Image Freeze	Support
Preset Patrol	16 patrols, up to 64 presets for each patrol
Patrol Stay Time	15 s to 1800 s
Home Position	Support
Number of Presets	1024
Pan Range	360° (endless)
Pan Speed	0.1°/s to 288°/s
Tilt Range	-15° to 90° (auto flip)
Tilt Speed	0.1°/s to 288°/s
Image	
White Balance	Auto, Outdoor, Fine tune, Sodium lamp, Locked, Auto2, Area white balance
Digital Noise Reduction	2D/3D DNR
BLC	Support
Flip	Normal, Flip vertical, Flip horizontal, 180°
HLC	Support
Defog	Digital defog
Low Illumination	ColorHunter with wise-ISP

Characteristics	
Image Stabilization	EIS (Gyroscope)
Interface	
Audio I/O	1 Input: impedance 1 kΩ, amplitude 2.5 V [p-p], 1 Output: impedance 600 Ω, amplitude 2.5 V [p-p]
Alarm I/O	2/1
Network	1 × RJ45 10 M/100 M Base-TX Ethernet
Built-in Speaker	Support
Serial Port	1 × RS485
Intelligent	
Exception Detection	Object removed, Object Left Behind
Auto Tracking	UNV Large Model
Smart Intrusion Prevention	Cross line detection, intrusion detection, enter area detection, leave area detection (support false alarm filtering and the classification of human, non-motor vehicle and vehicle)
People Counting	Support people flow counting and crowd density detection
Illuminator	
Illumination Distance (Warm Light)	100 m (328.1 ft.)
Illumination Distance (IR)	250 m (820.2 ft.)
Certification	
Safety	UL (UL 62368-1) CUL (CAN/CSA C22.2 No. 62368-1) CE-LVD (EN IEC 62368-1)
EMC	CE-EMC (EN 55032; EN IEC 61000-3-2; EN 61000-3-3; EN 50130) FCC SDoC (47 CFR Part 15; Subpart B)
Environment	CE-ROHS (2011/65/EU; (EU) 2015/863) WEEE (2012/19/EU)
Protection	IP67 (IEC 60529) ; IK10 (IEC62262; Anti-Vandalism Except for the Front Window)
General	
Power Interface	Wires with cold-pressed terminal
Dimensions	Ø226 mm × 390 mm (Ø8.9" × 15.4") (Ø × H)
Weight	5.2 kg (11.46 lb.)
Storage Environment	-40 °C to 70 °C (-40 °F to 158 °F), Humidity: ≤ 95% RH (non-condensing)
Surge Protection	6 KV
Working Environment	-40 °C to 70 °C (-40 °F to 158 °F), Humidity: ≤ 95% RH (non-condensing)
Reset Button	Support
Power	DC 24 V±25%, AC 24 V±25%, PoE (IEEE 802.3at)
Power Consumption	Max. 21.7 W
LED Indicator	1, red/blue
Configurable	
P/N	Support
Live View	
3D Privacy Mask	Support
Compliance	

NDA Compliant	Support
---------------	---------

Dimensions



Accessories

TR-UF45-A-IN

Dome Indoor Ceiling Mounting Pedestal



TR-SE45-A-IN

Dome Ceiling Mounting Pole 500



TR-SE45-IN

Dome Ceiling Mounting Pole 200



TR-CE45-IN

Dome Indoor Ceiling Mounting Bracket



TR-WE45-IN

Dome Wall Mounting Bracket



TR-WE45-A-IN

Long Wall Mounting Bracket for Dome



TR-JB12-IN
Dome Junction Box



TR-WE45-B-IN
Dome Gooseneck Bracket



TR-UP08-A-IN
Dome Pole Mounting Bracket



TR-UP08-B-IN
Aluminium Alloy Pole Mounting Bracket



TR-UC08-A-IN
Dome Corner Mounting Bracket



TR-UC08-B-IN
Aluminium Alloy Corner Mounting Bracket



Unlimited New View

浙江宇视科技有限公司

 <http://www.uniview.com>

 overseasbusiness@uniview.com; globalsupport@uniview.com

 South Tower, Building 10, Wanlun Science Park, 88 Jiangling Road, Hangzhou, P.R.China



©2023-2025 Zhejiang Uniview Technologies Co., Ltd. All rights reserved.

*Product specifications and availability are subject to change without notice.

虽然我司试图在本资料中提供准确的信息，但不保证资料的内容不含有技术性误差或印刷性错误，为此我司对本资料中的不准确不承担任何责任。我司保留在没有通知或提示的情况下对本资料的内容进行修改的权利。