

Digital Video Recorder

XVR301-Q3 Series



Features

- Support H.265/H.264 video formats
- Support audio over coaxial cable(only for TVI cameras)
- Support TVI, AHD, CVI, CVBS, IP cameras with adaptive access
- 4/8-channel BNC input
- Support 1-ch CVBS output, 1-ch VGA output, 1-ch HDMI output at up to 4K(3840 x 2160)
- HDMI and VGA simultaneous output
- Long transmission distance over coaxial cable
- Support mainstream cameras of ONVIF and RTSP protocols

Specifications

Model	XVR301-04Q3	XVR301-08Q3
Video/Audio Input		
IP Video Input	2-ch	4-ch
Analog Video Input	4-ch, BNC	8-ch, BNC
Max IP Video Input	6-ch	12-ch

Supported Analog Camera Types	Support AHD input: 8MP@15fps 5MP@20fps 4MP@30fps 1080P@30fps 720P@30fps	Support AHD input: 8MP@15fps 5MP@20fps 4MP@30fps 1080P@30fps 720P@30fps
	Support TVI input: 8MP@15fps 3K@20fps 5MP@20fps 4MP@30fps 1080P@30fps 720P@30fps	Support TVI input: 8MP@15fps 3K@20fps 5MP@20fps 4MP@30fps 1080P@30fps 720P@30fps
	Support CVI input: 8MP@15fps 5MP@25fps 4MP@30fps 1080P@30fps 720P@30fps	Support CVI input: 8MP@15fps 5MP@25fps 4MP@30fps 1080P@30fps 720P@30fps
	Support CVBS input	Support CVBS input
BNC Audio Input	4-ch, channel audio	8-ch, channel audio
RCA Audio Input	1-ch	
Video/Audio Output		
HDMI Output	HDMI: 4K (3840 × 2160)/30 Hz, 1920 × 1080/60 Hz, 1920 × 1080/50 Hz, 1600 × 1200/60 Hz, 1280 × 1024/60 Hz, 1280 × 720/60 Hz, 1024 × 768/60 Hz	
VGA Output	VGA: 1920 × 1080/60 Hz, 1920 × 1080/50 Hz, 1600 × 1200/60 Hz, 1280 × 1024/60 Hz, 1280 × 720/60 Hz, 1024 × 768/60 Hz	
BNC Video Output	1-ch	
RCA Audio Output	1-ch	
Live View Display	HDMI/VGA: 1/4/6/8/9	HDMI/VGA: 1/4/6/8/9/16
Encoding/Decoding		
Recording Resolution	8MP Lite/5MP Lite/4MP Lite/1080P/720P/D1	
Recording Frame Rate	Main stream: 8MP Lite@8fps Sub stream: D1@8fps Main stream: 3K Lite@12fps Sub stream: D1@12fps Main stream: 5MP Lite@12fps Sub stream: D1@12fps Main stream: 4MP Lite@15fps Sub stream: D1@15fps Main stream: 1080P@15fps Sub stream: D1@15fps Main stream: 720P@30fps Sub stream: D1@30fps	

Audio Sample Rate	8 kHz, 16 bit per channel	
Audio Bit Rate	64 Kbps per channel	
Decoding Capability	Analog: 4 x 8MP Lite@8, 4 x 3K Lite@12, 4x 5MP Lite@12, 4x 4MP Lite@15, 4 x 1080P@15 IP: 1 x 4MP@30, 2 x 1080P@30	Analog: 8 x 8MP Lite@8, 8 x 3K Lite@12, 8 x 5MP Lite@12, 8 x 4MP Lite@15, 8 x 1080P@15 IP: 1 x 8MP@30, 2 x 4MP@30, 4 x 1080P@30
Two-way Audio		
Two-way Audio	1-ch, RCA (Using the audio input and output)	
Analog Snapshot		
FTP/Schedule/Event Snapshot	Schedule/FTP/Event snapshot:4-ch snapshot, up to 704*576 resolution	Schedule/FTP/Event snapshot:8-ch snapshot, up to 704*576 resolution
Network		
Incoming Bandwidth	40Mbps (Up to 48Mbps after all analog channel conversion)	40Mbps (Up to 56Mbps after all analog channel conversion)
Outgoing Bandwidth	48Mbps	64Mbps
Remote Users	128	
Protocols	TCP/IP, P2P, UPnP, DHCP, HTTP, HTTPS, DNS, DDNS, SMTP, NTP	
Browser(Plugin)	Windows: IE (IE10/11), Firefox (version 52.0 and above), Chrome (version 45 and above), Edge (version 79 and above)	
Smart		
Analog Smart by XVR	SIP (Intrusion Detection, Cross Line Detection, Enter Area, Leave Area), Ultra Motion Detection (UMD)	
IP Smart by IPC	Face Detection, SIP (Intrusion Detection, Cross Line Detection, Enter Area, Leave Area), Defocus Detection, Scene Change Detection, Object Removed, Object Left Behind, Auto Tracking	
VCA Search	Face Search, Behavior Search	
Smart Functions by XVR	4-ch (UMD) 2-ch (SIP)	8-ch (UMD) 2-ch (SIP)
Smart Functions by IP Camera	2-ch (SIP)	
Alarm		
General Alarm	Motion	
Alert Alarm	IP Conflict, Network Disconnected, Disk offline, Disk Abnormal, Illegal Access, Hard Disk Space Low, Hard Disk Full, Recording/Snapshot Abnormal	

GUI Language

GUI Language	38 languages: Simplified Chinese, Traditional Chinese, English, Vietnamese, Thai, Turkish, Spanish (Latin America), Portuguese (Brazil), Spanish, Portuguese, French, German, Italian, Dutch, Polish, Czech, Hungarian, Slovak, Russian, Hebrew, Arabic, Ukrainian, Estonian, Bulgarian, Greek, Romanian, Danish, Swedish, Norwegian, Finnish, Croatian, Slovenia, Serbia, Korean, Japanese, Latvian, Lithuanian, Persian
--------------	---

Hard Disk

SATA	1 SATA interface
Capacity	Up to 16 TB for each HDD (The maximum HDD capacity varies with environment temperature)

External Interface

Network Interface	1 RJ45 10M/100M self-adaptive Ethernet Interface
USB	Rear panel: 2 × USB2.0
RS485	1
Alarm In	4-ch
Alarm Out	1-ch
Power Supply	DC 12 V/2 A

Working Environment

Working Temperature	-10 °C to 55 °C (14 °F to 131 °F)
Working Humidity	≤ 90% RH (non-condensing)
Power Consumption (without HDD)	≤ 10W

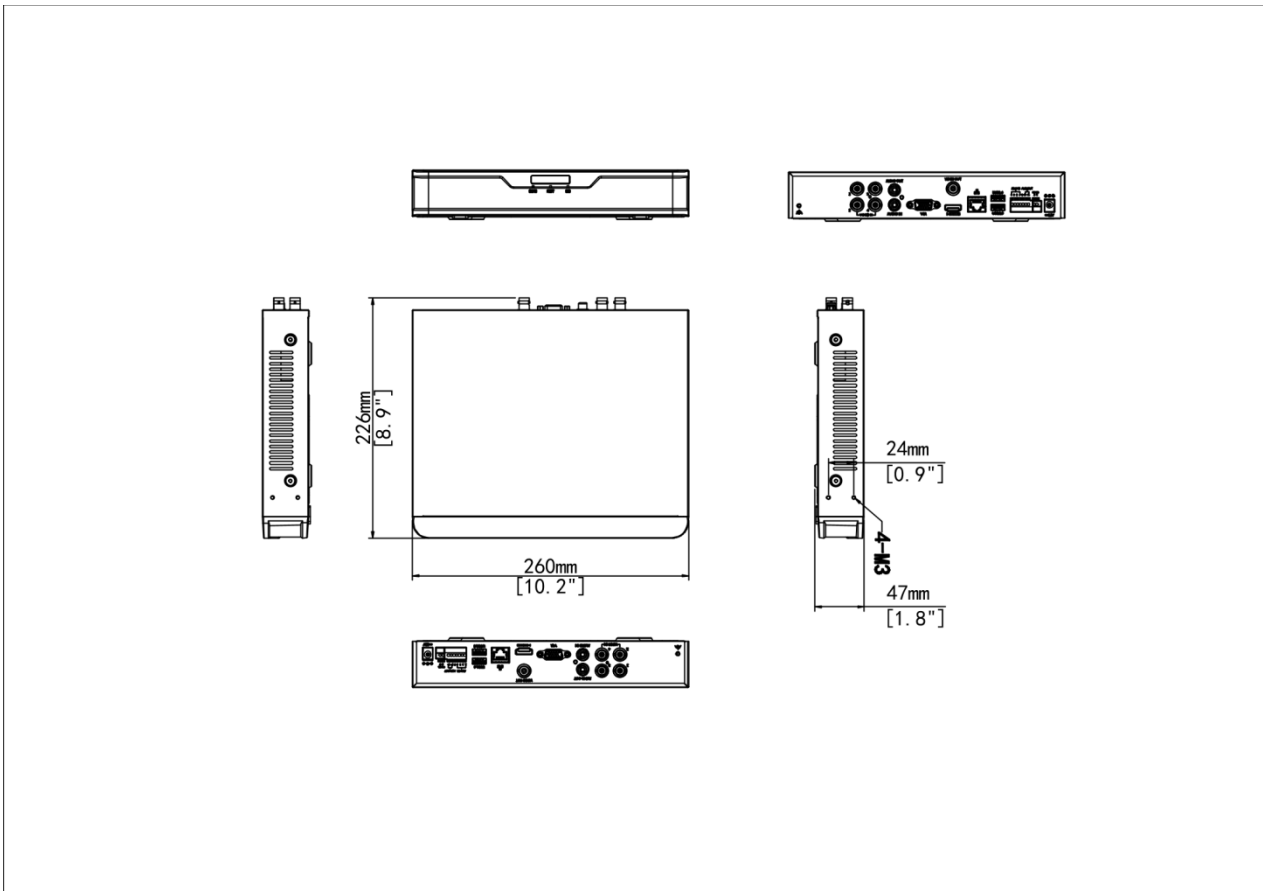
Dimensions

Weight (without HDD)	≤1.1 Kg (2.42lb)
Dimensions	260mm × 226mm × 47mm (10.2" × 8.9" × 1.8")

Certification

Certification	CE, FCC, UL, RoHS, WEEE
CE	EN 55032, EN 61000-3-3, EN IEC 61000-3-2, EN 55035
FCC	Part15 Subpart B

Dimensions



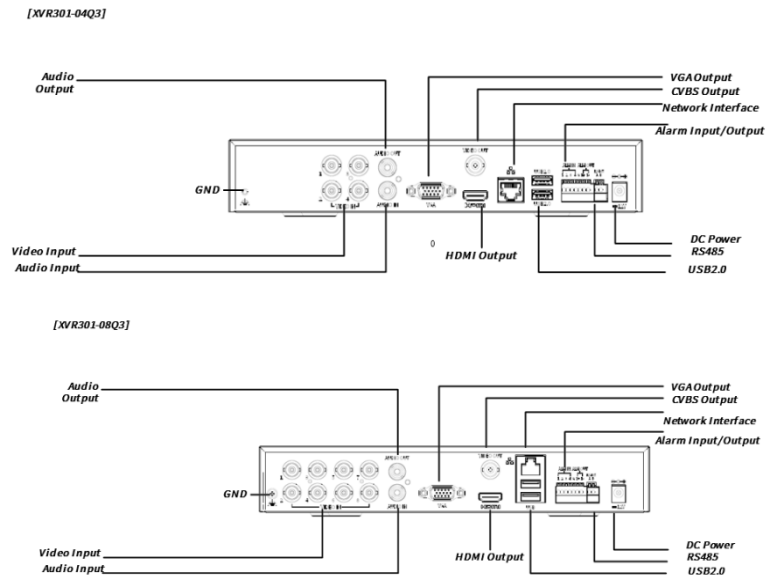
Accessories

RM-1U-260

1 HDD 1U NVR Rack Mount



Rear Panel



Zhejiang Uniview Technologies Co., Ltd.

No. 369, Xietong Road, Xixing Sub-district, Binjiang District, Hangzhou City, 310051, Zhejiang Province, China

Email: overseasbusiness@uniview.com; globalsupport@uniview.com

<http://www.uniview.com>

©2023-2024 Zhejiang Uniview Technologies Co., Ltd. All rights reserved.

*Product specifications and availability are subject to change without notice.

*Despite our best efforts, technical or typographical errors may exist in this document. Uniview cannot be held responsible for any such errors and reserves the right to change the contents of this document without prior notice.