

Door Exit Button OEP-GP2



Overview

OEP-GP2 door exit buttons are commonly used in access control systems and are suitable for banks, telecommunications, supermarkets, hotels, governments, schools, airports, factories, prisons & correctional facilities and other access control scenarios.

Features

- Simple design, modern and elegant.
- Standard junction box allows for easy installation.
- 500,000 fatigue tests, durable and reliable.

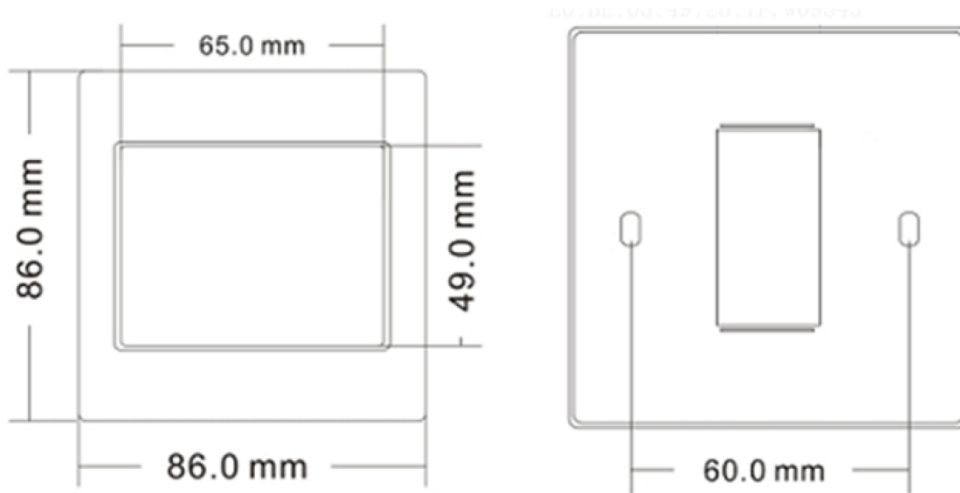
Specifications

Model	OEP-GP2
Physical	
Material	Plastic casing
Hardware Specification	
Dimensions (L x W x H)	86mm x 86mm x 25mm
Operating Environment	Operating temperature: -30°C to +60°C Operating humidity: ≤95%
Weight	0.05kg
Attestation	CE/FCC/ROHS
Power Supply	DC12V

Ordering Info

Product Model	Description
OEP-GP2	Open Door Button

Dimensions



Unlimited New View

Zhejiang Uniview Technologies Co., Ltd.



<http://www.uniview.com>



overseasbusiness@uniview.com; globalsupport@uniview.com



No. 369, Xietong Road, Xixing Sub-district, Binjiang District, Hangzhou City, 310051, Zhejiang Province, China



©2023-2025 Zhejiang Uniview Technologies Co., Ltd. All rights reserved.

*Product specifications and availability are subject to change without notice.

Despite our best efforts, technical or typographical errors may exist in this document. Uniview cannot be held responsible for any such errors and reserves the right to change the contents of this document without prior notice.