

# Villa Door Station

## OEU-202S-HMK4



## Overview

OEU-202S-HMK4 villa door station is one of the terminal equipment of the digital building intercom system, with functions of video intercom, security alarm, video surveillance, etc., providing a safe and comfortable living environment for residents. It can be widely used in villa building system.

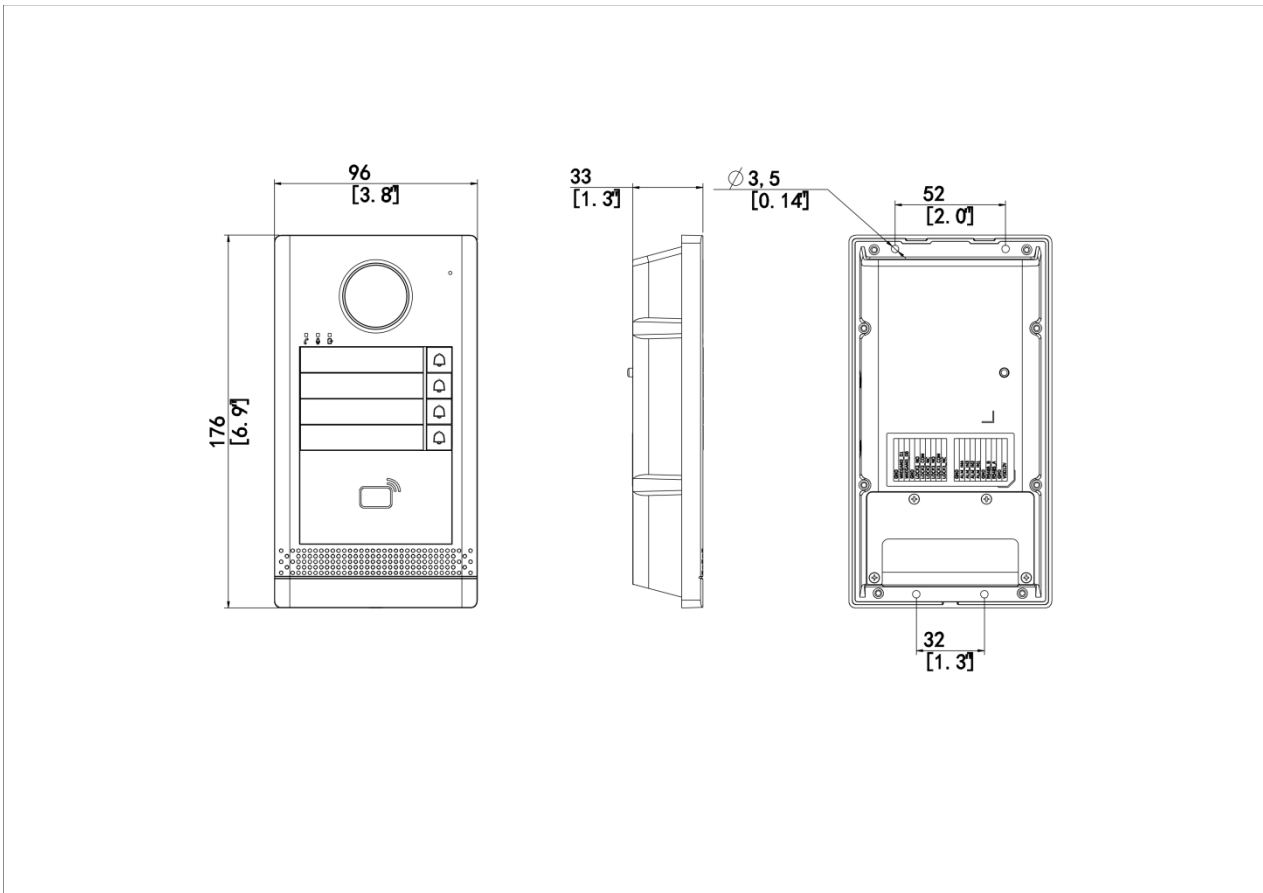
## Features

- Optional recess box for recess mount.
- Supports power output, which can be enabled or disabled on the Web interface.
- Built-in heating module supports operation at a very low temperature.
- Metal casing.
- Supports batch configuration.
- Supports call and intercom with the connected indoor stations and APP.
- Supports video monitoring, security alarm, and tamper alarm.
- Built-in IC card reader.

# Specifications

| Model                            | OEU-202S-HMK4  |
|----------------------------------|--|
| Basic Business                   |  |
| WDR                              | Support DWDR   |
| Protocol                         | Private protocol   |
| Button                           | 4 x Call button  |
| Network protocol                 | TCP/IP, IPv4, HTTP, RTP, RTSP, NTP   |
| Specification Index              |  |
| Card Capacity                    | 10000  |
| Maximum Connected Indoor Station | 20   |
| Hardware Specification           |  |
| FOV                              | Horizontal: 106.9°<br>Vertical: 56.9°<br>Diagonal: 127.9°  |
| Power Consumption                | PoE: 6.48W<br>DC12V: 5.35W   |
| Volume Adjustment                | Support  |
| Audio Quality                    | Noise suppression, echo cancellation, AGC  |
| Audio Input                      | 1 x Built-in omnidirectional microphone  |
| Audio Output                     | 1 x Built-in speaker   |
| Audio Compression Bitrate        | 128Kbps  |
| Protection Level                 | IP65 (Apply waterproof glue to the gap between the device and the wall. See the corresponding quick guide for details)<br>IK08 |
| Power Supply                     | DC12V ±25%, IEEE802.3af PoE power supply   |
| Operating System                 | Linux  |
| Illuminator                      | IR light (adaptive)  |
| Weight                           | 680g   |
| Mount Method                     | Wall mount   |
| Network                          | 100Mbps network port, supports IEEE802.3af PoE power supply  |
| Interface                        | Power*1, network port*1, RS485*1, Wiegand*1, IO input*4, door lock*2 (support electric lock/door magnet), tamper button*1      |
| Dimensions (L x W x H)           | 96mm*176mm*33mm  |
| Operating Environment            | -40°C to 60°C, 10% to 90%, noncondensing, outdoor  |
| Operating Frequency              | 13.56MHz   |
| Power Output                     | 12V/0.25A  |
| Compliance                       |  |
| NDAA Compliant                   | Support  |

# Dimensions



# Unlimited New View

## Zhejiang Uniview Technologies Co., Ltd.



<http://www.uniview.com>



[overseasbusiness@uniview.com](mailto:overseasbusiness@uniview.com); [globalsupport@uniview.com](mailto:globalsupport@uniview.com)



No. 369, Xietong Road, Xixing Sub-district, Binjiang District, Hangzhou City, 310051, Zhejiang Province, China



©2023-2025 Zhejiang Uniview Technologies Co., Ltd. All rights reserved.

\*Product specifications and availability are subject to change without notice.

Despite our best efforts, technical or typographical errors may exist in this document. Uniview cannot be held responsible for any such errors and reserves the right to change the contents of this document without prior notice.