

# 5MP ColourHunter HD Fixed Turret Analog Camera

UAC-T115-F28(40)-W



## Overview

UAC-T115-F28/F40-W is a 5MP ColourHunter HD Fixed Turret Analog Camera with a high-performance 1/2.7-inch CMOS sensor. It supports TVI/AHD/CVI/CVBS, which effectively enhances product adaptability and diversity of networking solutions. With SYV-75-3 or other coaxial cable types the camera can achieve low-cost, long-distance, anti-interference, and low delay mega-pixel HD video transmission. The camera supports 24/7 full-color imaging.

## Features

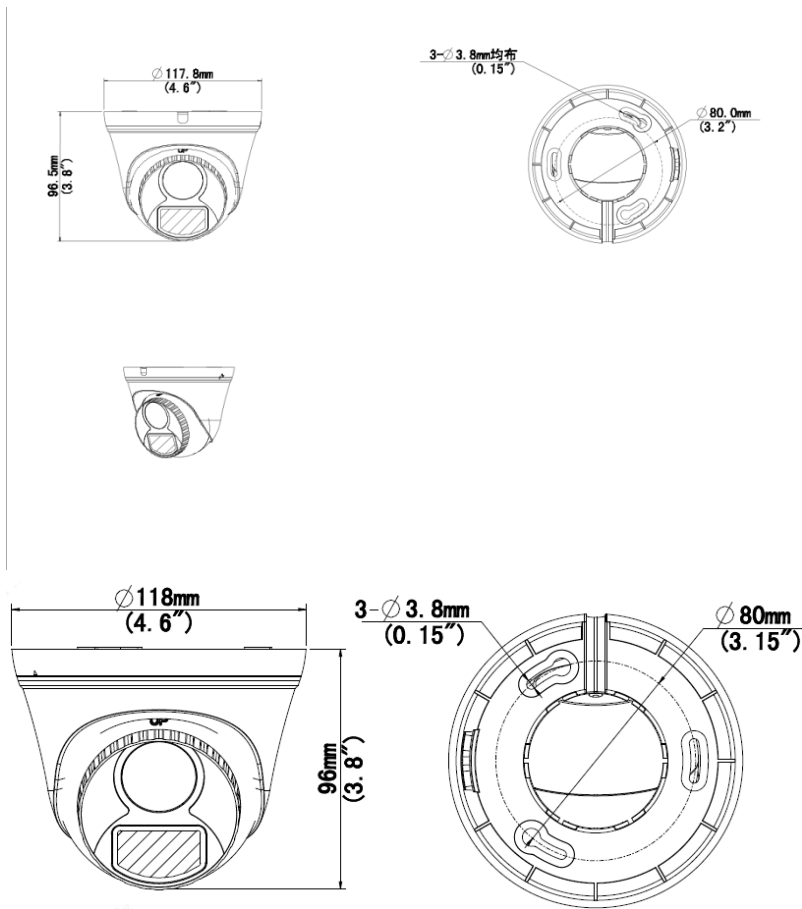
- 5MP high quality image
- TVI/AHD/CVI/CVBS
- Supports white light illumination, 24/7 full-color imaging
- Supports 180 horizontal flip, 180 vertical flip
- OSD configuration menu, easy to operate
- IP67 waterproof and dustproof design, high reliability
- OSD configuration menu in 11 languages
- 3-Axis

## Specifications

Sensor	Description
Pixel	UAC-T115-F28-W:5MP
Sensor Size	UAC-T115-F28-W:1/2.7" CMOS
Min. Illumination	UAC-T115-F28-W:0.01 lux (F1.6, AGC ON) 0 lux (white light on)
Lens	Description
Focus	UAC-T115-F28-W:2.8 mm
Lens Mount	UAC-T115-F28-W:M12
Angle of View (H)	UAC-T115-F28-W:110.0°
Angle of View (V)	UAC-T115-F28-W:57.0°
Angle of View (D)	UAC-T115-F28-W:130.0°
Illuminator	Description
Illuminator Number	UAC-T115-F28-W:One white-light illuminator
Illumination Distance	UAC-T115-F28-W:20m
Lifetime	UAC-T115-F28-W:≥60000 hours
Video	Description
Resolution	UAC-T115-F28-W:5MP@25fps: 2880(H)×1620(V); 5MP@20fps: 2592(H)×1944(V); 5MP@12.5fps: 2592(H)×1944(V) 4MP: 2560(H)×1440(V) 1080P: 1920(H)×1080(V)
Frame Rate	UAC-T115-F28-W:TVI: 5MP@20fps (default), 5MP@12.5fps, 4MP@25fps, 4MP@30fps, 1080P@25fps, 1080P@30fps AHD: 5MP@20fps, 4MP@25fps, 4MP@30fps, 1080P@25fps, 1080P@30fps CVI: 5MP@25fps, 4MP@25fps, 4MP@30fps, 1080P@25fps, 1080P@30fps CVBS: PAL, NTSC
Shutter Time	UAC-T115-F28-W:PAL: 1/25s-1/50000s, NTSC: 1/30s-1/50000s
Image	Description
Exposure Mode	UAC-T115-F28-W:Four modes: Global(default), BLC, HLC, DWDR
Day/Night	UAC-T115-F28-W:24/7 color images
Digital Noise Reduction	UAC-T115-F28-W:2D
White Balance	UAC-T115-F28-W:Two modes: Auto (default), Manual

WDR	UAC-T115-F28-W:DWDR
Flip	UAC-T115-F28-W:Supports 180°horizontal flip, 180°vertical flip
<b>Interface</b>	<b>Description</b>
Power Interface	UAC-T115-F28-W:5.5 mm Power Interface
Video Output	UAC-T115-F28-W:BNC, supports TVI/AHD/CVI/CVBS
<b>Operating Environment</b>	<b>Description</b>
Temperature	UAC-T115-F28-W:-30 °C ~ 60 °C (-22 °F ~ 140 °F)
Humidity	UAC-T115-F28-W:≤95% RH (non-condensing)
Surge Protection	UAC-T115-F28-W:4KV for power; 4KV for video output interfaces
<b>General</b>	<b>Description</b>
Power	UAC-T115-F28-W:DC12V±25%
Power Consumption	UAC-T115-F28-W:MAX 2.4W
Mount	UAC-T115-F28-W:Wall Mount; Pole Mount; Corner Mount; Pendant Mount
Dimensions	UAC-T115-F28-W:Φ 118mm*96mm (diameter*height)
Material	UAC-T115-F28-W:Graphene + Plastic
Weight	UAC-T115-F28-W:205g(0.452lb)
OSD Menu Language	UAC-T115-F28-W:11 Languages English, German, Spanish (Latin America), French, Italian, Japanese, Korean, Polish, Portuguese (Brazil), Russian, Turkish
<b>Certification</b>	<b>Description</b>
EMC	UAC-T115-F28-W:CE-EMC (EN 55032, EN 61000-3-3, EN IEC 61000-3-2, EN 55035); FCC (FCC 47 CFR part15 B)
Safety	UAC-T115-F28-W:CE-LVD (EN 62368-1)
Environment	UAC-T115-F28-W:CE-RoHS (2011/65/EU;(EU)2015/863); WEEE (2012/19/EU)
Protection	UAC-T115-F28-W:IP67 (IEC 60529)

## Dimensions



### Zhejiang Uniview Technologies Co., Ltd.

No. 369, Xietong Road, Xixing Sub-district, Binjiang District, Hangzhou City, 310051, Zhejiang Province, China (Zhejiang) Pilot Free Trade Zone, China

Email: [overseasbusiness@uniview.com](mailto:overseasbusiness@uniview.com); [globalsupport@uniview.com](mailto:globalsupport@uniview.com)

<http://www.uniview.com>

©2023-2024 Zhejiang Uniview Technologies Co., Ltd. All rights reserved.

\*Product specifications and availability are subject to change without notice.

\*Despite our best efforts, technical or typographical errors may exist in this document. Uniview cannot be held responsible for any such errors and reserves the right to change the contents of this document without prior notice.