

4MP 42X Wise-ISP IR Wiper Network PTZ Camera IPC6824ER-X42-W-VH2



Features

- 2688 × 1520@60 fps in the main stream
- 42X optical zoom
- Smart intrusion prevention, supports false alarm filtering, including cross line, intrusion, enter area, leave area detection
- Supports front end, supports blocklist and allowlist comparison
- People counting, supports people flow counting and crowd density monitoring
- Supports optical defog, self adaptive defog
- Wise-ISP technology ensures ultra high image quality in low illumination environment
- IR illumination: 500 m (1640 ft) distance, proportional to optical zoom of camera module
- Gyroscope stabilization for stable picture
- Supports wiper
- Power supply: DC 24 V±25%, AC 24 V±25%, PoE (IEEE802.3bt)
- Alarm I/O: 7/2, audio I/O: 1/1
- IP67 ingress protection

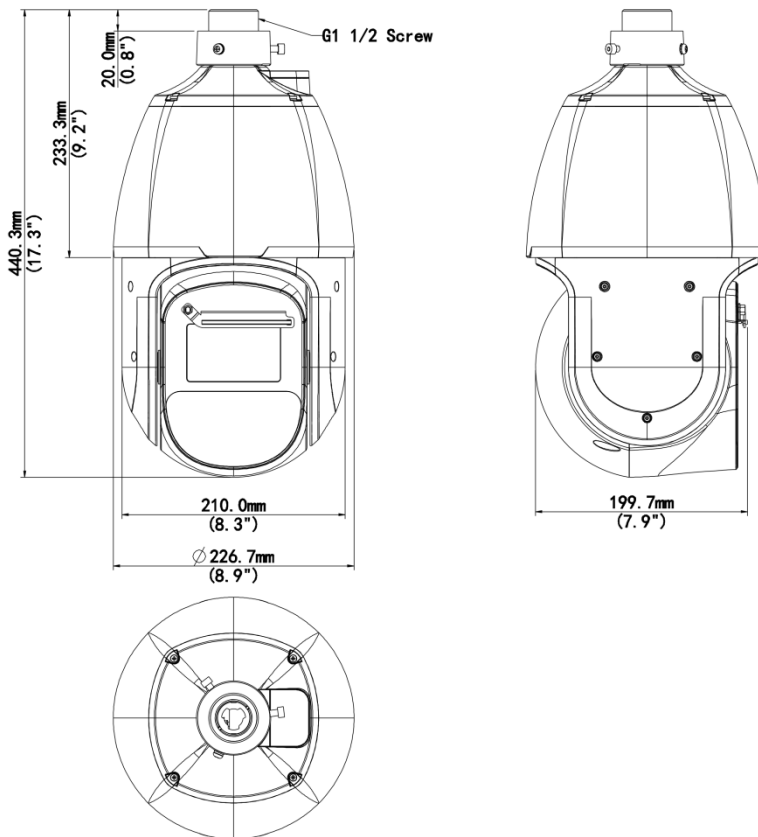
Specifications

Model	IPC6824ER-X42-W-VH2
Camera	
Sensor	1/1.8" CMOS
Min. Illumination	Color: 0.0003 Lux (F1.2, AGC ON), 0 Lux with IR
Day/Night	IR-cut filter with auto switch (ICR)
Shutter	Auto/Manual, 1 to 1/100000 s
WDR	150 dB
S/N	> 56 dB
Lens	
Focal Length	6 to 252 mm
Optical Zoom	42X
Digital Zoom	8X
Iris	F1.2 to F4.6
Field of View (H)	59.47° (W) to 2.20° (T)
Field of View (V)	35.62° (W) to 1.24° (T)
Field of View (D)	73.14° (W) to 2.59° (T)
DORI	
DORI Distance (Detect)	93.1 m to 4310.3 m (305.5 ft. to 14143.7 ft.)
DORI Distance (Observe)	37.2 m to 1564.1 m (122.1 ft. to 6116.1 ft.)
DORI Distance (Recognize)	18.6 m to 782.1 m (61.0 ft. to 2894.1 ft.)
DORI Distance (Identify)	9.3 m to 391.0 m (30.5 ft. to 1610.6 ft.)
Video	
Video Compression	H.265, H.264, MJPEG, Ultra 265
Frame Rate	Main Stream: 4 MP (2688 × 1520), max. 60 fps Sub Stream: 1080P (1920 × 1080), max. 60 fps Third Stream: D1 (720 × 576), max. 60 fps
Video Bit Rate	128 Kbps to 16 Mbps
U-code	Support
ROI	Up to 8 areas
Video Stream	Triple streams
Privacy Mask	24 areas, up to 8 areas per scene
OSD	Up to 10 OSDs
Events	
Basic Detection	Motion detection, Ultra motion detection, Tampering alarm, Audio detection, Object removed, Object Left Behind
General Function	Watermark, IP address filtering, Access policy, ARP protection, RTSP authentication, User authentication, Alarm input, Alarm output
Audio	
Audio Bitrate	128 Kbps
Two-way Audio	Support
Suppression	Support

Audio Compression	G.711U, G.711A
Sampling Rate	8 kHz, 16 kHz
Storage	
Edge Storage	MicroSD, up to 512 GB
Network Storage	ANR, NAS (NFS)
Network	
User/Host	Up to 32 users. 3 user levels: administrator, common user and operator
Protocols	SSH, IGMP, RTP, RTCP, SMTP, IPv4, IPv6, ICMP, ARP, TCP, UDP, DHCP, PPPoE, RTSP, RTMP, DNS, DDNS, NTP, UPnP, HTTP, HTTPS, 802.1x, SNMP, QoS, SSL/TLS, FTP
Compatible Integration	ONVIF (Profile S, Profile G, Profile T, Profile M), SDK, API
Security	Strong Password, Basic and Digest Authentication for RTSP, Digest Authentication for HTTP, TLS 1.2, TLS 1.3, WSSE and Digest Authentication for ONVIF, Password protection, HTTPS encryption, Export operation logs
Client	EZStation, UNV-Link, UNV-Link Pro
Web Browser	Plug-in required live view: IE 10+, Chrome 45+, Firefox 52+, Edge 79+
Intelligent	
Auto Tracking	Support, target filtering: human, non-motor vehicle and vehicle
Multi-target Detection	N/A
People Counting	Support people flow counting and crowd density detection
Smart Intrusion Prevention	Cross line detection, intrusion detection, enter area detection, leave area detection (support false alarm filtering and the classification of human, non-motor vehicle and vehicle)
Recognition	Face Recognition: Max support 16 face libraries, Max supports 100000 faces in face library
PTZ	
Route Patrol	16 patrols, up to 32 actions for each patrol
Recorded Patrol	16 patrols, up to 128 actions for each patrol
Preset Image Freeze	Support
Preset Patrol	16 patrols, up to 64 presets for each patrol
Patrol Stay Time	15 s to 1800 s
Home Position	Support
Tilt Range	-15° to 90° (Upward tilt is negative)
Pan Speed	0.1°/s to 300°/s
Pan Range	0° to 360° (endless)
3D Positioning	Support
Tilt Speed	0.1°/s to 180°/s
Number of Presets	1024
Image	
BLC	Support
White Balance	Auto, Outdoor, Fine tune, Sodium lamp, Locked, Auto2, Area white balance
Digital Noise Reduction	2D/3D DNR
Flip	Normal, Flip horizontal, Flip vertical, 180°
HLC	Support
Defog	Digital defog, Optical defog
Image Stabilization	EIS (Gyroscope)

Interface	
Audio I/O	1 Input: impedance 1 kΩ, amplitude 2.5 V [p-p], 1 Output: impedance 600 Ω, amplitude 2.5 V [p-p]
Alarm I/O	7/2
Network	1 × RJ45 10 M/100 M Base-TX Ethernet
Serial Port	1 × RS485
Video Output	1 BNC
Illuminator	
Wavelength	850 nm
IR On/Off Control	Auto/Manual
Illumination Distance (IR)	500 m (1640.4 ft.)
Certification	
Safety	CE LVD (EN IEC 62368-1+ A11) UL (UL 62368-1) CUL (CAN/CSA C22.2 No. 62368-1)
EMC	CE-EMC (EN 55032; EN IEC 61000-3-2; EN 61000-3-3; EN 50130) FCC SDoC (47 CFR Part 15; Subpart B)
Environment	CE ROHS (2011/65/EU; (EU)2015/863)
Protection	IP67 (IEC 60529+ AMD1+ AMD2) IK10 (IEC 62262, Anti-Vandalism Except for the Front Window)
General	
Power	DC 24 V±25%, AC 24 V±25%, PoE (IEEE802.3bt)
Power Consumption	≤ 65.5W
Power Interface	Wires with cold-pressed terminal
Dimensions	Ø227 mm × 414 mm (Ø8.94" × 16.30") (Ø × H)
Weight	6.9 kg
Storage Environment	-40 °C to 70 °C (-40 °F to 158 °F), Humidity: ≤ 95% RH (non-condensing)
Surge Protection	6 KV
Reset Button	Support
Working Environment	-40 °C to 70 °C (-40 °F to 158 °F), Humidity: ≤ 95% RH (non-condensing)
Heater	Support
Compliance	
NDAA Compliant	Support

Dimensions



Accessories

TR-UF45-A-IN

Dome Indoor Ceiling Mounting Pedestal



TR-SE45-A-IN

Dome Ceiling Mounting Pole 500



TR-UC08-B-IN

Aluminium Alloy Corner Mounting Bracket



TR-UC08-A-IN

Dome Corner Mounting Bracket



TR-UP08-B-IN

Aluminium Alloy Pole Mounting Bracket



TR-UP08-A-IN

Dome Pole Mounting Bracket



TR-WE45-B-IN
Dome Gooseneck Bracket



TR-JB12-IN
Dome Junction Box



TR-CE45-IN
Dome Indoor Ceiling Mounting Bracket



TR-WE45-A-IN
Long Wall Mounting Bracket for Dome



TR-SE45-IN
Dome Ceiling Mounting Pole 200



Unlimited New View

浙江宇视科技有限公司



<http://www.uniview.com>



overseasbusiness@uniview.com; globalsupport@uniview.com



South Tower, Building 10, Wanlun Science Park, 88 Jiangling Road, Hangzhou, P.R.China



©2023-2025 Zhejiang Uniview Technologies Co., Ltd. All rights reserved.

*Product specifications and availability are subject to change without notice.

虽然我司试图在本资料中提供准确的信息，但不保证资料的内容不含有技术性误差或印刷性错误，为此我司对本资料中的不准确不承担任何责任。我司保留在没有通知或提示的情况下对本资料的内容进行修改的权利。