

【Datasheet】UNV HC191 ITS 9MP Infrared-Checkpoint-Capture-Units (Sky-eye III)

HC191@GI-OS



Features

- 9MP industrial camera with wide field of view.
- Excellent performance in low light environments.
- Shipped with an Ethernet extension cable for easy operation.
- Advanced H.265 encoding technology improves compression efficiency.
- Three streams are available for live view and storage to meet different bandwidth and frame rate requirements.
- Violation detection: speeding.
- Vehicle feature recognition: license plate, vehicle color, vehicle type, logo, model, etc.

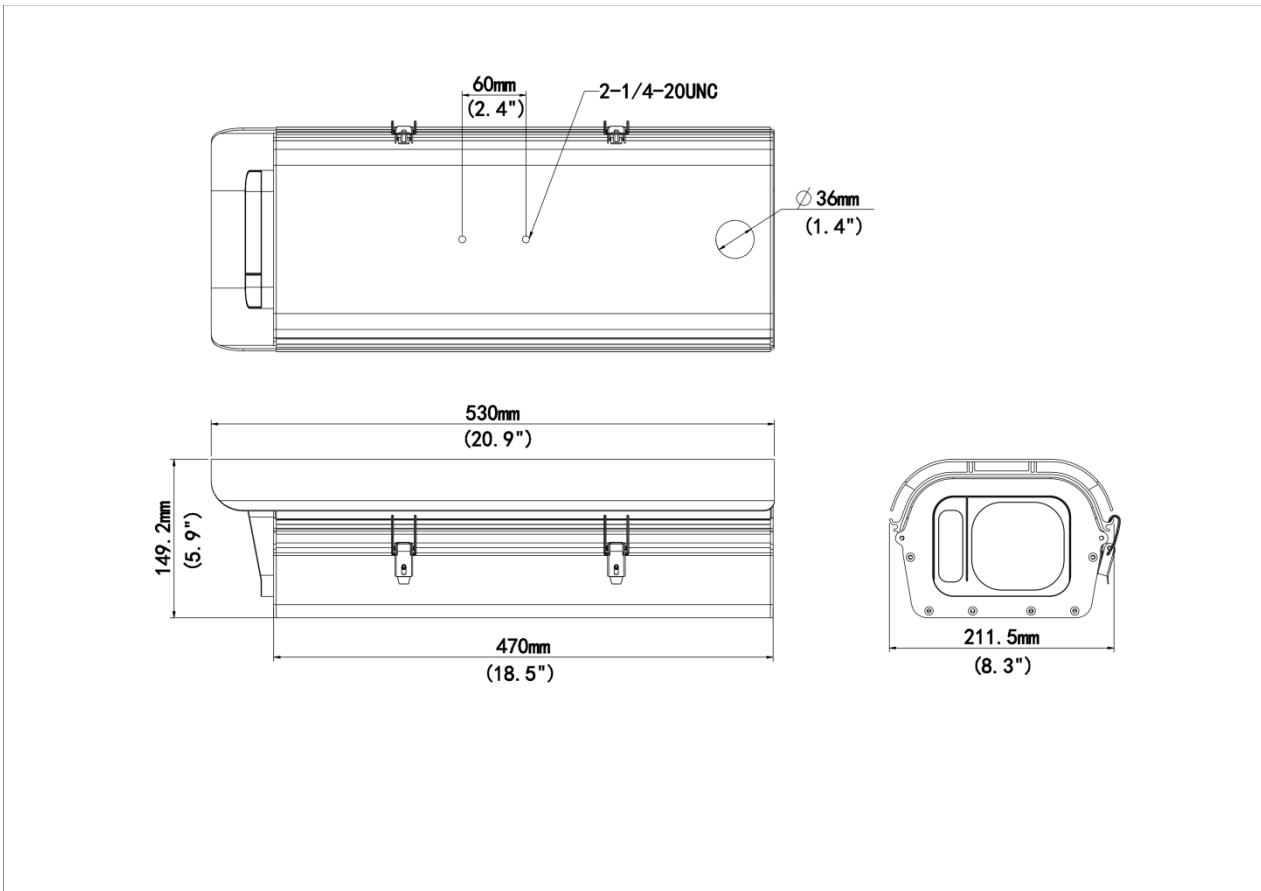
Specifications

| | |
|-------------------|--------------------------------------|
| Model | HC191@GI-OS |
| Camera | |
| Sensor | 1.1" 9MP Global Shutter CMOS |
| Min. illumination | Color: 0.001 Lux, 0.0005 Lux with IR |
| Image settings | Shutter, gain, white balance, WDR |
| Image/video | |

| | |
|---------------------------------------|---|
| Acquisition format | 4096×2160@50fps |
| Video compression | Video compression H.265, H.264, MJPEG |
| Frame rate | Up to 50fps |
| Image resolution | 4096x2160 |
| Video resolution | Main stream: 4096×2160, 1920×1080, 1600×1200, 1280×720 Sub stream: 4096×2160, 1920×1080, 1600×1200, 1280×720, 720×576, 704×288, 352×288 Third stream: 720×576, 704×288, 352×288 |
| Video OSD | Supports various overlays such as date and time with adjustable font size, font style, font color, etc. |
| Image OSD | Supports various overlays with adjustable overlay position, overlay order, font size, font style, font color, etc. |
| ROI | Supports up to 8 ROIs |
| Functions | |
| Vehicle detection mode | Radar, video |
| Illumination type | Built-in strobe light with adjustable brightness Optional external all-in-one light (infrared flash & white flash & infrared strobe) |
| Image composition | Image composition Support |
| Image size | Adjustable |
| Smart-PL | Built-in |
| Interface | |
| I/O control | 4 × synchronous signal output interface (switch) 8 × synchronous signal output interface (TTL) 8 × signal input interface (switch) 2 × standard relay interface Control interface: 4 × RS485, 1 × RS232 |
| Network | 2 × RJ45 10M/100M/1000M Base T adaptive Ethernet interface |
| Reset button | 1 |
| Storage | |
| Front-end storage | 32GB eMMC, supports up to 256G micro SD (TF) card expansion |
| Automatic Network Replenishment (ANR) | Support |
| General | |
| Power supply | AC220V±25% |

| | |
|--------------------------------|--|
| Power consumption | Camera 12W, heating 12W, fan 1W, built in LED 10W |
| Dimensions | 530mm×211mm×149mm |
| Weight | 5.96kg |
| Operating environment | -40°C to 70°C, 10% to 90% RH (non condensing) |
| Lightning and surge protection | Support |
| Ingress protection | IP65 |
| Certification | |
| EMC | CE LVD: IEC 62368-1:2014 |
| Safety | CE EMC: EN 55032:2015+A11:2020+A1:2020 EN 61000-3-3:2013+A1:2019+A2:2021 EN IEC 61000-3-2:2019+A1:2021 EN 50130-4:2011+A1:2014 |
| LPR | |
| Vehicle brand detection | Alfa Romeo, Aston Martin, Audi, Bentley, BMW, BYD, Chevrolet, Citroen, Ferrari, Fiat, Ford, Foton, Golden Dragon, Higer, Hino, Honda, Hyundai, Isuzu, Jaguar, Jeep, Kia, Land Rover, Lexus, Maserati, Maxus, Mazda, McLaren, Mercedes Benz, MG, MINI, Mitsubishi, Nissan, Opel, ORA, Peugeot, Polestar, Porsche, Renault, Rolls Royce, SEAT, SKODA, Smart, SsangYong, Subaru, Suzuki, Tesla, Toyota, Volkswagen, Volvo, Infinti, BAW, Dodge, DongFeng, FEIDIE, KingLong, Everus, Chery, SinoTruk, SAAB, Yutong, Proton, Chrysler, Daihatsu, Datsun, Geely, Hafei, Zotye, Man, Scion, |
| Supports multiple countries | North America: USA, Canada Northeast Europe: Slovenia, Poland, Czech Republic, Slovakia, Latvia, Belarus, Ukraine, EU: France, Spain, Portugal, Germany, United Kingdom, Ireland, Bulgaria, Romania, Hungary, Luxembourg, Serbia, Bosnia and Herzegovina, Greece, Croatia, Middle East: Iraq, Saudi Arabia, UAE (Dubai) Southeast Asia: Singapore, Malaysia, Indonesia, Northeast Asia: South Korea, Africa: Egypt |

Dimensions



Ordering Info

| Product Model | Config | Description |
|---------------|--------|---|
| HC191 | GI-OS | ITS 9MP Infrared-Checkpoint-Capture-Units (Sky-eye III) |

Zhejiang Uniview Technologies Co., Ltd.

No. 369, Xietong Road, Xixing Sub-district, Binjiang District, Hangzhou City, 310051, Zhejiang Province, China

Email: overseasbusiness@uniview.com; globalsupport@uniview.com

<http://www.uniview.com>

©2024-2025 Zhejiang Uniview Technologies Co., Ltd. All rights reserved.

*Product specifications and availability are subject to change without notice.

*Despite our best efforts, technical or typographical errors may exist in this document. Uniview cannot be held responsible for any such errors and reserves the right to change the contents of this document without prior notice.