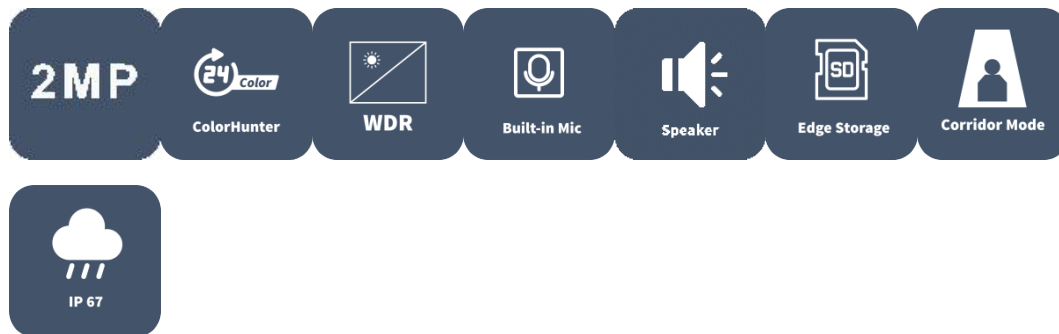


# 2MP HD 4G ColorHunter Fixed Bullet Network Camera

IPC2A12LP-ADF40(60)KC-4G-E



## Features

- High quality image with 2MP, 1/2.8"CMOS sensor
- 2MP (1920\*1080), Max 30fps; 720P (1280\*720), Max 30fps;
- Support 4G access to the network
- Alarm:1 in/1 out
- Audio: 1 in/1 out
- Built-in Mic & Speaker
- Smart IR, up to 50m (164ft) IR distance
- White Light, up to 30m (98ft) white light distance
- Support 512 G Micro SD card
- IP67 protection

## Specifications

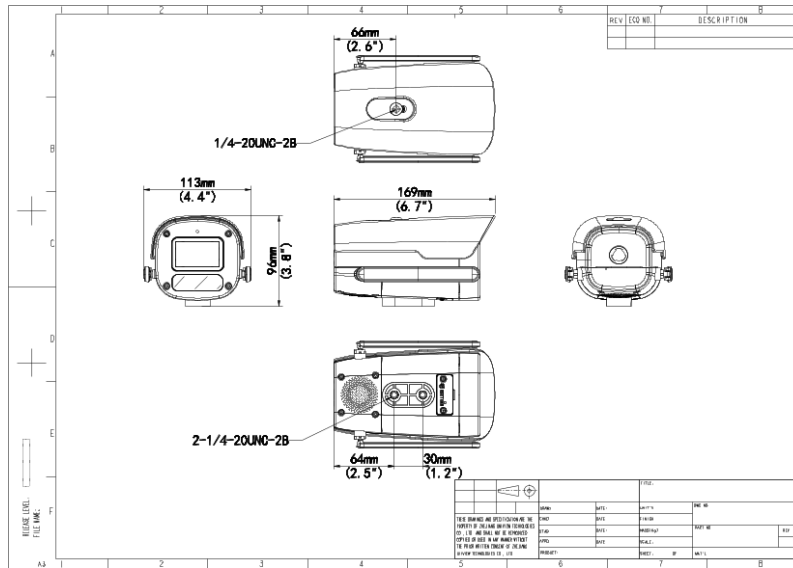
| Camera                    | Description   |
|---------------------------|---|
| Max Resolution            | 2 MP  |
| Sensor                    | 1/2.8" CMOS   |
| Min. Illumination         | Colour: 0.005 lux ( F1.6, AGC ON)<br>0 Lux with light                         |
| Day/Night                 | IR-cut filter with auto switch (ICR)  |
| Shutter                   | Auto/Manual, 1 ~ 1/100000s  |
| S/N                       | >52dB   |
| WDR                       | 120dB   |
| Lens                      | Description   |
| Focal Length              | IPC2A12LP-ADF40KC-4G-E:4.0 mm<br>IPC2A12LP-ADF60KC-4G-E:6.0 mm                |
| Iris Type                 | Fixed   |
| Iris                      | F1.6  |
| Field of View (H)         | IPC2A12LP-ADF40KC-4G-E:87.5°<br>IPC2A12LP-ADF60KC-4G-E:54.2°                  |
| Field of View (V)         | IPC2A12LP-ADF40KC-4G-E:46.3°<br>IPC2A12LP-ADF60KC-4G-E:28.9°                  |
| Field of View (D)         | IPC2A12LP-ADF40KC-4G-E:92.4°<br>IPC2A12LP-ADF60KC-4G-E:61.5°                  |
| DORI                      | Description   |
| DORI Distance (Lens)      | IPC2A12LP-ADF40KC-4G-E:4.0mm<br>IPC2A12LP-ADF60KC-4G-E:6.0mm                  |
| DORI Distance (Detect)    | IPC2A12LP-ADF40KC-4G-E:62.1m(203.7t)<br>IPC2A12LP-ADF60KC-4G-E:93.1m(305.4ft) |
| DORI Distance (Observe)   | IPC2A12LP-ADF40KC-4G-E:24.8m(81.4ft)<br>IPC2A12LP-ADF60KC-4G-E:37.2m(122.0ft) |
| DORI Distance (Recognize) | IPC2A12LP-ADF40KC-4G-E:12.4m(40.7ft)<br>IPC2A12LP-ADF60KC-4G-E:18.6m(61.0ft)  |
| DORI Distance (Identify)  | IPC2A12LP-ADF40KC-4G-E:6.2m(20.3ft)<br>IPC2A12LP-ADF60KC-4G-E:9.3m(30.5ft)    |

| Illuminator                         | Description  |
|-------------------------------------|--|
| Supplemental Light                  | Dual Light   |
| Illumination Distance (IR)          | 50 m (164.0 ft)  |
| Illumination Distance (Warm Light ) | 30 m (98.4 ft)   |
| Wavelength                          | 850 nm   |
| IR On/Off Control                   | Auto/Manual  |
| Video                               | Description  |
| Video Compression                   | Ultra 265, H.265, H.264, MJPEG   |
| H.264 Code Profile                  | Baseline profile, Main profile, High profile   |
| Frame Rate                          | Main Stream: 1080P (1920*1080), Max 30fps; 720P (1280*720), Max 30fps<br>Sub Stream: 720P (1280*720), Max 30fps; D1 (720*576), Max 30fps; 640*360,Max 30fps; |
| Video Bit Rate                      | 128 Kbps ~ 2048 Kbps   |
| U-code                              | Support  |
| OSD                                 | Up to 8 OSDs   |
| Privacy Mask                        | Up to 4 areas  |
| ROI                                 | Support  |
| Video Stream                        | Dual Streams   |
| Image                               | Description  |
| White Balance                       | Auto, Outdoor, Fine Tune, Sodium Lamp, Locked, Auto2   |
| Digital Noise Reduction             | 2D/3D DNR  |
| Smart IR                            | Support  |
| Flip                                | Normal, Flip Vertical, Flip Horizontal, 180°, 90° Clockwise, 90° Anti-clockwise  |
| Dewarping                           | N/A  |
| HLC                                 | Support  |
| BLC                                 | Support  |
| Defog                               | Digital Defog  |
| Events                              | Description  |
| Basic Detection                     | Motion Detection, Ultra Motion Detection, Tampering Alarm, Audio Detection   |
| General Function                    | Watermark, IP Address Filtering, Access Policy, ARP Protection, RTSP Authentication, User Authentication   |
| Intelligent                         | Description  |

|                            |  |
|----------------------------|--|
| Smart Intrusion Prevention | Cross line detection, Intrusion detection, Enter area detection, Leave area detection<br>(support false alarm filtering and the classification of human, non-motor vehicle and vehicle)                    |
| <b>Audio</b>               | <b>Description</b>   |
| Audio Compression          | G.711U, G.711A   |
| Audio Bitrate              | 64 Kbps  |
| Two-way Audio              | Support  |
| Suppression                | Support  |
| Sampling Rate              | 8 KHz  |
| <b>Storage</b>             | <b>Description</b>   |
| Edge Storage               | Micro SD, up to 512 GB   |
| Network Storage            | ANR, NAS (NFS)   |
| <b>Network</b>             | <b>Description</b>   |
| 4G Network Frequency       | LTE-TDD: Band 38/40/41<br>LTE-FDD: Band 1/3/5/7/8/20/28  |
| 4G Network Standard        | LTE-TDD, LTE-FDD, GSM, EGSM, DCS, PCS  |
| 4G Card Type               | Nano-SIM   |
| Protocols                  | IPv4, IPv6, IGMP, ICMP, ARP, TCP, UDP, DHCP, PPPoE, RTP, RTSP, RTCP, RTMP, DNS, DDNS, NTP, FTP, UPnP, HTTP, HTTPS, QoS, SMTP, 802.1x, SSL/TLS, SNMP  |
| Compatible Integration     | ONVIF (Profile S, Profile G, Profile T),<br>API, SDK   |
| User/Host                  | Up to 32 users. 3 user levels: administrator, common user and operator   |
| Security                   | Password Protection, Strong Password, HTTPS Encryption, Export Operation Logs, Basic and Digest Authentication for RTSP, Digest Authentication for HTTP, TLS 1.2, WSSE and Digest Authentication for ONVIF |
| Client                     | UNV-Link, UNV-Link Pro, EZStation  |
| Web Browser                | Plug-in required live view: IE 10 and above, Chrome 45 and above, Firefox 52 and above, Edge 79 and above, Plug-in free live view: Chrome 57.0 and above, Firefox 58.0 and above, Edge 16 and above        |
| <b>Interface</b>           | <b>Description</b>   |
| Audio I/O                  | 1 Input: impedance 35 k $\Omega$ , amplitude 2 V [p-p], 1 Output: impedance 600 $\Omega$ , amplitude 2 V [p-p]   |
| Alarm I/O                  | 1/1  |
| Serial Port                | N/A  |
| Built-in Mic               | Support  |

|                      |  |
|----------------------|--|
| Built-in Speaker     | Support  |
| WIFI                 | N/A  |
| Network              | 1 x RJ45 10M/100M Base-TX Ethernet   |
| Video Output         | N/A  |
| <b>Certification</b> | <b>Description</b>   |
| Protection           | IP67 (IEC 60529)   |
| <b>General</b>       | <b>Description</b>   |
| Power                | DC 12V±25%   |
| Power Consumption    | Max 6.5W   |
| Power Interface      | Ø 5.5 mm coaxial power plug  |
| Dimensions           | 169×113×96mm (6.7" ×4.4" ×3.8" ) (L x W x H)   |
| Weight               | 0.47kg (1.04lb)  |
| Material             | Graphene + Metal   |
| Working Environment  | -30 °C ~ 60 °C (-22 °F ~ 140 °F), Humidity: ≤95% RH (non-condensing)   |
| Storage Environment  | -30 °C ~ 60 °C (-22 °F ~ 140 °F), Humidity: ≤95% RH (non-condensing)   |
| Surge Protection     | 4 KV   |
| Reset Button         | Support  |
| Web Client Language  | 13 Languages<br>English, Simplified Chinese, Polish, German, Russian, French, Korean, Dutch, Czech, Portuguese, Spanish, Spanish (Europe), Italian |

# Dimensions



**Zhejiang Uniview Technologies Co., Ltd.**

No. 369, Xietong Road, Xixing Sub-district, Binjiang District, Hangzhou City, 310051, Zhejiang Province, China (Zhejiang) Pilot Free Trade Zone, China

Email: [overseasbusiness@uniview.com](mailto:overseasbusiness@uniview.com); [globalsupport@uniview.com](mailto:globalsupport@uniview.com)

<http://www.uniview.com>

©2024 Zhejiang Uniview Technologies Co., Ltd. All rights reserved.

\*Product specifications and availability are subject to change without notice.

\*Despite our best efforts, technical or typographical errors may exist in this document. Uniview cannot be held responsible for any such errors and reserves the right to change the contents of this document without prior notice.