

5MP HD Intelligent Light and Audible Warning Fixed Bullet Network Camera

IPC2B15SS-ADF28(40)KMC-I1



Features

- High quality image with 5MP, 1/2.7"CMOS sensor
- 5MP (2880*1620)@ 30/25(default)fps; 4MP (2560*1440)@ 30/25fps; 3MP (2304*1296) @30/25fps; 2MP (1920*1080) @30/25fps
- Ultra 265, H.265, H.264, MJPEG
- Intelligent perimeter protection, include cross line, intrusion, enter area, leave area detection
- Based on target classification, smart intrusion prevention significantly reduce false alarm caused by leaves, birds and lights etc., accurately focus on human and, motor vehicle and non-motor vehicle
- Intelligent People Flow Counting and Crowd Density Monitoring
- Smart intrusion prevention with Color retrieval
- Auto Scene Match (ASM)(Only WDR)
- 130dB true WDR technology enables clear image in strong light scene
- Support red & blue warning light
- Support 9:16 Corridor Mode
- Alarm:1 in/1 out, Audio: 1 in/1 out, Built-in Mic and Speaker
- Smart IR, up to 40m (131 ft) IR distance

- Supports 512 G Micro SD card
- IP67 protection

Specifications

Model	IPC2B15SS-ADF28KMC-I1	IPC2B15SS-ADF40KMC-I1
Camera		
Max Resolution	5 MP	
Sensor	1/2.7" CMOS	
Min. Illumination	Colour: 0.001 lux (F1.0, AGC ON) 0 Lux with light	
Day/Night	IR-cut filter with auto switch (ICR)	
Shutter	Auto/Manual, 1 ~ 1/100000s	
Adjustment Angle	Pan: 0° ~ 360°, Tilt: 0° ~ 90°, Rotate: 0° ~ 360°	
S/N	>56 dB	
WDR	130 dB	
Lens		
Focal Length	2.8 mm	
Iris Type	Fixed	
Iris	F1.0	
Field of View (H)	112.8°	
Field of View (V)	59.4°	
Field of View (D)	116.3°	
DORI		
DORI Distance (Lens)	2.8mm	
DORI Distance (Detect)	63.0m(206.7ft)	
DORI Distance (Observe)	25.2m(82.7ft)	
DORI Distance (Recognize)	12.6m(41.3ft)	
DORI Distance (Identify)	6.3m(20.7ft)	
Illuminator		
Supplemental Light	Dual light	

Illumination Distance (IR)	IR 40 m, Warm Light 40 m	
Illumination Distance (Warm Light)	IR 40 m, Warm Light 40 m	
IR On/Off Control	Auto/Manual	
Wavelength	850 nm	
Light On/Off Control	Auto/Manual	
Video		
Video Compression	Ultra 265 H.265 H.264 MJPEG	
H.264 Code Profile	Baseline profile, Main profile, High profile	
Frame Rate	Main Stream:5MP (2880*1620), Max 30fps; 4MP (2560*1440), Max 30fps; 3MP (2304*1296), Max 30fps; 1080P (1920*1080), Max 30fps; 720P (1280*720), Max 30fps; Sub Stream: 1080P (1920*1080), Max 30fps; 720P (1280*720), Max 30fps; D1 (720*576), Max 30fps; 640*360, Max 30fps; 2CIF(704*288), Max 30fps; CIF(352*288), Max 30fps; Third Stream: D1 (720*576), Max 30fps; 640*360,Max 30fps; 2CIF(704*288), Max 30fps; CIF(352*288), Max 30fps;	
Video Bit Rate	128 Kbps to 16 Mbps	
U-code	Support	
OSD	Up to 8 OSDs	
Privacy Mask	Up to 4 areas	
ROI	Support	
Video Stream	Triple Streams	
Image		
White Balance	Auto Outdoor Fine Tune Sodium Lamp Locked Auto2	
Digital Noise Reduction	2D/3D DNR	
Smart IR	Support	
Auto Scene Match (ASM)	Support (Only WDR)	

Flip	Normal Vertical Horizontal 180° 90° Clockwise 90° Anti-clockwise	
Dewarping	N/A	
HLC	Support	
BLC	Support	
Defog	Digital Defog	
Intelligent		
Smart Intrusion Prevention	Cross line detection, intrusion detection, enter area detection, leave area detection (support false alarm filtering and the classification of human, non-motor vehicle and vehicle)	
Statistical Analysis	N/A	
People Counting	Support People Flow Counting and Crowd Density Monitoring	
Attribute Collection	SIP with color retrieval	
Events		
Basic Detection	Motion Detection Ultra Motion Detection Tampering Alarm Audio Detection	
General Function	Watermark IP Address Filtering Access Policy ARP Protection RTSP Authentication User Authentication HTTP Authentication Alarm Input Alarm Output	
Audio		
Audio Compression	G.711U G.711A	
Audio Bitrate	64 Kbps	
Two-way Audio	Support	
Suppression	Support	
Sampling Rate	8 kHz	
Storage		
Edge Storage	Micro SD, up to 512 GB	
Network Storage	ANR NAS (NFS)	

Network

Protocols	IPv4 IPv6 IGMP ICMP ARP TCP UDP DHCP PPPoE RTP RTSP RTCP RTMP DNS DDNS NTP FTP UPnP HTTP HTPS SMTP 802.1x SNMP QoS SSL/TLS SSH	
Compatible Integration	ONVIF (Profile S, Profile G, Profile T) API SDK	
User/Host	Up to 32 users. 3 user levels: administrator, common user and operator	
Security	Password Protection Strong Password HTTPS Encryption Export Operation Logs Basic and Digest Authentication for RTSP Digest Authentication for HTTP TLS 1.2 WSSE and Digest Authentication for ONVIF	
Client	UNV-Link UNV-Link Pro EZStation	
Web Browser	Plug-in required live view: IE 10+, Chrome 45+, Firefox 52+, Edge 79+ Plug-in free live view: Chrome 57+, Firefox 58+, Edge 16+	

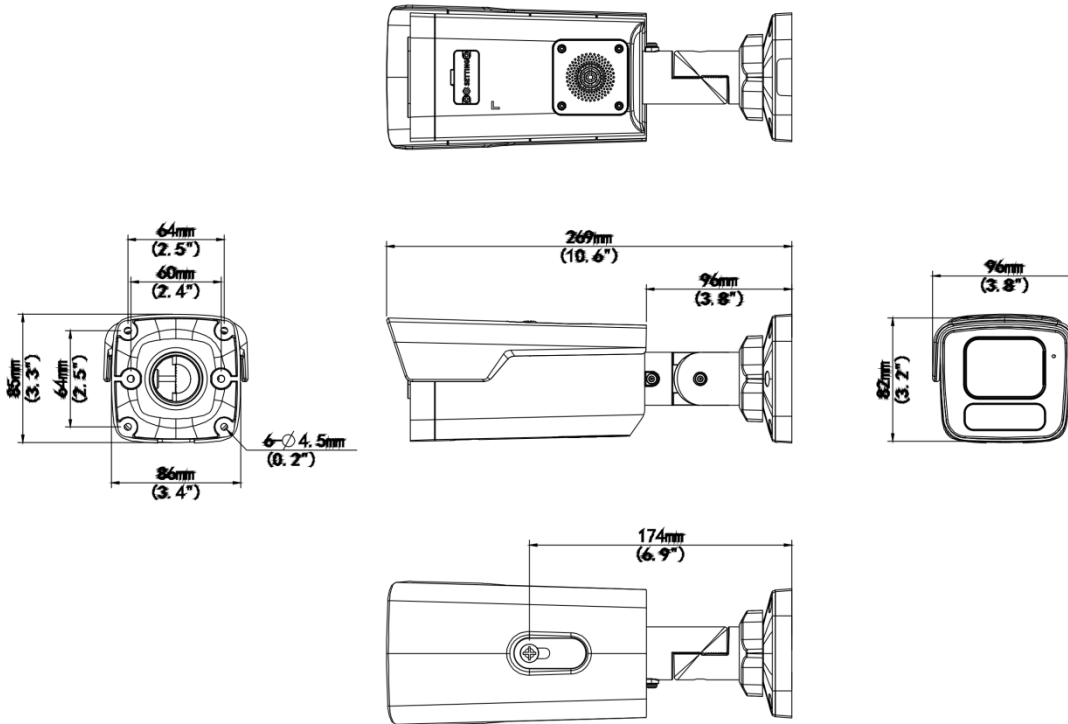
Interface

Audio I/O	1 Input: impedance 35 k Ω , amplitude 2 V [p-p] 1 Output: impedance 600 Ω , amplitude 2 V [p-p]	
Alarm I/O	1/1	
Serial Port	N/A	
Built-in Mic	Support	
Built-in Speaker	Support	
WIFI	N/A	
Network	1 \times RJ45 10 M/100 M Base-TX Ethernet	
Video Output	N/A	

Certification

EMC	CE-EMC (EN 55032, EN 61000-3-3, EN IEC 61000-3-2, EN 50130) FCC (FCC 47 CFR part15 B)	
Safety	CE-LVD (EN 62368-1) CB (IEC 62368-1) UL/CUL (UL 62368-1, CAN/CSA C22.2 No. 62368-1)	
Environment	CE-RoHS (2011/65/EU;(EU)2015/863); WEEE (2012/19/EU)	
Protection	IP67 (IEC 60529)	
General		
Power	DC 12V±25%, PoE (IEEE 802.3af)	
Power Consumption	Max 10.0W	
Power Interface	Ø5.5 mm coaxial power plug	
Dimensions	269 × 96 × 82mm (10.6" × 3.8" × 3.2") (L x W x H)	
Weight	0.97kg (2.14lb)	
Material	Metal + Plastic	
Working Environment	-30 °C to 60 °C (-22 °F to 140 °F), Humidity: ≤ 95% RH (non-condensing)	
Storage Environment	-30 °C to 60 °C (-22 °F to 140 °F), Humidity: ≤ 95% RH (non-condensing)	
Surge Protection	4 KV	
Reset Button	Support	
Web Client Language	20 Languages: Traditional Chinese, English, Simplified Chinese, Polish, German, Russian, French, Korean, Dutch, Czech, Portuguese (Europe), Portuguese (Brazil), Japanese, Thai, Turkish, Spanish (Latin America), Spanish (Europe), Hungarian, Italian, Vietnamese	

Dimensions



Accessories

TR-JB07-D-IN

Bullet Junction Box(Support wiring from behind)



TR-JB06-A-IN

Middle Bullet Junction Box(Elegant White)



TR-UP06-B-IN

Bullet Pole Mounting Bracket



TR-UP06-C-IN

Pole Mounting Bracket for Bullet Junction Box Only



TR-A01-IN

NPT 3/4" Waterproof Cable Gland



TR-UC08-C

Bullet&Dome Corner Mounting Bracket



Zhejiang Uniview Technologies Co., Ltd.

No. 369, Xietong Road, Xixing Sub-district, Binjiang District, Hangzhou City, 310051, Zhejiang Province, China (Zhejiang) Pilot Free Trade Zone, China

Email: overseasbusiness@uniview.com; globalsupport@uniview.com

<http://www.uniview.com>

©2023-2025 Zhejiang Uniview Technologies Co., Ltd. All rights reserved.

*Product specifications and availability are subject to change without notice.

*Despite our best efforts, technical or typographical errors may exist in this document. Uniview cannot be held responsible for any such errors and reserves the right to change the contents of this document without prior notice.