

5MP Panoramic IR Fixed Fisheye Network Camera

IPC815SB-ADF14K-I0



| | | | | | | |
|-----|-----------|--------------|--------------|--------------|-----|-------|
| 5MP | 120dB WDR | 360° Fisheye | Built-in Mic | Edge Storage | POE | IK 10 |
| | | | | | | |

Features

- High quality image with 5MP, 1/2.8"CMOS sensor
- 5MP (2592*1944):@ 30/25fps;
- Ultra 265, H.265, H.264, MJPEG
- 120dB true WDR technology enables clear image in strong light scene
- Built-in 2 Mic, Supports the detection of sounds over longer distances
- Alarm:1 in/1 out, Audio: 1 in/1 out
- Smart IR, up to 10m (33ft) IR distance
- Supports 512 G Micro SD card
- IK10 vandal resistant
- IP66 protection

- Support PoE power supply

Specifications

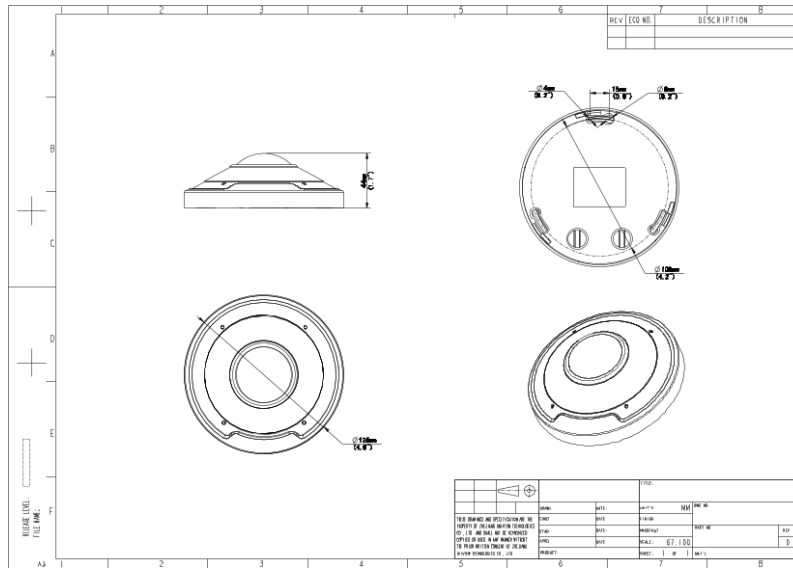
| Camera | Description |
|---------------------------|--|
| Max Resolution | 5MP |
| Sensor | 1/2.8" CMOS |
| Min. Illumination | Colour: 0.01 Lux (F2.0, AGC ON) 0 Lux with IR |
| Day/Night | IR-cut filter with auto switch (ICR) |
| Shutter | Auto/Manual, 1 ~ 1/100000s |
| S/N | >52dB |
| WDR | 120dB |
| Lens | Description |
| Focal Length | 1.4mm |
| Field of View | 360° |
| Iris Type | Fixed |
| Iris | F2.0 |
| Lens Type | Fixed |
| DORI | Description |
| DORI Distance (Lens) | 1.4mm |
| DORI Distance (Detect) | 31.5(103.4ft) |
| DORI Distance (Observe) | 12.6(41.3ft) |
| DORI Distance (Recognize) | 6.3(20.7ft) |
| DORI Distance (Identify) | 3.2(10.5ft) |
| Video | Description |
| Main Stream | 5MP (2592*1944): Max.30fps; |
| Sub Stream | Fisheye View:1080P (1920*1080): Max.30fps; 720P (1280*720), Max 30fps; |
| Third Stream | Fisheye View:D1 (720*576), Max 30fps; 640*360,Max 30fps; 2CIF(704*288), Max 30fps; CIF(352*288), Max 30fps; |
| Video Compression | Ultra 265; H.265; H.264; MJPEG |
| H.264 Code Profile | Baseline profile, Main profile, High profile |

| | |
|----------------------------|--|
| Video Bit Rate | 128 Kbps ~ 16 Mbps |
| U-code | Support |
| OSD | Up to 8 OSDs |
| Privacy Mask | Up to 4 areas |
| ROI | Support |
| Video Stream | Triple Streams |
| Illuminator | Description |
| IR On/Off Control | Auto/Manual |
| Supplemental Light | IR |
| Illumination Distance (IR) | 10 m (32.8 ft) |
| Wavelength | 850 nm |
| Live View Display | Description |
| Hardware Decoding | N/A |
| Software Decoding | <p>Ceiling mount: fisheye view, 360° panorama + 1PTZ, 180° panorama view, fisheye+ 3PTZ, fisheye+4PTZ, fisheye+8PTZ,360° panorama + 6PTZ</p> <p>Table mount: fisheye view, 360° panorama + 1PTZ, 180° panorama view, fisheye+ 3PTZ, fisheye+4PTZ, fisheye+8PTZ,360° panorama + 6PTZ</p> <p>Wall mount: fisheye view, 180° panorama view, 180° panorama view+3PTZ, 180° panorama view+4PTZ, 180° panorama view+8PTZ</p> |
| Image | Description |
| White Balance | Auto; Outdoor; Fine Tune; Sodium Lamp; Locked; Auto2 |
| Digital Noise Reduction | 2D/3D DNR |
| Smart IR | Support |
| Flip | Normal; Flip Vertical; Flip Horizontal; 180° |
| Dewarping | N/A |
| HLC | N/A |
| BLC | Support |
| Defog | Digital Defog |
| Image Stabilization | N/A |
| Intelligent | Description |
| Statistical Analysis | Heat map (Working with management platform) |
| Events | Description |

| | |
|------------------------|--|
| Basic Detection | Motion Detection; Tampering Alarm; Audio Detection |
| General Function | Watermark; IP Address Filtering; Access Policy; ARP Protection; RTSP Authentication; User Authentication; HTTP Authentication |
| Audio | Description |
| Audio Compression | G.711U; G.711A |
| Audio Bitrate | 64 Kbps |
| Two-way Audio | Support |
| Suppression | Support |
| Sampling Rate | 8 KHz |
| Storage | Description |
| Edge Storage | Micro SD, up to 512 GB |
| Network Storage | ANR; NAS (NFS) |
| Network | Description |
| Protocols | IPv4; IPv6; IGMP; ARP; TCP; UDP; DHCP; PPPoE; RTP; RTSP; RTCP; RTMP; DNS; DDNS; NTP; FTP; HTTP; HTTPS; SMTP; 802.1x; SNMP; QoS |
| Compatible Integration | ONVIF (Profile S, Profile G, Profile T); API; SDK |
| User/Host | Up to 32 users. 3 user levels: administrator, common user and operator |
| Security | Password Protection; Strong Password; HTTPS Encryption; Export Operation Logs; Basic and Digest Authentication for RTSP; Digest Authentication for HTTP; TLS 1.2; WSSE and Digest Authentication for ONVIF |
| Client | EZView; EZLive; EZStation |
| Web Browser | Plug-in required live view: IE 10 and above, Chrome 45 and above, Firefox 52 and above, Edge 79 and above |
| Interface | Description |
| Audio I/O | 1 Input: impedance 35k Ω ; amplitude 2V [p-p]; 1 Output: impedance 600 Ω ; amplitude 2V [p-p] |
| Alarm I/O | 1/1 |
| Serial Port | 1 channel RS485 interface |
| Built-in Mic | Built-in two mics |
| Built-in Speaker | N/A |
| Network | 1 x RJ45 10M/100M Base-TX Ethernet |
| Video Output | 1 BNC, impedance 75 Ω ; amplitude 1V [p-p] |

| Certification | Description |
|---------------------|---|
| EMC | FCC CFR 47 Part 15 EN 55032:2015 EN 55024:2010 EN 61000-3-2:2014 EN 61000-3-3-2013 |
| Safety | IEC 62368-1 EN 62368-1 UL 62368-1 |
| Environment | CE-ROHS (2011/65/EU;(EU)2015/863); WEEE (2012/19/EU); REACH (Regulation (EC) No 1907/2006) |
| Protection | IP66 (IEC 60529-2013) IK10 (IEC 62262:2002) |
| General | Description |
| Power | DC12V \pm 25%, PoE (IEEE 802.3af) |
| Power Interface | \varnothing 5.5 mm coaxial power plug |
| Dimensions | \varnothing 125 \times 43.7 mm (\varnothing 4.9" \times 1.7") (\varnothing x H) |
| Weight | 0.36kg (0.79lb) |
| Material | Metal + Plastic |
| Working Environment | -30 °C ~ 60 °C (-22 °F ~ 140 °F), Humidity: \leq 95% RH (non-condensing) |
| Storage Environment | -30 °C ~ 60 °C (-22 °F ~ 140 °F), Humidity: \leq 95% RH (non-condensing) |
| Surge Protection | 4KV |
| Reset Button | Support |
| Web Client Language | 20 Languages Traditional Chinese, English, Simplified Chinese, Polish, German, Russian, French, Korean, Dutch, Czech, Portuguese (Europe), Portuguese (Brazil), Japanese, Thai, Turkish, Spanish (Latin America), Spanish (Europe), Hungarian, Italian, Vietnamese |

Dimensions



Accessories

TR-JB03-H-IN

Junction Box for Metal Turret Camera
(Support wiring from behind)



TR-A01-IN

NPT 3/4" Waterproof Cable Gland



TR-SE24-IN

Dome Pendant Mounting Pole 200m
m



TR-SE24-A-IN

Dome Pendant Mounting Pole 500m
m



TR-CM24-IN

Dome Pendant Mounting Bracket(Indoor)



Zhejiang Uniview Technologies Co., Ltd.

No. 369, Xietong Road, Xixing Sub-district, Binjiang District, Hangzhou City, 310051, Zhejiang Province, China

Email: overseasbusiness@uniview.com; globalsupport@uniview.com

<http://www.uniview.com>

©2023-2024 Zhejiang Uniview Technologies Co., Ltd. All rights reserved.

*Product specifications and availability are subject to change without notice.

*Despite our best efforts, technical or typographical errors may exist in this document. Uniview cannot be held responsible for any such errors and reserves the right to change the contents of this document without prior notice.