

2MP WDR LightHunter IR Network Dome Camera

IPC3232SB-AHDZK-PI-I0



Features

- High quality image with 2MP, 1/2.8" CMOS sensor
- 1920*1080@60fps in the main stream, deliver detailed live while 60fps keeping it smooth and closer to the real image
- Ultra 265, H.265, H.264, MJPEG
- Smart intrusion prevention, support false alarm filtering, include Cross Line, Intrusion, Enter Area, Leave Area detection
- People Counting, support people flow counting and crowd density monitoring, suitable for different statistical scenarios
- LightHunter product technology ensures ultra-high image quality in low illumination environment
- Support 9:16 Corridor Mode
- Up to 120 dB Optical WDR (Wide Dynamic Range)
- DC12V or PoE (IEEE 802.3af) power supply
- Wide voltage range of $\pm 25\%$ in DC

- Audio 1 in and 1 out, Alarm 2 in and 1 out

Specifications

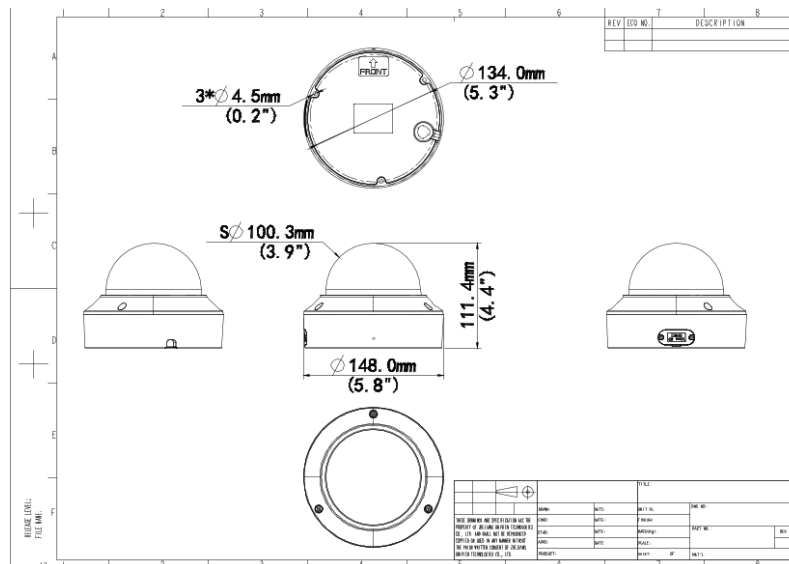
| Camera | Description |
|---------------------------|--|
| Sensor | 1/2.8" CMOS |
| Min. Illumination | Colour:0.001 lux (F1.4, AGC ON) 0 lux with IR |
| Day/Night | IR-cut filter with auto switch (ICR) |
| Shutter | Auto/Manual, 1 ~ 1/100000s |
| Adjustment Angle | Pan: 0° to 355° tilt: 0° to 70° rotate: 0° to 355° |
| WDR | 120dB |
| S/N | >52dB |
| Lens | Description |
| Focal Length | 2.8 ~ 12 mm |
| Digital Zoom | 16X |
| Optical Zoom | 4X |
| Iris Type | P-iris |
| Iris | F1.4 |
| Field of View (H) | 96.6°~32.4° |
| Field of View (V) | 53.1°~18.6° |
| Field of View (D) | 112.8°~37.2° |
| DORI | Description |
| DORI Distance(Lens) | 2.8~12(mm) |
| DORI Distance(Detect) | 43.4m(142.5ft)~186.2m(610.9ft) |
| DORI Distance(Observe) | 17.4m(57.0ft)~74.5m(244.4ft) |
| DORI Distance(Recognize) | 8.7m(28.5ft)~37.2m(122.2ft) |
| DORI Distance(Identify) | 4.3m(14.3ft)~18.6m(61.1ft) |
| Illuminator | Description |
| Illumination Distance(IR) | 40 m (131.2 ft) |

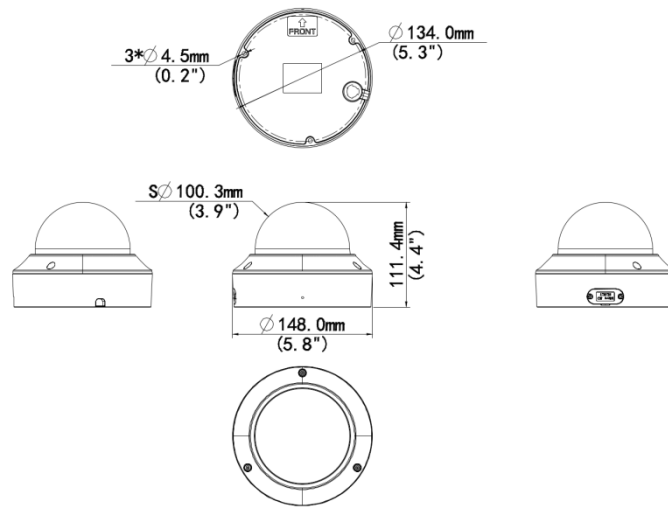
| | |
|----------------------------|--|
| Wavelength | 850 nm |
| IR On/Off Control | Auto/Manual |
| Video | Description |
| Video Compression | Ultra 265; H.265; H.264; MJPEG |
| Frame Rate—Main Stream | 1080P (1920*1080), Max 60fps |
| Frame Rate—Sub Stream | 1080P (1920*1080), Max 60fps |
| Frame Rate-Third Stream | D1 (720*576), Max 60fps |
| Video Bit Rate | 128 Kbps ~ 16 Mbps |
| U-code | Support |
| ROI | Up to 8 areas |
| Video Stream | Triple Streams |
| OSD | Up to 10 OSDs |
| Privacy Mask | Up to 4 areas |
| Image | Description |
| White Balance | Auto; Outdoor; Fine Tune; Sodium Lamp; Locked; Auto2 |
| Digital Noise Reduction | 2D/3D DNR |
| Smart IR | Support |
| Flip | Normal; Flip Vertical; Flip Horizontal; 180°; 90°Clockwise; 90°Anti-clockwise |
| HLC | Support |
| BLC | Support |
| Defog | Digital Defog |
| Heatwave Reduction | N/A |
| Intelligent | Description |
| Smart Intrusion Prevention | Support False Alarm Filtering: Cross Line Detection, Intrusion Detection, Enter Area Detection, Leave Area Detection |
| People Counting | Support People Flow Counting and Crowd Density Monitoring |
| Exception Detection | Object Removed; Object Left Behind; Scene Change |
| Events | Description |
| Basic Detection | Motion Detection; Tampering Alarm; Audio Detection |
| General Function | Watermark; IP Address Filtering; Access Policy; ARP Protection; RTSP Authentication; User Authentication; HTTP Authentication; Alarm Input; Alarm Output |
| Audio | Description |

| | |
|------------------------|--|
| Audio Compression | G.711U; G.711A |
| Audio Bitrate | 128 Kbps |
| Two-way Audio | Support |
| Suppression | Support |
| Sampling Rate | 16KHZ |
| Storage | Description |
| Edge Storage | Micro SD, up to 512 GB |
| Network Storage | ANR; NAS (NFS) |
| Network | Description |
| Protocols | SSH; IGMP; RTP; RTCP; SMTP; IPv4; IPv6; ICMP; ARP; TCP; UDP; DHCP; PPPoE; RTSP; RTMP; DNS; DDNS; NTP; FTP; UPnP; HTTP; HTTPS; 802.1x; SNMP; QoS; SSL/TLS |
| Compatible Integration | ONVIF (Profile S, Profile G, Profile T, Profile M); API; SDK |
| User/Host | Up to 32 users. 3 user levels: administrator, common user and operator |
| Security | TLS1.3; Password Protection; Strong Password; HTTPS Encryption; Export Operation Logs; Basic and Digest Authentication for RTSP; Digest Authentication for HTTP; TLS 1.2; WSSE and Digest Authentication for ONVIF |
| Client | UNV-Link; UNV-Link Pro; EZStation |
| Web Browser | Plug-in required live view: IE 10 and above, Chrome 45 and above, Firefox 52 and above, Edge 79 and above; Plug-in free live view: Chrome 57.0 and above, Firefox 58.0 and above, Edge 16 and above |
| Interface | Description |
| Audio I/O | 1/1 |
| Alarm I/O | 2/1 |
| Serial Port | 1 channel RS485 interface |
| Built-in Mic | Support |
| Network | 1 x RJ45 10M/100M Base-TX Ethernet |
| Video Output | 1 BNC |
| Certification | Description |
| EMC | CE-EMC (EN 55032: 2015+A1:2020,EN 61000-3-3: 2013+A1: 2019,EN IEC 61000-3-2: 2019+A1: 2021,EN 55035: 2017+A11:2020) FCC (FCC CFR 47 part15 B, ANSI C63.4-2014) |
| Safety | CE LVD (EN 62368-1:2014+A11:2017) UL (UL 62368-1, 2nd Ed., Issue Date: 2014-12-01) |

| | |
|---------------------|--|
| Environment | CE-RoHS (2011/65/EU;(EU)2015/863); WEEE (2012/19/EU); Reach (Regulation (EC) No 1907/2006) |
| Protection | IP67 (IEC 60529:1989+AMD1:1999+AMD2:2013) IK10 (IEC 62262:2002) |
| General | Description |
| Power | DC12V(±25%), PoE(IEEE 802.3af) |
| Power Consumption | Max 8W |
| Power Interface | Ø 5.5mm coaxial power plug |
| Dimensions | Φ 148mm x 111.4mm (5.8'' x 4.38'') |
| Weight | 0.93kg(2.16lb) |
| Working Environment | -30 °C ~ 60 °C (-22 °F ~ 140 °F), Humidity: ≤95% RH (non-condensing) |
| Storage Environment | -40 °C ~ 70 °C (-40 °F ~ 158 °F), Humidity: ≤95% RH (non-condensing) |
| Surge Protection | 6KV |
| Web Client Language | 22 Languages Traditional Chinese, English, Simplified Chinese, Polish, German, Russian, French, Korean, Dutch, Czech, Portuguese (Europe), Portuguese (Brazil), Japanese, Thai, Turkish, Spanish (Latin America), Spanish (Europe), Hungarian, Italian, Vietnamese, Arabic, Slovak |

Dimensions





Zhejiang Uniview Technologies Co., Ltd.

No. 369, Xietong Road, Xixing Sub-district, Binjiang District, Hangzhou City, 310051, Zhejiang Province, China

Email: overseasbusiness@uniview.com; globalsupport@uniview.com

<http://www.uniview.com>

©2023-2024 Zhejiang Uniview Technologies Co., Ltd. All rights reserved.

*Product specifications and availability are subject to change without notice.

*Despite our best efforts, technical or typographical errors may exist in this document. Uniview cannot be held responsible for any such errors and reserves the right to change the contents of this document without prior notice.