

Thermal & Optical Bi-spectrum Network Positioning System Camera TIC7626EL-GAF75-4X56-VH1



Features

- Thermal & Optical dual-spectrum image, dual video with single IP address, adaptable to various scenes
- Passive infrared thermal imaging, meets the requirement of concealed monitoring and is not affected by bad weather conditions such as fog, smoke, rain, snow, and night
- Thermal channel supports fire detection, and the optical channel can link to the fire position and zoom in for more accurate fire situation judgment
- Thermal & optical dual-spectrum smart intrusion prevention can be enabled simultaneously : cross line, enter area, leave area, intrusion, support smart tracking
- Optical channel supports 4 MP@60 fps, providing smoother motion images
- Optical channel supports gyroscope stabilization for stable pictures
- Optical channel supports heat wave reduction, which can reduce heat wave phenomena and improve image quality
- Vari-focal laser: 800 m (2624.7 ft) distance, proportional to optical zoom of camera module
- Rain-sensing auto wiper, providing clear images in harsh weather
- Supports 1/1 audio in/out, 7/2 alarm in/out, 1 serial port RS485
- Power supply: DC 48 V \pm 25%, DC 24 V \pm 15%, AC 24 V \pm 25%
- IP66

Specifications

Channel	Optical	Thermal
Camera		
Max Resolution	4 MP	2 MP
Original Resolution	N/A	640 × 512
Sensor	1/1.8" CMOS	Vanadium oxide uncooled focal plane arrays
Min. Illumination	Colour : 0.0003lux(F1.2, AGC ON) B/W : 0.0001lux(F1.2, AGC ON) 0 Lux with Laser	N/A
Day/Night	IR-cut filter with auto switch (ICR)	N/A
Pixel Size	N/A	12 um
NETD	≤ 40 mk@F1.0@25 °C	
Shutter	Auto/Manual, 1 to 1/100000 s	
WDR	120 dB	
S/N	>52 dB	
Lens		
Focal Length	6 ~ 336 mm	75mm
Optical Zoom	56X	N/A
Iris	F1.2 to F4.6	F1.0
Field of View (H)	57.9°~ 1.6°	6.1°
Field of View (V)	34.6°~ 0.9°	4.8°
Field of View (D)	71.2°~ 1.9°	7.2°
DORI		
DORI Distance (Detect)	155.5m(510.1ft)~4829.4m(15844.5ft)	N/A
DORI Distance (Observe)	62.2m(204.0ft)~1931.8m(6337.8ft)	N/A
DORI Distance (Recognize)	31.1m(102.0ft)~965.9m(3168.9ft)	N/A
DORI Distance (Identify)	15.5m(51.0ft)~482.9m(1584.4ft)	N/A
Illuminator		
Illumination Distance (IR)	Up to 800m(2624.7ft)	N/A
Video		
Video Resolution	Main Stream: 4MP (2688×1520): Max.60fps; Sub Stream: 2MP (1920×1080): Max.60fps; Third Stream: D1(720 × 576): Max.60fps;	1080P(1920*1080), Max.30fps
Video Compression	Ultra 265, H.265, H.264, MJPEG	
Video Bit Rate	128 Kbps to 16 Mbps	
U-code	Support	
ROI	Support	
Video Stream	Triple streams	
OSD	Up to 8 OSDs	
Privacy Mask	24 areas, up to 8 areas per scene	N/A
Image		
White Balance	Auto, Outdoor, Fine tune, Sodium lamp,	N/A

	Locked, Auto2	
Digital Noise Reduction	2D/3D DNR	
Flip	Normal, Flip vertical, Flip horizontal, 180°	
Defog	Digital defog, Optical defog	N/A
Low Illumination Characteristics	ColorHunter with Wise-ISP	
Intelligent		
Smart Intrusion Prevention	Cross line detection, intrusion detection (support false alarm filtering and the classification of human, non-motor vehicle and vehicle)	Cross line detection, intrusion detection, enter area detection, leave area detection (support false alarm filtering and the classification of human and vehicle)
Smoke Detection	Support	N/A
Auto Tracking	Support tracking targets automatically, capturing detailed information at a distance	
Detection distance for vehicles (4 × 1.4 meters)	N/A	1500m
Detection distance for personnel (1.8 × 0.5 meters)	N/A	750m
Events		
Fire Detection	N/A	Support
Basic Detection	Motion detection, Tampering alarm, Audio detection	N/A
General Function	Watermark, IP address filtering, Access policy, ARP protection, RTSP authentication, User authentication, HTTP authentication, Alarm input, Alarm output	
Detection distance for fire (2 × 2 meters)	N/A	4500m
UMD (Ultra Motion Detection)	Support	N/A
Audio		
Audio Compression	G.711U, G.711A	
Audio Bitrate	128 Kbps	
Two-way Audio	Support	
Sampling Rate	16KHZ	
Storage		
Edge Storage	MicroSD, up to 512 GB	
Network Storage	ANR, NAS (NFS)	
Network		
Protocols	IGMP, RTP, SMTP, IPv4, IPv6, ICMP, ARP, TCP, UDP, DHCP, PPPoE, RTSP, RTCP, RTMP, DNS, DDNS, NTP, FTP, UPnP, HTTP, HTTPS, 802.1x, SNMP, QoS, SSL/TLS, SSH	
Compatible Integration	ONVIF (Profile S, Profile G, Profile T), API, SDK	
User/Host	Up to 32 users. 3 user levels: administrator, common user and operator	
Client	EZStation, UNV-Link, UNV-Link Pro	
PTZ		
Pan Range	360° (endless)	
Pan Speed	0.02°/s ~ 140°/s	

Tilt Range	-90° ~ 45°	
Tilt Speed	0.02° ~ 50°/s	
Number of Presets	1024	
Preset Image Freeze	Support	
Home Position	Support	
Number of Presets (IPC)	1024	
3D Positioning	Support	
Number of Patrol	16	
Interface		
Audio I/O	1 Input: impedance 1 kΩ, amplitude 2.5 V [p-p], 1 Output: impedance 600 Ω, amplitude 2 V [p-p]	
Alarm I/O	7/2	
Serial Port	1 × RS485	
Network	1 × RJ45 10 M/100 M/1000 M Base-TX Ethernet + 1 × 100 M/1000 M SFP	
Video Output	N/A	1 BNC (for debugging)
General		
Power	DC 48V±25%、DC 24V±15%、AC 24V±25%	
Power Consumption	Max 135W	
Power Interface	Wires with cold-pressed terminal	
Dimensions	366 x 283 x 509 mm (14.4" x 11.1" x 20.0")(L x W x H)	
Weight	17.98kg(39.64lb)	
Working Environment	-40 °C to 70 °C (-40 °F to 158 °F), Humidity: ≤ 95% RH (non-condensing)	
Storage Environment	-40 °C to 70 °C (-40 °F to 158 °F), Humidity: ≤ 95% RH (non-condensing)	
Surge Protection	6 KV	
Reset Button	Support	
RTC	Support	
Web Client Language	22 Languages: Traditional Chinese, English, Simplified Chinese, Polish, German, Russian, French, Korean, Dutch, Czech, Portuguese (Europe), Portuguese (Brazil), Japanese, Thai, Turkish, Spanish (Latin America), Spanish (Europe), Hungarian, Italian, Vietnamese, Arabic, Slovak	
Certification		
Protection	IP66	
Environment	CE-RoHS (2011/65/EU;(EU)2015/863);WEEE(2012/19/EU)	
EMC	CE-EMC (EN 55032, EN 61000-3-3, EN IEC 61000-3-2, EN 55035) FCC(FCC47CFRpart15B)	
Live View		
OSD Font	Vector	
OSD Character Number	40	

DRI Description

The optimal detection, recognition, and identification distances are calculated according to Johnson’s Criteria.

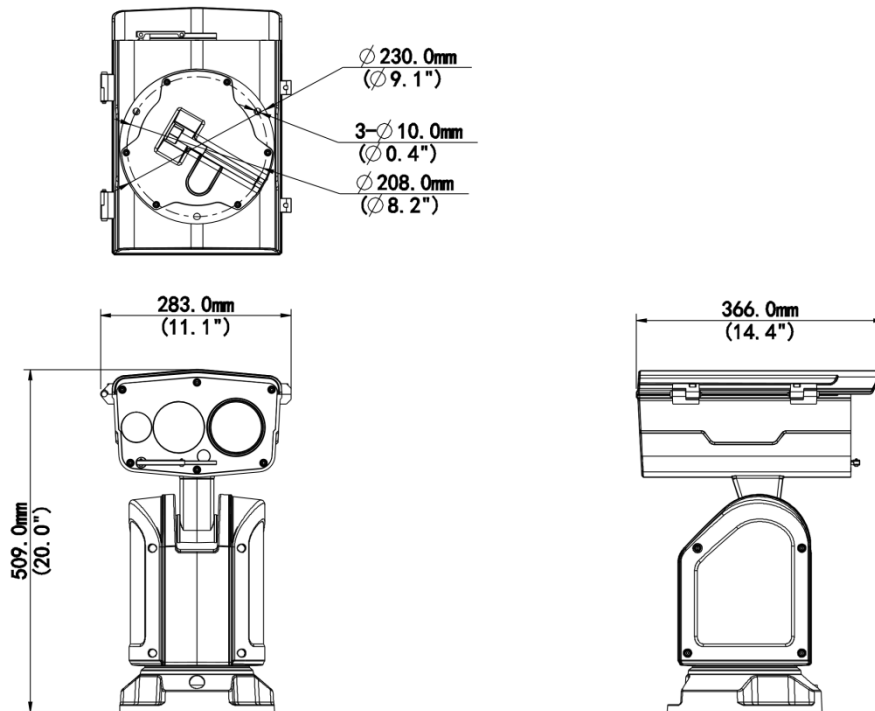
Detection Range: In order to distinguish an object from the background, the object must be covered by 1.5 or more pixels.

Recognition Range: In order to classify the object (animal, human, vehicle, etc.), the object must be covered by 6 or more pixels.

Identification Range: In order to identify the object and describe it in details, the object must be covered by 12 or more pixels.

Detection Range (Vehicles: 4.0 × 1.4 m)	Detection Range (Humans: 1.8 × 0.5 m)	Recognition Range (Vehicles: 4.0 × 1.4 m)	Recognition Range (Humans: 1.8 × 0.5 m)	Identification Range (Vehicles: 1.4 × 4.0 m)	Identification Range (Humans: 1.8 × 0.5 m)
8385m	3248m	2096m	812m	1398m	541m

Dimensions



Accessories

TR-WM08-B

Wall Mounting Bracket for Explosion-proof
Pan-Tilt



Unlimited New View

Zhejiang Uniview Technologies Co., Ltd.

 <http://www.uniview.com>

 overseasbusiness@uniview.com; globalsupport@uniview.com

 No. 369, Xietong Road, Xixing Sub-district, Binjiang District, Hangzhou City, 310051, Zhejiang Province, China



©2023-2025 Zhejiang Uniview Technologies Co., Ltd. All rights reserved.

*Product specifications and availability are subject to change without notice.

Despite our best efforts, technical or typographical errors may exist in this document. Uniview cannot be held responsible for any such errors and reserves the right to change the contents of this document without prior notice.