

5MP Parking Space Detection Camera

PKC1150@4-Z28-C-P



Features

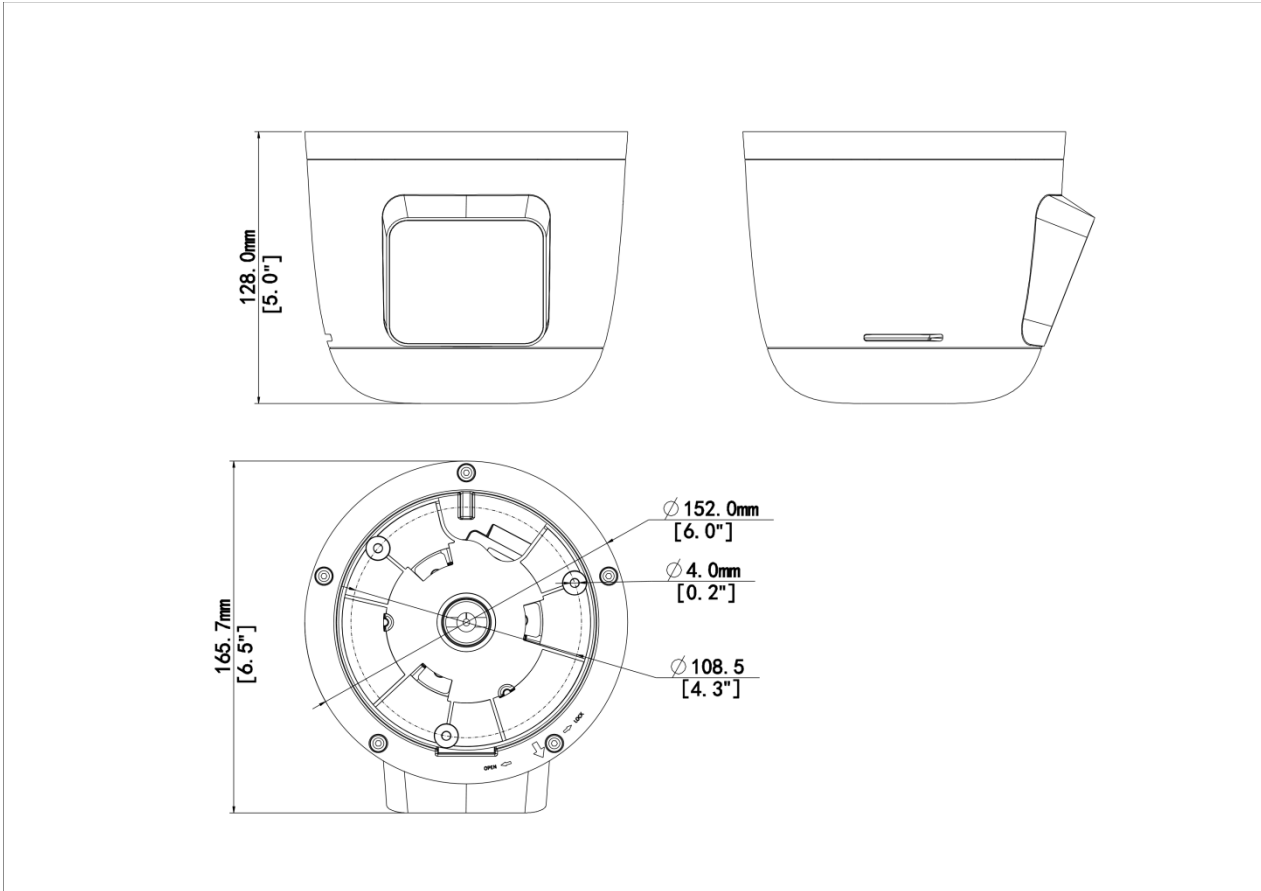
- Optics
 - Built-in 2.8mm to 12mm zoom lens.
- Compression
 - Supports main stream, sub stream, and third stream video output.
 - Advanced H.265 encoding technology improves compression efficiency.
 - Custom OSD allows various vehicle information to be overlaid on the video image.
- Smart
 - Built-in intelligent vehicle algorithm.
 - Supports motion detection, tampering detection, cross line detection, and alarm-triggered actions.
- Structure
 - Electric PTZ, supports the pan range of -10° to -35°.
 - PoE (802.3af) power supply.
 - 7-color indicator allows to configure idle, occupied, and alarm scenarios.
 - Built-in mic and speaker.
 - IP66 protection.

Specifications

Model	PKC1150@4-Z28-C-P
-------	-------------------

Camera	
Sensor	1/2.7" 5MP CMOS
Focal length	2.8mm to 12mm zoom lens
Shutter	1/100000 to 1/25s
Lens type	zoom lens
Minimum illumination	0.002lux (F1.35-F2.68)
FOV	Horizontal FOV: 107.8° to 33.8°, Vertical FOV: 55.9° to 17.6°, Diagonal FOV: 129.4° to 42.4°
Image	
Resolution	Main stream: 2880*1620, 2304*1296, 1080P, 720P; Sub stream: 1080P, 720P, D1, 2CIF, CIF; Third stream: D1, 2CIF, CIF
Frame rate	30, 25, 22, 20, 18, 16, 15, 12.5, 10, 8, 6, 5, 4, 3, 2, 1
Video compression	H.264 (default), H.265
ROI	Support, up to 8 areas
Video OSD	Supports customized OSD on live view and photo
Image OSD	Supports customized OSD on live view and photo
Privacy mask	Support, up to 4 areas
Interface	
Network interface	1 x 10M/100M adaptive Ethernet electrical interface
Serial port	1 x RS485
Boolean output	1 x alarm output
Boolean input	2 x alarm input
Built-in mic	Support
Built-in speaker	Support
Service Config	
Third-party server	Two photo servers via HTTP, VIID, and FTP protocols; MQTT server via MQTT protocol
Smart	
Parking space detection	Supports 4 parking space detection and 4 plate recognition
Parking space detection rate	99.5%
Structure	
Dimensions (D x W x H)	152mm x 167mm x 128mm
Indicator	7-color LED indicator, displays the parking space status
Electric PTZ	Pan range: -10° to -35°
Mount method	Adapter panel
General	
Power supply	DC 12V±25%, PoE (802.3af), supports 12V 100mA power backfeed
Weight	0.9kg
Operating environment	-30°C to 60°C
Ingress protection	IP66

Dimensions



Ordering Info

Product Model	Config	Description
PKC1150	4-Z28-C-P	5MP Parking Space Detection Camera

Zhejiang Uniview Technologies Co., Ltd.

No. 369, Xietong Road, Xixing Sub-district, Binjiang District, Hangzhou City, 310051, Zhejiang Province, China

Email: overseasbusiness@uniview.com; globalsupport@uniview.com

<http://www.uniview.com>

©2024-2025 Zhejiang Uniview Technologies Co., Ltd. All rights reserved.

*Product specifications and availability are subject to change without notice.

*Despite our best efforts, technical or typographical errors may exist in this document. Uniview cannot be held responsible for any such errors and reserves the right to change the contents of this document without prior notice.