

Dual-channel Dome Junction Box

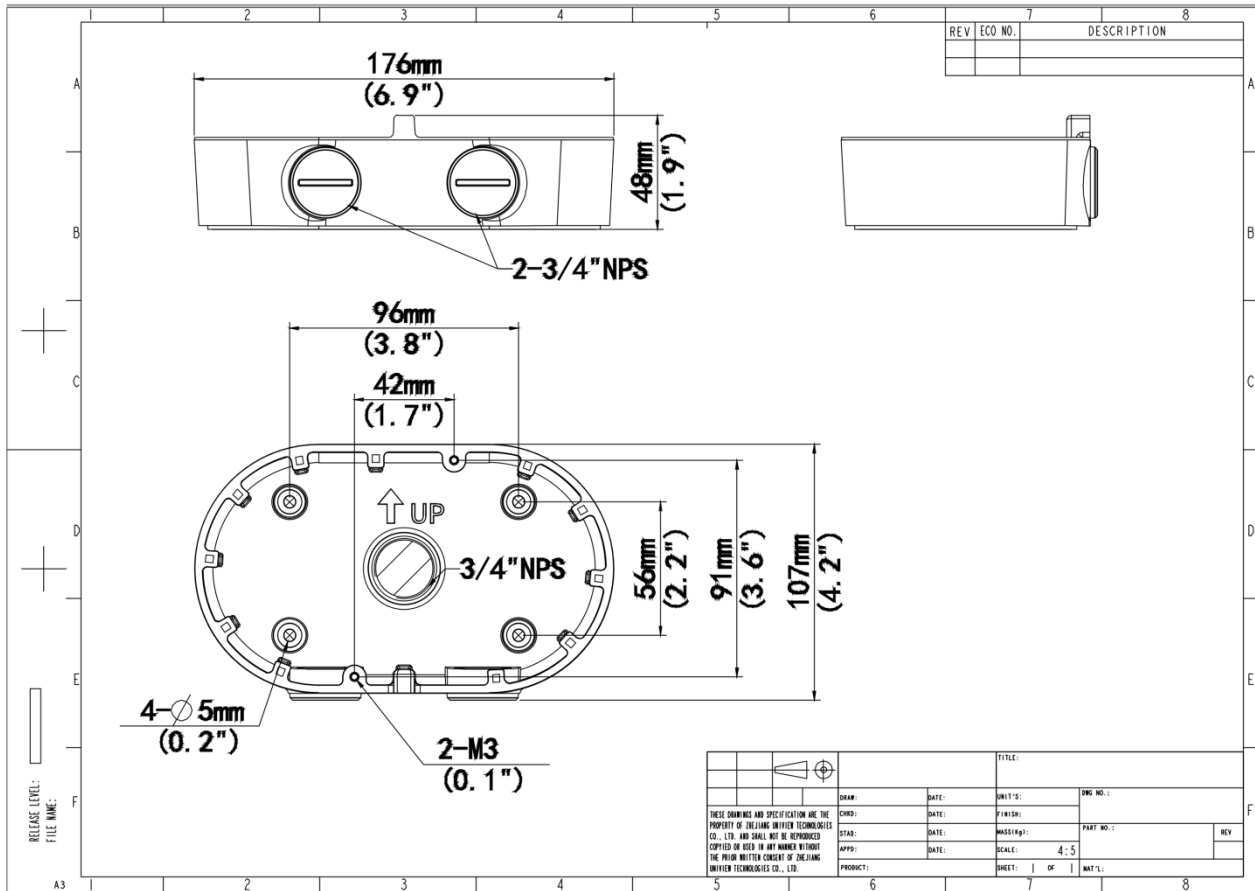
TR-JB08



Specifications

Model	TR-JB08
Bracket	
Application	Junction box for IPC322XSS Series Dual-channel Dome
Bracket Dimensions	Φ176mm x 107mm x 48mm (6.9" x 4.2" x 1.9")
Bracket Weight	0.24kg(0.53lb)
Bracket Material	Aluminum alloy

Dimensions



Zhejiang Uniview Technologies Co., Ltd.

No. 369, Xietong Road, Xixing Sub-district, Binjiang District, Hangzhou City, 310051, Zhejiang Province, China (Zhejiang) Pilot Free Trade Zone, China

Email: overseasbusiness@uniview.com; globalsupport@uniview.com

<http://www.uniview.com>

©2024-2025 Zhejiang Uniview Technologies Co., Ltd. All rights reserved.

*Product specifications and availability are subject to change without notice.

*Despite our best efforts, technical or typographical errors may exist in this document. Uniview cannot be held responsible for any such errors and reserves the right to change the contents of this document without prior notice.