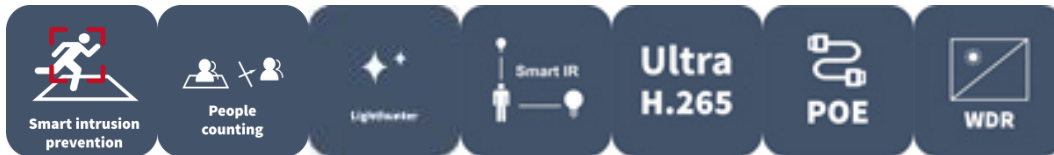


# 2MP 16X LightHunter Network PTZ Dome Camera

IPC6412LR-X16-VG



## Features

- High quality image with 2MP, 1/2.8" CMOS sensor
- 1920\*1080@30fps in the main stream
- Ultra 265, H.265, H.264, MJPEG
- 16X optical zoom allows for closer viewing of subjects
- Smart intrusion prevention, support false alarm filtering, include Cross Line, Intrusion, Enter Area, Leave Area detection
- automatic selection of best snapshots
- People counting, support people flow counting and crowd density monitoring, suitable for different statistical scenarios
- LightHunter technology ensures ultra-high image quality in low illumination environment
- Smart IR, up to 100m (328ft) IR distance
- Micro SD, up to 512GB
- DC 12V±25% or PoE+ (IEEE 802.3at)
- IP66 ingress protection

## Specifications

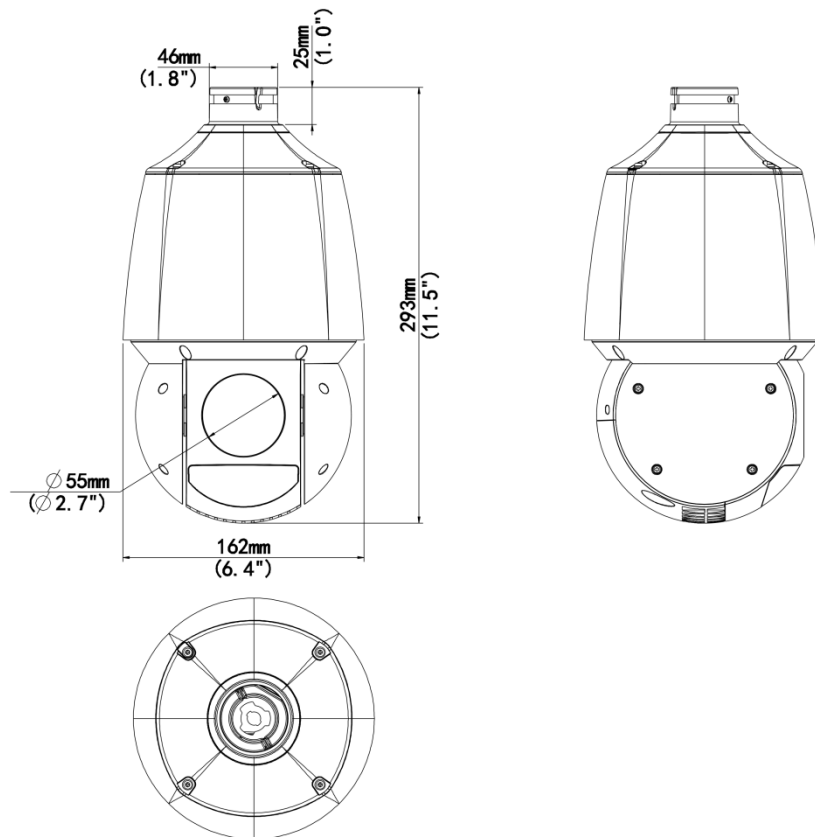
Model	IPC6412LR-X16-VG
<b>Camera</b>	
Sensor	1/2.8" CMOS
Min. Illumination	Colour: 0.003 Lux (F1.7, AGC ON) 0 Lux with IR
Day/Night	IR-cut filter with auto switch (ICR)
Shutter	Auto/Manual, 1 ~ 1/100000s
WDR	120 dB
S/N	>52 dB
<b>Lens</b>	
Focal Length	5 to 80 mm
Optical Zoom	16X
Iris	F1.7 - F2.8
Field of View (H)	51.70° ~ 4.89°
Field of View (V)	30.49° ~ 2.75°
Field of View (D)	63.59° ~ 5.77°
<b>DORI</b>	
DORI Distance (Lens)	5~80(mm)
DORI Distance (Detect)	77.6m~1241.4m(254.5ft~4072.8ft)
DORI Distance (Observe)	31.0m~496.6m(101.8ft~1629.1ft)
DORI Distance (Recognize)	15.5m~248.3m(50.9ft~814.6ft)
DORI Distance (Identify)	7.8m~124.1m(25.5ft~407.3ft)
<b>Illuminator</b>	
Illumination Distance (IR)	100 m (328.1 ft)
IR On/Off Control	Auto/Manual
Wavelength	850 nm
<b>Video</b>	
Privacy Mask	24 areas, up to 4 areas per scene
Video Compression	Ultra 265, H.265, H.264, MJPEG

Frame Rate	Main Stream: 2MP(1920*1080),Max 30fps Sub Stream: 720P(1280*720), Max 30fps Third Stream: D1 (720*576), Max 30fps
Video Bit Rate	128 Kbps to 16 Mbps
U-code	Support
ROI	Support
Video Stream	Triple Streams
OSD	Up to 8 OSDs
<b>Intelligent</b>	
Exception Detection	Object Removed, Object Left Behind
People Counting	Support People Flow Counting and Crowd Density Monitoring
Smart Intrusion Prevention	Cross line detection, intrusion detection, enter area detection, leave area detection (support false alarm filtering and the classification of human, non-motor vehicle and vehicle)
Multi-target Detection	N/A
<b>Image</b>	
Defog	Digital Defog
White Balance	Auto, Outdoor, Fine Tune, Sodium Lamp, Locked, Auto2
Digital Noise Reduction	2D/3D DNR
Flip	Normal, Flip Vertical, Flip Horizontal, 180°
HLC	Support
BLC	Support
Smart IR	Support
Heatwave Reduction	Support
<b>Events</b>	
Basic Detection	Motion Detection, Tampering Alarm, Object Removed, Object Left Behind
General Function	Watermark, IP Address Filtering, Access Policy, ARP Protection, RTSP Authentication, User Authentication
<b>Storage</b>	
Edge Storage	Micro SD, up to 512 GB
Network Storage	ANR, NAS (NFS)
<b>Network</b>	

User/Host	Up to 32 users. 3 user levels: administrator, common user and operator
Protocols	SSH, IGMP, RTP, RTCP, SMTP, IPv4, IPv6, ICMP, ARP, TCP, UDP, DHCP, PPPoE, RTSP, RTMP, DNS, DDNS, NTP, FTP, UPnP, HTTP, HTTPS, 802.1x, SNMP, QoS, SSL/TLS
Compatible Integration	ONVIF (Profile S, Profile G, Profile T), API, SDK
Security	TLS1.3, Password Protection, Strong Password, HTTPS Encryption, Export Operation Logs, Basic and Digest Authentication for RTSP, Digest Authentication for HTTP, TLS 1.2, WSSE and Digest Authentication for ONVIF
Client	EZStation, UNV-Link, UNV-Link Pro
Web Browser	Plug-in required live view: IE 10+, Chrome 45+, Firefox 52+, Edge 79+
<b>PTZ</b>	
Number of Presets	1024
Route Patrol	16 patrols, up to 32 actions for each patrol
Recorded Patrol	16 patrols, up to 128 actions for each patrol
Preset Patrol	16 patrols, up to 64 presets for each patrol
Patrol Stay Time	15 s to 1800 s
Preset Image Freeze	N/A
Home Position	Support
Pan Range	360° (endless)
Pan Speed	-15° ~ 90° (auto reverse)
Tilt Range	0.1°/s ~ 80°/s
Tilt Speed	0.1°/s ~ 80°/s
<b>Interface</b>	
Audio I/O	N/A
Alarm I/O	N/A
Serial Port	N/A
WIFI	N/A
Built-in Mic	N/A
Built-in Speaker	N/A
Network	1 × RJ45 10 M/100 M Base-TX Ethernet
Video Output	N/A
<b>Certification</b>	

EMC	CE-EMC (EN 55032: 2015+A1:2020,EN 61000-3-3: 2013+A1: 2019,EN IEC 61000-3-2: 2019+A1: 2021,EN 55035: 2017+A11:2020) FCC (FCC CFR 47 part15 B, ANSI C63.4-2014)
Safety	CE LVD (EN 62368-1:2014+A11:2017) UL (UL 62368-1, 2nd Ed., Issue Date: 2014-12-01)
Environment	CE-RoHS (2011/65/EU;(EU)2015/863)
Protection	IP66 (IEC 60529:1989+AMD1:1999+AMD2:2013)
<b>General</b>	
Power	DC12V(±25%,3A), PoE+(IEEE 802.3at)
Power Consumption	MAX 20W
Power Interface	Ø5.5 mm coaxial power plug
Dimensions	Ø 162 x 293mm (Ø 6.4" x 11.5") (Ø x H)
Weight	1.79kg (3.95lb)
Working Environment	-40 °C to 65 °C (-40 °F to 149 °F), Humidity: ≤ 95% RH (non-condensing)
Storage Environment	-40 °C to 70 °C (-40 °F to 158 °F), Humidity: ≤ 95% RH (non-condensing)
Surge Protection	6 KV
Reset Button	Support
Web Client Language	22 Languages: Traditional Chinese, English, Simplified Chinese, Polish, German, Russian, French, Korean, Dutch, Czech, Portuguese (Europe), Portuguese (Brazil), Japanese, Thai, Turkish, Spanish (Latin America), Spanish (Europe), Hungarian, Italian, Vietnamese, Arabic, Slovak

## Dimensions



### Zhejiang Uniview Technologies Co., Ltd.

No. 369, Xietong Road, Xixing Sub-district, Binjiang District, Hangzhou City, 310051, Zhejiang Province, China (Zhejiang) Pilot Free Trade Zone, China

Email: [overseasbusiness@uniview.com](mailto:overseasbusiness@uniview.com); [globalsupport@uniview.com](mailto:globalsupport@uniview.com)

<http://www.uniview.com>

©2023-2025 Zhejiang Uniview Technologies Co., Ltd. All rights reserved.

\*Product specifications and availability are subject to change without notice.

\*Despite our best efforts, technical or typographical errors may exist in this document. Uniview cannot be held responsible for any such errors and reserves the right to change the contents of this document without prior notice.