

# 4MP 41X LightHunter Intelligent Network Positioning System IPC7624ER-X41-VH1



## Features

- 2688 × 1520@60 fps in the main stream
- 41X optical zoom
- Smart intrusion prevention, supports false alarm filtering: cross line detection, intrusion detection, enter area detection
- Leave area detection
- automatic selection of best snapshots, supports face detection masked area
- People counting, supports people flow counting and crowd density monitoring
- Supports optical defog, self-adaptive defog
- LightHunter technology ensures ultra-high image quality in low illumination environment
- Smart IR, up to 400 m (1312.3 ft) IR distance
- Rain-sensing auto wiper
- Power supply: DC±48 V±25%, DC 24 V±15% (DC 20 V to DC 60 V), AC 24 V±25%
- Alarm I/O: 7/2, audio I/O: 1/1
- IP67 ingress protection

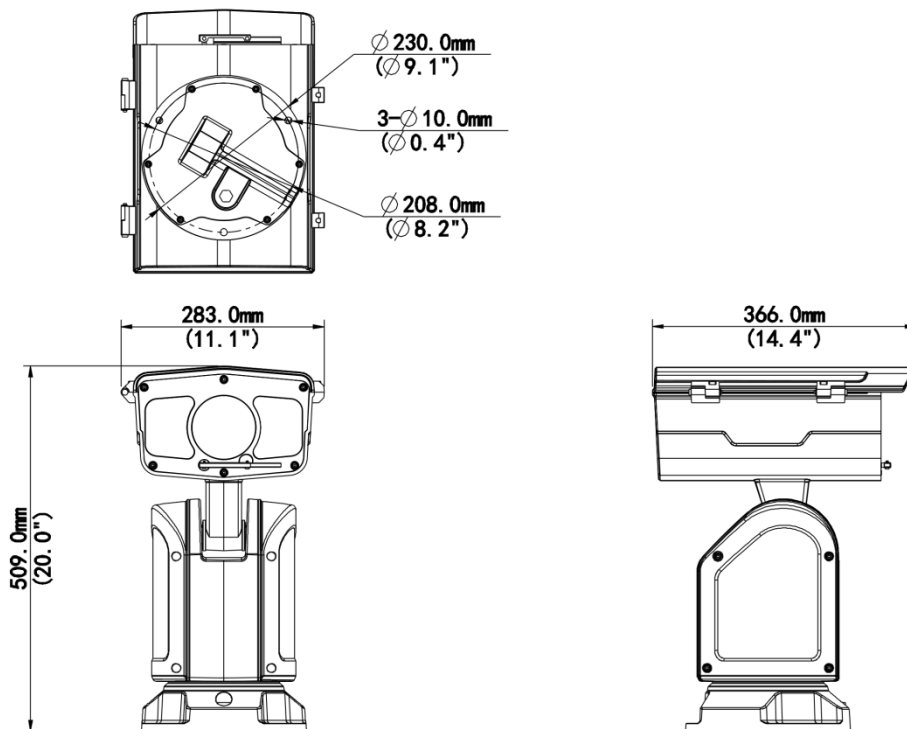
## Specifications

| Model                      | IPC7624ER-X41-VH1  |
|----------------------------|--|
| <b>Camera</b>              |  |
| Sensor                     | 1/1.8" CMOS  |
| Min. Illumination          | Color: 0.0005 Lux (F1.2, AGC ON), 0 Lux with IR  |
| Day/Night                  | IR-cut filter with auto switch (ICR)   |
| Shutter                    | Auto/Manual, 1 to 1/100000 s   |
| WDR                        | 120 dB   |
| S/N                        | >56 dB   |
| <b>Lens</b>                |  |
| Focal Length               | 6~246mm  |
| Digital Zoom               | 16X  |
| Optical Zoom               | 41X  |
| Iris                       | F1.2(W)~F4.6(T)  |
| Field of View (H)          | 59.47° (W) to 2.21° (T)  |
| Field of View (V)          | 35.62° (W) to 1.21° (T)  |
| Field of View (D)          | 77.3° (W) to 2.6° (T)  |
| <b>DORI</b>                |  |
| DORI Distance (Lens)       | 6 to 246 mm  |
| DORI Distance (Detect)     | 107.2 m to 3330 m (351.7 ft. to 10925.2 ft.)   |
| DORI Distance (Observe)    | 42 m to 1332 m (140 ft. to 4370 ft.)   |
| DORI Distance (Recognize)  | 21.0 m to 666 m (68.9 ft. to 2185.0 ft.)   |
| DORI Distance (Identify)   | 10.0 m to 333.0 m (32.8 ft. to 1092.5 ft.)   |
| <b>Video</b>               |  |
| Privacy Mask               | 24 areas, up to 8 areas per scene  |
| Video Compression          | Ultra 265, H.265, H.264, MJPEG   |
| Frame Rate                 | Main Stream: 4 MP (2688 × 1520), max. 60 fps;<br>Sub Stream: 1080P (1920 × 1080), max. 60 fps;<br>Third Stream: D1 (720 × 576), max. 60 fps  |
| Video Bit Rate             | 128Kbps~16384Kbps  |
| U-code                     | Support  |
| ROI                        | Support  |
| Video Stream               | Triple streams   |
| OSD                        | Up to 10 OSDs  |
| <b>Intelligent</b>         |  |
| Multi-target Detection     | Support  |
| Smart Intrusion Prevention | Cross line detection, intrusion detection, enter area detection, leave area detection (support false alarm filtering and the classification of human, non-motor vehicle and vehicle) |
| People Counting            | Support people flow counting and crowd density detection   |
| <b>Image</b>               |  |
| White Balance              | Auto, Outdoor, Fine tune, Sodium lamp, Locked, Auto2   |
| Digital Noise Reduction    | 2D/3D DNR  |

|                            |  |
|----------------------------|--|
| Flip                       | Normal, Flip vertical, Flip horizontal, 180°   |
| HLC                        | Support  |
| BLC                        | Support  |
| Defog                      | Support  |
| <b>Events</b>              |  |
| Basic Detection            | Motion detection, Ultra motion detection, Tampering alarm, Audio detection, Voltage detection, Object removed, Object Left Behind  |
| General Function           | Watermark, IP address filtering, Alarm input, Alarm output, Access policy, ARP protection, RTSP authentication, User authentication, HTTP authentication   |
| <b>Audio</b>               |  |
| Audio Compression          | G.711U, G.711A   |
| Audio Bitrate              | 128 Kbps   |
| Two-way Audio              | Support  |
| Suppression                | Support  |
| Sampling Rate              | 16KHZ  |
| <b>Storage</b>             |  |
| Edge Storage               | MicroSD, up to 512 GB  |
| Network Storage            | ANR, NAS (NFS)   |
| <b>Illuminator</b>         |  |
| IR On/Off Control          | Auto/Manual  |
| Wavelength                 | 850 nm   |
| Illumination Distance (IR) | 400 m (1312.3 ft.)   |
| <b>Network</b>             |  |
| Protocols                  | IPv4, IGMP, ICMP, ARP, TCP, UDP, DHCP, PPPoE, RTP, RTSP, RTCP, DNS, DDNS, NTP, FTP, UPnP, HTTP, HTTPS, 802.1x, SNMP, QoS, RTMP, SSL/TLS, IPv6  |
| Compatible Integration     | ONVIF (Profile S, Profile G, Profile T), API, SDK  |
| User/Host                  | Up to 32 users. 3 user levels: administrator, common user and operator   |
| Security                   | Password Protection, Strong Password, HTTPS Encryption, Export Operation Logs, Basic and Digest Authentication for RTSP, Digest Authentication for HTTP, TLS 1.2, WSSE and Digest Authentication for ONVIF |
| Client                     | EZStation, UNV-Link, UNV-Link Pro  |
| Web Browser                | Plug-in required live view: IE 10 and above, Chrome 45 and above, Firefox 52 and above, Edge 79 and above  |
| <b>PTZ</b>                 |  |
| Number of Presets          | 1024   |
| Preset Patrol              | 16 patrols, up to 64 presets for each patrol   |
| Route Patrol               | 16 patrols, up to 32 actions for each patrol   |
| Recorded Patrol            | Support  |
| Patrol Stay Time           | 15 s to 1800 s   |
| Preset Image Freeze        | Support  |
| Home Position              | Support  |
| Pan Range                  | 360° (endless)   |
| Tilt Range                 | 45° to -90°  |

|                      |  |
|----------------------|--|
| Pan Speed            | 0.1°/s to 140°/s   |
| Tilt Speed           | 0.1°/s to 50°/s  |
| <b>Interface</b>     |  |
| Audio I/O            | 1 Input: impedance 1 kΩ, amplitude 2.5 V [p-p], 1 Output: impedance 600 Ω, amplitude 2.5 V [p-p]                                 |
| Alarm I/O            | 7/2  |
| Serial Port          | 1 * RS485  |
| Network              | 1 × RJ45 1000 M Base-TX Ethernet   |
| Video Output         | 1 BNC (for debugging)  |
| <b>Certification</b> |  |
| EMC                  | CE-EMC (EN 55032:2015, EN 50130-4:2011+A1:2014, EN 61000-3-2:2014, EN 61000-3-3:2013) FCC (FCC CFR 47 part15 B, ANSI C63.4-2014) |
| Safety               | CE LVD (EN IEC 62368-1:2020+A11:2020) UL (UL UL 62368-1, 3rd Ed., 2021-10-22)  |
| Environment          | CE-ROHS (2011/65/EU; (EU)2015/863)   |
| Protection           | IP67 (IEC 60529:1989+AMD1:1999+AMD2:2013)  |
| <b>General</b>       |  |
| Power                | DC±48 V±25%, DC 24 V±15% (DC 20 V to DC 60 V), AC 24 V±25%   |
| Power Consumption    | Max. 103 W   |
| Power Interface      | Wires with cold-pressed terminal   |
| Dimensions           | 366 mm × 283 mm × 509 mm (14.4" × 11.1" × 20.0") (L × W × H)   |
| Weight               | 14.76 kg (32.54 lb.)   |
| Working Environment  | -40°C ~ 70°C (-40°F ~ 158°F), Humidity: ≤95% RH (non-condensing)   |
| Storage Environment  | -40°C ~ 70°C (-40°F ~ 158°F), Humidity: ≤95% RH (non-condensing)   |
| Surge Protection     | 6 KV   |
| Reset Button         | Support  |
| <b>Configurable</b>  |  |
| P/N                  | Support  |

## Dimensions



## Accessories

### TR-WM08-B

Wall Mounting Bracket for Explosion-proof  
Pan-Tilt



# Unlimited New View

## Zhejiang Uniview Technologies Co., Ltd.



<http://www.uniview.com>



[overseasbusiness@uniview.com](mailto:overseasbusiness@uniview.com); [globalsupport@uniview.com](mailto:globalsupport@uniview.com)



No. 369, Xietong Road, Xixing Sub-district, Binjiang District, Hangzhou City, 310051, Zhejiang Province, China



©2023-2025 Zhejiang Uniview Technologies Co., Ltd. All rights reserved.

\*Product specifications and availability are subject to change without notice.

Despite our best efforts, technical or typographical errors may exist in this document. Uniview cannot be held responsible for any such errors and reserves the right to change the contents of this document without prior notice.