

# 5MP WDR Starlight IR Network MiniPTZ Dome Camera

IPC6215SR-X5PAEW-VG



## Features

- High quality image with 5MP, 1/2.7" CMOS sensor
- 2880\*1620@30fps in the main stream, 16:9 aspect ratio
- Ultra 265, H.265, H.264, MJPEG
- 5X optical zoom allows for closer viewing of subjects
- Smart intrusion prevention, support false alarm filtering, include Cross Line, Intrusion, Enter Area, Leave Area detection
- automatic selection of best snapshots
- LightHunter technology ensures ultra-high image quality in low illumination environment
- Up to 120 dB Optical WDR (Wide Dynamic Range)
- Wi-Fi connection and easy installation
- Built-in Mic & Speaker, support two-way audio
- Alarm 1 in and 1 out
- Audio 1 in and 1 out
- Built-in DC12V output
- Smart IR, up to 30m (98 ft) IR distance

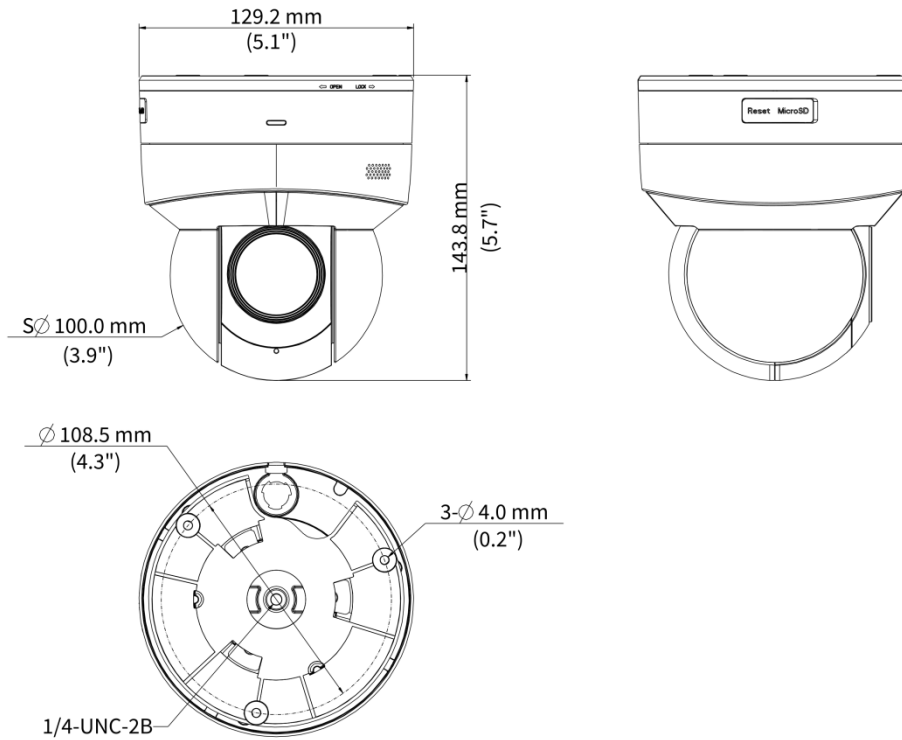
## Specifications

|                            |   |
|----------------------------|---|
| Model                      | IPC6215SR-X5PAEW-VG   |
| <b>Camera</b>              |   |
| Sensor                     | 1/2.7" CMOS   |
| Min. Illumination          | Colour:0.003 lux (F1.2, AGC ON)<br>0 lux with IR  |
| Day/Night                  | IR-cut filter with auto switch (ICR)  |
| Shutter                    | Auto/Manual, 1 to 1/100000 s  |
| WDR                        | 120 dB  |
| S/N                        | >56dB   |
| <b>Lens</b>                |   |
| Focal Length               | 2.7 to 13.5 mm  |
| Optical Zoom               | 5X  |
| Iris                       | F1.2  |
| Field of View (H)          | 104.9° ~ 30.6°  |
| Field of View (V)          | 55.4° ~ 17.7°   |
| Field of View (D)          | 129.0° ~ 39.8°  |
| <b>DORI</b>                |   |
| DORI Distance (Lens)       | 2.7~13.5(mm)  |
| DORI Distance (Detect)     | 70.9m~247.5m(232.5ft~812.0ft)   |
| DORI Distance (Observe)    | 28.4m~99.0m(93.0ft~324.8ft)   |
| DORI Distance (Recognize)  | 14.2m~49.5m(46.5ft~162.4ft)   |
| DORI Distance (Identify)   | 7.1m~24.8m(23.3ft~81.2ft)   |
| <b>Illuminator</b>         |   |
| Illumination Distance (IR) | 30 m (98.4 ft)  |
| Wavelength                 | 850 nm  |
| Light On/Off Control       | Auto/Manual   |
| <b>Video</b>               |   |
| Video Compression          | Ultra 265, H.265, H.264, MJPEG  |
| Frame Rate                 | Main Stream: 5MP (2880*1620),Max 30fps;<br>Sub Stream: 720P (1280*720), Max 30fps;<br>Third Stream: D1 (720*576), Max 30fps |
| Video Bit Rate             | 128 Kbps to 16 Mbps   |
| Privacy Mask               | 24 areas, up to 4 areas per scene   |
| U-code                     | Support   |
| ROI                        | Support   |
| Video Stream               | Triple Streams  |
| OSD                        | Up to 8 OSDs  |
| <b>Image</b>               |   |
| Defog                      | Digital Defog   |
| White Balance              | Auto, Outdoor, Fine Tune, Sodium Lamp, Locked, Auto2  |

|                            |   |
|----------------------------|---|
| Digital Noise Reduction    | 2D/3D DNR   |
| Smart IR                   | Support   |
| Flip                       | Normal, Flip Vertical, Flip Horizontal, 180°  |
| HLC                        | Support   |
| BLC                        | Support   |
| <b>Intelligent</b>         |   |
| Exception Detection        | Object Removed, Object Left Behind, Scene Change, Defocus Detection   |
| Smart Intrusion Prevention | Cross line detection, intrusion detection, enter area detection, leave area detection (support false alarm filtering and the classification of human, non-motor vehicle and vehicle)  |
| <b>Events</b>              |   |
| Basic Detection            | Motion Detection, Tampering Alarm, Audio Detection, Object Removed, Object Left Behind, Scene Change, Defocus Detection   |
| General Function           | Watermark, IP Address Filtering, Alarm Input, Alarm Output, Access Policy, ARP Protection, RTSP Authentication, User Authentication   |
| <b>General</b>             |   |
| Built-in DC12V Output      | Support   |
| Power                      | DC12V(±25%), PoE+(IEEE 802.3at)   |
| Power Consumption          | 18W   |
| Power Interface            | Ø5.5 mm coaxial power plug  |
| Dimensions                 | Ø 129 x 143.6 mm (Ø 5.1" x 5.7") (Ø x H)  |
| Weight                     | 780g  |
| Working Environment        | -10 °C to 50 °C (14 °F to 122 °F), Humidity: ≤ 95% RH (non-condensing)  |
| Storage Environment        | -40 °C to 70 °C (-40 °F to 158 °F), Humidity: ≤ 95% RH (non-condensing)   |
| Surge Protection           | 4 KV  |
| Reset Button               | Support   |
| Web Client Language        | 22 Languages: Traditional Chinese, English, Simplified Chinese, Polish, German, Russian, French, Korean, Dutch, Czech, Portuguese (Europe), Portuguese (Brazil), Japanese, Thai, Turkish, Spanish (Latin America), Spanish (Europe), Hungarian, Italian, Vietnamese, Arabic, Slovak |
| <b>Audio</b>               |   |
| Audio Compression          | G.711U, G.711A  |
| Audio Bitrate              | 128 Kbps  |
| Two-way Audio              | Support   |
| Suppression                | Support   |
| Sampling Rate              | 16 kHz  |
| <b>Storage</b>             |   |
| Edge Storage               | Micro SD, up to 512 GB  |
| Network Storage            | ANR, NAS (NFS)  |
| <b>PTZ</b>                 |   |
| Pan Range                  | 350°  |
| Pan Speed                  | 0.1°/s ~ 60°/s  |
| Tilt Range                 | 0° ~ 90°  |
| Tilt Speed                 | 0.1° ~ 50°/s  |
| Number of Presets          | 1024  |

|                        |  |
|------------------------|--|
| Preset Patrol          | 16 patrols, up to 64 presets for each patrol   |
| Patrol Stay Time       | 120 s to 1800 s  |
| Home Position          | Support  |
| <b>Network</b>         |  |
| Protocols              | SSH, IGMP, RTP, RTCP, SMTP, IPv4, IPv6, ICMP, ARP, TCP, UDP, DHCP, PPPoE, RTSP, RTMP, DNS, DDNS, NTP, FTP, UPnP, HTTP, HTTPS, 802.1x, SNMP, QoS, SSL/TLS   |
| Compatible Integration | ONVIF (Profile S, Profile G, Profile T), API, SDK  |
| User/Host              | Up to 32 users. 3 user levels: administrator, common user and operator   |
| Security               | TLS1.3, Password Protection, Strong Password, HTTPS Encryption, Export Operation Logs, Basic and Digest Authentication for RTSP, Digest Authentication for HTTP, TLS 1.2, WSSE and Digest Authentication for ONVIF |
| Client                 | EZStation, UNV-Link, UNV-Link Pro  |
| Web Browser            | Plug-in required live view: IE 10+, Chrome 45+, Firefox 52+, Edge 79+  |
| <b>Interface</b>       |  |
| Audio I/O              | 1 Input: impedance 1 k $\Omega$ , amplitude 2.5 V [p-p], 1 Output: impedance 600 $\Omega$ , amplitude 2.5 V [p-p]  |
| Alarm I/O              | 1/1  |
| Serial Port            | 1 * RS485  |
| Built-in Mic           | Support  |
| Built-in Speaker       | Support  |
| WIFI                   | Support  |
| Network                | 1 $\times$ RJ45 10 M/100 M Base-TX Ethernet  |
| <b>Certification</b>   |  |
| EMC                    | CE-EMC (EN 55032:2015+A11:2020+A1:2020,EN 61000-3-3:2013+A1:2019+A2:2021,EN IEC 61000-3-2: 2019+A1: 2021, EN 50130-4:2011+A1:2014<br>FCC (47 CFR Part 15, Subpart B, ANSI C63.4-2014)                              |
| Safety                 | UL (UL 62368-1, 2nd Ed., Issue Date: 2014-12-01)<br>CAN/CSA C22.2 NO. 62368-1-14, 2nd Ed., Issue Date:2014-12-01<br>EN IEC 62368-1:2020+A11:2020   |
| Environment            | CE-RoHS (2011/65/EU;(EU)2015/863); WEEE (2012/19/EU);  |

## Dimensions



## Accessories

TR-UF45-A-IN

Dome Indoor Ceiling Mounting Pedestal



TR-SE45-A-IN

Dome Ceiling Mounting Pole 500



TR-SE45-IN

Dome Ceiling Mounting Pole 200



TR-CE45-IN

Dome Indoor Ceiling Mounting Bracket



TR-WE45-IN

Dome Wall Mounting Bracket



TR-WE45-A-IN

Long Wall Mounting Bracket for Dome



TR-JB12-IN

Dome Junction Box



TR-WE45-B-IN

Dome Gooseneck Bracket



TR-UP08-A-IN

Dome Pole Mounting Bracket



TR-UP08-B-IN

Aluminium Alloy Pole Mounting Bracket



TR-UC08-A-IN

Dome Corner Mounting Bracket



TR-UC08-B-IN

Aluminium Alloy Corner Mounting Bracket



**Zhejiang Uniview Technologies Co., Ltd.**

No. 369, Xietong Road, Xixing Sub-district, Binjiang District, Hangzhou City, 310051, Zhejiang Province, China

Email: [overseasbusiness@uniview.com](mailto:overseasbusiness@uniview.com); [globalsupport@uniview.com](mailto:globalsupport@uniview.com)

<http://www.uniview.com>

©2024-2025 Zhejiang Uniview Technologies Co., Ltd. All rights reserved.

\*Product specifications and availability are subject to change without notice.

\*Despite our best efforts, technical or typographical errors may exist in this document. Uniview cannot be held responsible for any such errors and reserves the right to change the contents of this document without prior notice.