

# 2MP 45X LightHunter IR Network Camera

IPC6852ER-X45-VF



## Features

- High quality image with 2MP, 1/1.8" CMOS sensor
- 1920\*1080@30fps in the main stream
- Ultra 265, H.265, H.264, MJPEG
- 45X Optical Zoom
- Smart intrusion prevention, support false alarm filtering, include Cross Line, Intrusion, Enter Area, Leave Area detection
- People Counting, support people flow counting and crowd density monitoring, suitable for different statistical scenarios
- Lighthunter technology ensures ultra-high image quality in low illumination environment
- Smart IR, up to 250m (820ft) IR distance
- AC 24V  $\pm$ 25%, DC 24V  $\pm$ 25%, PoE++ (IEEE 802.3bt) power supply
- Alarm 7 in and 2 out, Audio 1 in and 1 out
- IP66 ingress protection

## Specifications

Camera	Description
--------	-------------

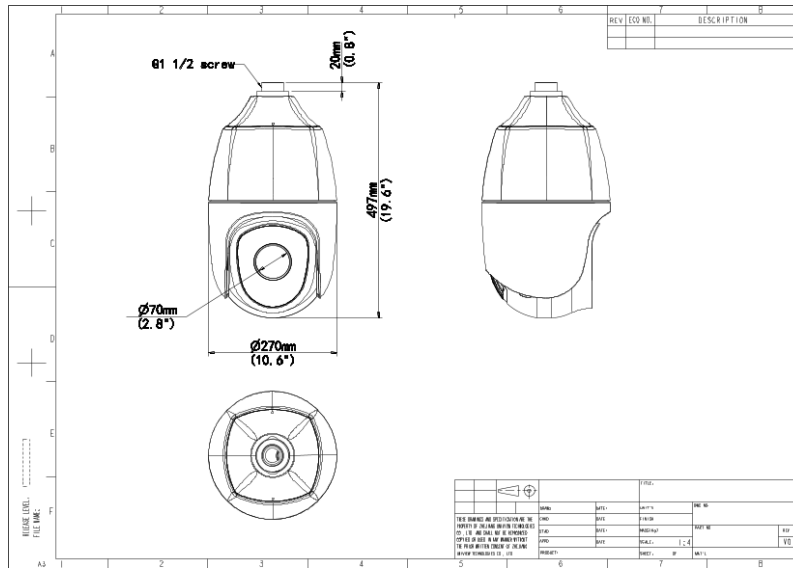
Sensor	1/1.8" CMOS
Min. Illumination	Colour: 0.0005Lux (F1.2, AGC ON) 0Lux with IR
Day/Night	IR-cut filter with auto switch (ICR)
Shutter	Auto/Manual, 1 ~ 1/100000s
WDR	120dB
S/N	>52dB
<b>Lens</b>	<b>Description</b>
Focal Length	5.7 ~ 256.5 mm
Digital Zoom	16X
Optical Zoom	45X
Iris	F1.2 ~ F4.6
Field of View (H)	59.5° ~ 2.2°
Field of View (V)	35.6° ~ 1.2°
Field of View (D)	73.19° ~ 2.60°
<b>DORI</b>	<b>Description</b>
DORI Distance (Lens)	5.7~256.5(mm)
DORI Distance (Detect)	88.4m~3980.2m(290.2ft~13058.3ft)
DORI Distance (Observe)	35.4m~1592.1m(116.1ft~5223.3ft)
DORI Distance (Recognize)	17.7m~796.0m(58.0ft~2611.7ft)
DORI Distance (Identify)	8.8m~398.0m(29.0ft~1305.8ft)
<b>Illuminator</b>	<b>Description</b>
Illumination Distance (IR)	250m
IR On/Off Control	Auto/Manual
Wavelength	850 nm
<b>Video</b>	<b>Description</b>
Video Compression	Ultra 265; H.265; H.264; MJPEG
Frame Rate	Main Stream: 2MP (1920*1080), Max 30fps Sub Stream: 2MP (1920*1080), Max 30fps Third Stream: D1 (720*576), Max 30fps
Video Bit Rate	128 Kbps ~ 16 Mbps

Privacy Mask	24 areas, up to 4 areas per scene
U-code	Support
ROI	Support
Video Stream	Triple Streams
OSD	Up to 10 OSDs
<b>Image</b>	Description
EIS	Support
Defog	Digital Defog; Optical Defog
White Balance	Auto; Outdoor; Fine Tune; Sodium Lamp; Locked; Auto2
Digital Noise Reduction	2D/3D DNR
Smart IR	Support
Flip	Normal; Flip Vertical; Flip Horizontal; 180°
HLC	Support
BLC	Support
Heatwave Reduction	Support
<b>Intelligent</b>	Description
Exception Detection	Object Removed; Object Left Behind
Smart Intrusion Prevention	Cross line detection, Intrusion detection, Enter area detection, Leave area detection (support false alarm filtering and the classification of human, non-motor vehicle and vehicle)
People Counting	Support People Flow Counting and Crowd Density Monitoring
<b>Events</b>	Description
Basic Detection	Motion Detection; Tampering Alarm; Audio Detection; Object Removed; Object Left Behind
General Function	Watermark; IP Address Filtering; Access Policy; ARP Protection; RTSP Authentication; User Authentication; Alarm Input; Alarm Output
<b>Audio</b>	Description
Audio Compression	G.711U; G.711A
Audio Bitrate	128 Kbps
Two-way Audio	Support
Suppression	Support
Sampling Rate	16KHZ
<b>Storage</b>	Description
Edge Storage	Micro SD, up to 512 GB

Network Storage	ANR; NAS (NFS)
<b>PTZ</b>	Description
Pan Range	360° (endless)
Pan Speed	0.1°/s ~ 180°/s
Tilt Range	- 15° ~ 90° (auto reverse)
Tilt Speed	0.1°/s ~ 180°/s
Route Patrol	16 patrols, up to 32 actions for each patrol
Number of Presets	1024
Recorded Patrol	16 patrols, up to 128 actions for each patrol
Preset Patrol	16 patrols, up to 64 presets for each patrol
Patrol Stay Time	15s ~ 1800s
Preset Image Freeze	Support
Home Position	Support
<b>Network</b>	Description
Protocols	SSH; IGMP; RTP; RTCP; SMTP; IPv4; IPv6; ICMP; ARP; TCP; UDP; DHCP; PPPoE; RTSP; RTMP; DNS; DDNS; NTP; FTP; UPnP; HTTP; HTTPS; 802.1x; SNMP; QoS; SSL/TLS
Compatible Integration	ONVIF (Profile S, Profile G, Profile T, Profile M); API; SDK
User/Host	Up to 32 users. 3 user levels: administrator, common user and operator
Security	TLS1.3; Password Protection; Strong Password; HTTPS Encryption; Export Operation Logs; Basic and Digest Authentication for RTSP; Digest Authentication for HTTP; TLS 1.2; WSSE and Digest Authentication for ONVIF
Client	EZStation; UNV-Link; UNV-Link Pro
Web Browser	Plug-in free live view: Chrome 57.0 and above, Firefox 58.0 and above, Edge 16 and above
<b>Interface</b>	Description
Audio I/O	1 Input: impedance 1k $\Omega$ ; amplitude 2.5V [p-p]; 1 Output: impedance 600 $\Omega$ ; amplitude 2.5V [p-p]
Alarm I/O	7/2
Serial Port	1 * RS485
Built-in Mic	N/A
Built-in Speaker	N/A
WIFI	N/A

Network	1 x RJ45 10M/100M Base-TX Ethernet
Video Output	N/A
<b>Certification</b>	<b>Description</b>
EMC	CE-EMC (EN 55032:2015+A11:2020; EN IEC 61000-3-2:2019; EN 61000-3-3:2013+A1:2019; EN 55035:2017+A11:2020) FCC (FCC CFR 47 part15 B, ANSI C63.4-2014)
Safety	CE LVD (EN 62368-1:2014+A11:2017) UL (UL 62368-1, 2nd Ed., Issue Date: 2014-12-01)
Environment	CE-ROHS (2011/65/EU;(EU)2015/863)
Protection	IP66 (IEC 60529:1989+AMD1:1999+AMD2:2013)
<b>General</b>	<b>Description</b>
Power	AC 24V ±25%, DC 24V±25%, PoE++ (IEEE 802.3bt)
Power Consumption	Max 61W
Power Interface	Wires with cold-pressed terminal
Dimensions	Ø 270 x 497mm (Ø 10.6" x 19.6") (Ø x H)
Weight	10.3kg(22.66lb)
Working Environment	-40 °C ~ 70 °C (-40 °F ~ 158 °F), Humidity: ≤95% RH (non-condensing)
Storage Environment	-40 °C ~ 70 °C (-40 °F ~ 158 °F), Humidity: ≤95% RH (non-condensing)
Surge Protection	6KV
Reset Button	Support
Web Client Language	22 Languages Traditional Chinese, English, Simplified Chinese, Polish, German, Russian, French, Korean, Dutch, Czech, Portuguese (Europe), Portuguese (Brazil), Japanese, Thai, Turkish, Spanish (Latin America), Spanish (Europe), Hungarian, Italian, Vietnamese, Arabic, Slovak

# Dimensions



**Zhejiang Uniview Technologies Co., Ltd.**

No. 369, Xietong Road, Xixing Sub-district, Binjiang District, Hangzhou City, 310051, Zhejiang Province, China

Email: [overseasbusiness@uniview.com](mailto:overseasbusiness@uniview.com); [globalsupport@uniview.com](mailto:globalsupport@uniview.com)

<http://www.uniview.com>

©2023-2024 Zhejiang Uniview Technologies Co., Ltd. All rights reserved.

\*Product specifications and availability are subject to change without notice.

\*Despite our best efforts, technical or typographical errors may exist in this document. Uniview cannot be held responsible for any such errors and reserves the right to change the contents of this document without prior notice.