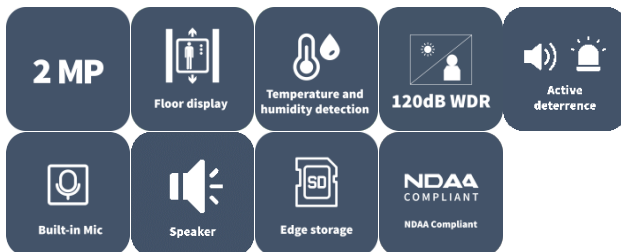


## 2MP HD Active Deterrence Mini Dome Network Camera for elevator IPC312LP-ADF20KC-DL



## Features

Note: Floor info is estimated using built-in sensors. Accuracy may be affected by airflow or pressure near vents, temperature/pressure gaps between elevator interior and exterior, vibration from unstable installation or nearby machines, and long elevator downtime.

- High quality image with 1080P, 1/2.8" CMOS sensor
- 1080P (1920 × 1080)@30/25 fps; 720P (1280 × 720)@30/25 fps
- 126° wide field of view covers larger monitoring area
- Supports elevator entrance detection, based on target classification, accurately focuses on electric moped and bicycle
- Supports active deterrence. When elevator entrance detection is triggered, the camera links sound alarm and white light linkage
- Supports the real-time display of elevator floor information and status on the live OSD
- Supports accurate tampering detection powered by excellent TOF sensor
- Supports real-time display of temperature and humidity data on the live OSD
- Supports IR and white light, with the white light used for warning and the IR providing supplementary illumination up to 10 m (32.8 ft)
- Built-in mic and speaker, supports two-way audio
- MicroSD, up to 512 GB
- Supports PoE power supply
- 2-axis

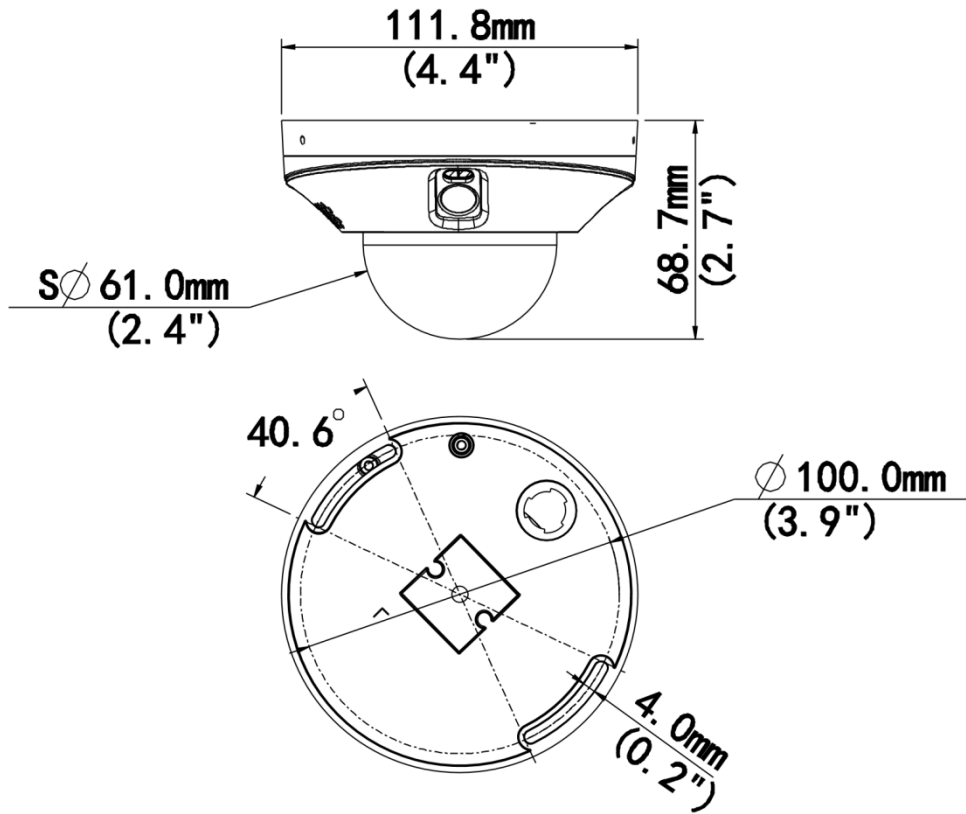
## Specifications

Model	IPC312LP-ADF20KC-DL
<b>Camera</b>	
Max Resolution	2 MP
Sensor	1/2.8" CMOS
Min. Illumination	Color: 0.003 Lux (F1.6, AGC ON), 0 Lux with IR
Day/Night	IR-cut filter with auto switch (ICR)
Shutter	Auto/Manual, 1 ~ 1/100000s
Adjustment Angle	Tilt: 0° to 68°, Rotate: 3° to 360°
S/N	>52 dB
WDR	120 dB
<b>Lens</b>	
Focal Length	2.0 mm
Iris Type	Fixed
Iris	F1.6
Field of View (H)	126°
Field of View (V)	71.0°
Field of View (D)	144.6°
Lens Type	Fixed
<b>DORI</b>	
DORI Distance (Lens)	2 mm
DORI Distance (Detect)	31.0 m (101.8 ft.)
DORI Distance (Observe)	12.4 m (40.7 ft.)
DORI Distance (Recognize)	6.2 m (20.4 ft.)
DORI Distance (Identify)	3.1 m (10.2 ft.)
<b>Illuminator</b>	
Supplemental Light	IR
Illumination Distance (IR)	10 m (32.8 ft.)
Wavelength	850 nm
IR On/Off Control	Auto/Manual
<b>Video</b>	
Video Compression	Ultra 265, H.265, H.264, MJPEG
H.264 Code Profile	Baseline profile, Main profile, High profile
Frame Rate	Main Stream: 1080P (1920 × 1080), max. 30 fps; 720P (1280 × 720), max. 30 fps Sub Stream: 720P (1280 × 720), max. 30 fps; D1 (720 × 576), max. 30 fps; 640 × 360, max. 30 fps;
Video Bit Rate	128 Kbps to 6144 Kbps
U-code	Support
OSD	Up to 6 OSDs (include two extra OSDs that only be used for elevator status display)
Privacy Mask	Up to 4 areas
ROI	Support
Video Stream	Dual streams
<b>Image</b>	


White Balance	Auto, Outdoor, Fine tune, Sodium lamp, Locked, Auto2
Digital Noise Reduction	2D/3D DNR
Smart IR	Support
Flip	Normal, Flip vertical, Flip horizontal, 180°, 90° Clockwise, 90° Anti-clockwise
Dewarping	N/A
HLC	Support
BLC	Support
Defog	Digital defog
Image Stabilization	N/A
<b>Intelligent</b>	
Smart Intrusion Prevention	N/A
People Counting	N/A
Statistical Analysis	N/A
Elevator Entrance Detection	Support (based on target classification: motorcycle and bicycle)
<b>Events</b>	
Basic Detection	Cross line (based on human body detection), Intrusion (based on human body detection), Motion detection, Ultra motion detection, Audio detection, Tampering alarm
Event for Elevator	TOF tampering detection, Elevator status display: current floor, status: stop/down/up/speed, Temperature and humidity detection
General Function	Watermark, IP address filtering, Access policy, ARP protection, RTSP authentication, User authentication, HTTP authentication, Alarm input, Alarm output
<b>Audio</b>	
Audio Compression	G.711U, G.711A
Audio Bitrate	64 Kbps
Two-way Audio	Support
Suppression	Support
Sampling Rate	8 kHz
<b>Storage</b>	
Edge Storage	MicroSD, up to 512 GB
Network Storage	ANR, NAS (NFS)
<b>Network</b>	
Protocols	IPv4, IPv6, IGMP, ICMP, ARP, TCP, UDP, DHCP, PPPoE, RTP, RTSP, RTCP, RTMP, DNS, DDNS, NTP, FTP, UPnP, HTTP, HTTPS, SMTP, 802.1x, SNMP, QoS, SSL/TLS, SSH
Compatible Integration	API, SDK, ONVIF (Profile S, Profile G, Profile T)
User/Host	Up to 32 users. 3 user levels: administrator, common user and operator
Security	Password Protection, Strong Password, HTTPS Encryption, Export Operation Logs, Basic and Digest Authentication for RTSP, Digest Authentication for HTTP, TLS 1.2, WSSE and Digest Authentication for ONVIF
Client	EZStation, APP
Web Browser	Plug-in required live view: IE 10+, Chrome 45+, Firefox 52+, Edge 79+, Plug-in free live view: Chrome 57+, Firefox 58+, Edge 16+
<b>Interface</b>	
Audio I/O	1 Input: impedance 35 kΩ, amplitude 2 V [p-p], 1 Output: impedance 600 Ω, amplitude 2 V [p-p]

Alarm I/O	1/1
Serial Port	N/A
Built-in Mic	Support
Built-in Speaker	Support
WIFI	N/A
Network	1 × RJ45 10 M/100 M Base-TX Ethernet
Video Output	N/A
<b>Certification</b>	
EMC	CE-EMC (EN 55032, EN 61000-3-3, EN IEC 61000-3-2, EN 50130) FCC (FCC 47 CFR part15 B)
Safety	CE LVD (EN 62368-1) UL/CUL (UL 62368-1, CAN/CSA C22.2 No. 62368-1)
Environment	CE-RoHS (2011/65/EU;(EU)2015/863); WEEE (2012/19/EU);
<b>General</b>	
Power	DC 12 V±25%, PoE (IEEE 802.3af)
Power Consumption	Max. 5.5 W
Power Interface	Ø5.5 mm coaxial power plug
Dimensions	Ø100.0 mm × 68.7 mm (Ø3.9" × 2.7") (Ø × H)
Weight	0.25 kg (0.55 lb.)
Material	Plastic
Working Environment	-10 °C to 40 °C (14 °F to 104 °F), Humidity: ≤ 95% RH (non-condensing)
Storage Environment	-10 °C to 40 °C (14 °F to 104 °F), Humidity: ≤ 95% RH (non-condensing)
Surge Protection	4 KV
Reset Button	Support
Web Client Language	4 Languages: English, Russian, Spanish, Vietnamese

## Dimensions



## Accessories

<p><b>TR-JB03-G-IN</b></p> <p>Junction Box for Mini Fix-dome(Support wiring from behind)</p>	<p><b>TR-JB07/WM03-G-IN-V2</b></p> <p>Wall Mounting Assembling Bracket For 32 Fix-dome&amp;Mini Fix-dome&amp;Plastic Turret Camera</p>	<p><b>TR-WM03-D-IN-V2</b></p> <p>Wall Mounting Bracket for 32 Fix-dome&amp;Mini Fix-dome&amp;Plastic Turret Camera</p>
		
<p><b>TR-UP06-C-IN-V2</b></p> <p>Pole Mounting Bracket for Bullet Junction Box Only</p>	<p><b>TR-UC08-C-V2</b></p> <p>Bullet&amp;Dome Corner Mounting Bracket</p>	<p><b>TR-UM06-E-IN</b></p> <p>Slant Mounting Bracket for Fixed Dome</p>
		


<b>TR-A01-IN</b>	<b>TR-SE24-IN</b>	<b>TR-SE24-A-IN</b>
NPT 3/4" Waterproof Cable Gland	Dome Pendent Mounting Pole 200mm	Dome Pendent Mounting Pole 500mm
		
<b>TR-CM24-IN</b>		
Dome Pendent Mounting Bracket(Indoor)		
		

# Unlimited New View

## Zhejiang Uniview Technologies Co., Ltd.

 <http://www.uniview.com>

 [overseasbusiness@uniview.com](mailto:overseasbusiness@uniview.com); [globalsupport@uniview.com](mailto:globalsupport@uniview.com)

 No. 369, Xietong Road, Xixing Sub-district, Binjiang District, Hangzhou City, 310051, Zhejiang Province, China



©2023-2025 Zhejiang Uniview Technologies Co., Ltd. All rights reserved.

\*Product specifications and availability are subject to change without notice.

Despite our best efforts, technical or typographical errors may exist in this document. Uniview cannot be held responsible for any such errors and reserves the right to change the contents of this document without prior notice.