



LED Fill Light

Product manual



To customers

Dear customers:

We sincerely thank you for purchasing our products. In order to ensure the best working condition of this product, please read the Product Manual carefully before operation. This manual is applicable to All-in-one intelligent illuminator series products.

Safety precautions

- ◆ Please strictly abide by the local electrical safety standards;
- ◆ Please check whether the power supply is correct before equipment operation;
- ◆ Please transport, use and store the equipment within the allowable humidity and temperature range;
- ◆ It is recommended to cooperate with the lightning protector to use this equipment to improve the lightning protection effect;
- ◆ In case of abnormal operation, the power supply shall be cut off first, and then put into use after troubleshooting;
- ◆ There is high voltage inside, please do not disassemble it at your own risk, and disassemble the casing without warranty;
- ◆ After the user opens the package, please carefully check whether the equipment is consistent with the order, and confirm whether the appearance is damaged. If it is damaged, please contact us immediately.

Important clause

- ◆ The product shall be subject to the real object, and the manual is only for reference;
- ◆ Incorrect or improper operation will cause product damage. To avoid personal injury and product damage, the operator must use the product in strict accordance with the relevant instructions;
- ◆ The instructions and procedures will be updated in real time according to the product, and no further notice will be given in case of any upgrade;
- ◆ If the operation is not carried out according to the instructions in the manual, any loss caused thereby shall be borne by the user himself;
- ◆ The manual may contain technical inaccuracies, or areas inconsistent with product functions and operations, or printing errors, which shall be subject to the final interpretation of the company.

Scope of application

- ◆ It is suitable for video monitoring and picture light supplement of various cameras;
- ◆ Typical applications: video monitoring and picture lighting of electronic police, traffic checkpoints, speed measurement, parking lot entrance and exit capture, license plate recognition, face recognition and other systems;
- ◆ Public places such as parks, squares and other places that need lighting.

Warning

-
- ★ During installation, the equipment must be well grounded and grounded with the camera to avoid false triggering caused by signal interference!

I . Product Overview

LED supplementary lamp is a kind of intelligent supplementary lamp, which is developed according to the requirements of high definition and low illumination of video monitoring. The lamp is designed to be stable and reliable, Adopt unique mold design, Large heat dissipation area and high efficiency. The key components are high-quality components to ensure the service life of the products, and combined with environmental requirements, with uniform concentration of light, high instantaneous illumination, light pollution, low power consumption and so on. This series of fill light also has the flexible software configuration function, may match with on the market the mainstream camera, the ball machine perfectly, achieves the best effect, simultaneously may also carry on the flexible setting through the software to the brightness, it is the best choice for video monitor.

II. Parameter index

Parameter	Specifications
Power supply voltage	AC220V±20%、50HZ
Light source	High power infrared lamp beads
Color rendering index	>65Ra
LED wavelength	840nm/850nm/950nm
Average power	RS485Adjustment
Trigger mode	Level
Light angle	10
RS485 serial port function	Support RS485 parameter adjustment and software upgrade function
Materials	Aluminum alloy, toughened ultra-white glass
Working environment temperature	-40°C~70°C
Working humidity	10%~90%RH
Protection grade	IP66
Optimum irradiation distance	16~25m
External dimensions	159×230×61mm
Weight	5.8±0.2KG

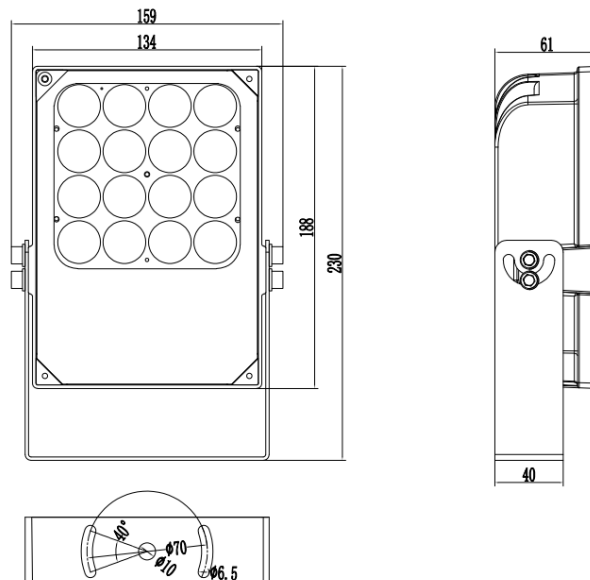
III. Product Connection Description

1. Product Diagram



Note: The picture is for reference only, subject to the actual object.

2. Product dimension drawing



Note: Dimension and appearance (unit: mm, please refer to the actual situation)

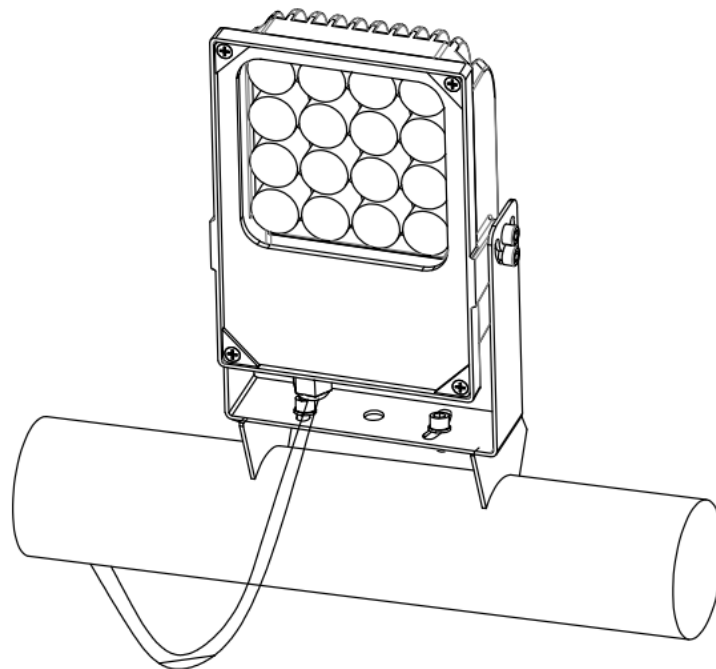
IV. Definition of product wiring ports

- Wiring instructions

Brown	AC220V L
Blue	AC220V N
Yellow Green	PE
red	485A
Brown	485B
white	Switch volume+
blue	Switch volume- / Level-
black	Level+

- Installation considerations

- ★ When installed, the fill light must be reliably grounded (the yellow-green wire in the power line is reliably connected to the ground)
- ★ When installation, fill light must be with the camera, to avoid signal interference caused by false trigger!
- ★ During installation, the cable exposed outside the patch lamp shall be protected by bellows. After installation, the bellows should be installed at the lowest outlet.
- ★ As shown in the following diagram!



Product Warranty Card

Warranty:

- 1.** When the warranty period, due to the fault caused by the product itself, please contact the company's after-sales service.
- 2.** After purchasing the machine, please mail or fax the completed warranty card in time to enjoy free maintenance and replacement, otherwise it will not be processed.
- 3.** We will use your warranty card information when warranty, please fill in carefully
- 4.** The following cases are covered by paid warranty:
 - Equipment failure caused by human error;
 - Due to the use of the environment does not meet the requirements of this product caused by failure;
 - Human-caused equipment failure, force majeure product damage;
 - No product serial number, warranty card, or product serial number and label are not clear/broken/unidentifiable;
 - The warranty has expired.

Product warranty card

Please fill in the following information carefully:

Product name: _____ date of purchase: _____

Serial number: _____ user name: _____

address: _____ contact person: _____

tel: _____ postcode: _____

dealer: _____ fax: _____

tel: _____ contact person: _____

Pack list

1. fill light

1pcs