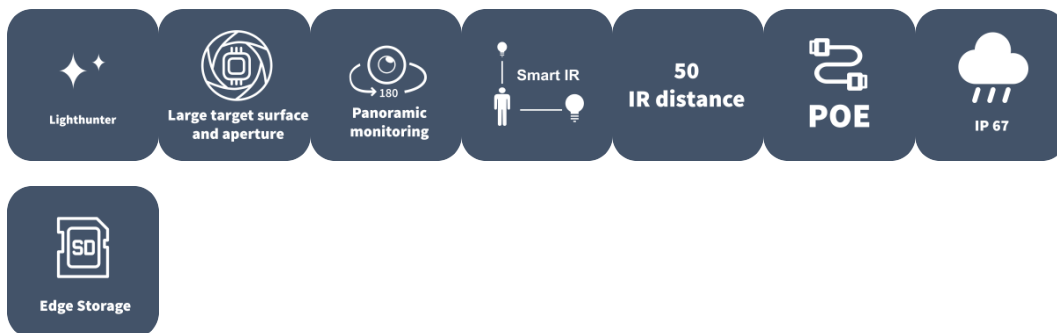


16MP LightHunter 180° OmniView Network Camera

IPC8544EA-KM-I1



Features

- High quality image with 16MP, 1/1.8" CMOS sensor 4800*2688@30fps in the main stream offers 180 panoramic view, and 16:9 ratio can better fit the screen
- Smart IR, up to 50m (164 ft) IR distance
- Built-in fan, allows dissipating heat and eliminating the mist of window
- Ultra 265, H.265, H.264, MJPEG
- 2D/3D DNR (Digital Noise Reduction)
- AC24V, DC24V or PoE (IEEE 802.3at) power supply
- Micro SD, up to 512 GB
- Alarm 2 in and 1 out, Audio 1 in and 1 out
- IP67 ingress protection

Specifications

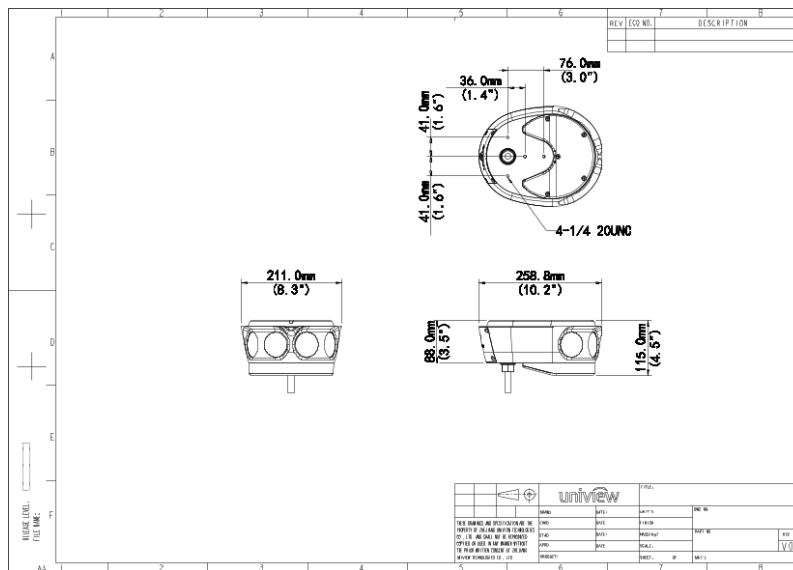
Camera	Description
Sensor	1/1.8" CMOS
Min. Illumination	Colour: 0.001lux (F1.6, AGC ON) 0lux with IR
Day/Night	IR-cut filter with auto switch (ICR)
WDR	DWDR
Shutter	Auto/Manual, 1 ~ 1/100000s
S/N	>56dB
Lens	Description
Focal Length	2.8 mm
Iris	F1.6
Field of View (H)	180°
Field of View (V)	90°
Field of View (D)	221.4°
Iris Type	Fixed
DORI	Description
DORI Distance(Lens)	2.8mm
DORI Distance(Detect)	63.0m(206.7ft)
DORI Distance(Observe)	25.2m(82.7ft)
DORI Distance(Recognize)	12.6m(41.3ft)
DORI Distance(Identify)	6.3m(20.7ft)
Illuminator	Description
Illumination Distance(IR)	50 m (164.0 ft)
IR On/Off Control	Auto/Manual
Wavelength	850 nm
Video	Description
Privacy Mask	Up to 8 areas (8 blacks/ 8 mosaics)
Video Compression	Ultra 265; H.265; H.264; MJPEG
Video Bit Rate	128 Kbps ~ 16 Mbps

U-code	Support
ROI	Up to 8 areas
Video Stream	Triple Streams
OSD	Up to 10 OSDs
Frame Rate—Main Stream	4800×2688, Max. 30 fps
Frame Rate—Sub Stream	2688×1520, Max. 30 fps
Frame Rate-Third Stream	1280×720, Max. 30 fps
Image	Description
Defog	Digital Defog
White Balance	Auto; Outdoor; Fine Tune; Sodium Lamp; Locked; Auto2
Digital Noise Reduction	2D/3D DNR
Smart IR	Support
Flip	Normal; Flip Vertical; Flip Horizontal; 180°
HLC	Support
BLC	Support
Heatwave Reduction	N/A
Events	Description
Basic Detection	Motion Detection; Tampering Alarm; Audio Detection
General Function	Watermark; IP Address Filtering; Access Policy; ARP Protection; RTSP Authentication; User Authentication; HTTP Authentication; Alarm Input; Alarm Output
Network	Description
User/Host	Up to 32 users. 3 user levels: administrator, common user and operator
Protocols	SSH; IGMP; RTP; RTCP; SMTP; IPv4; IPv6; ICMP; ARP; TCP; UDP; DHCP; PPPoE; RTSP; RTMP; DNS; DDNS; NTP; FTP; UPnP; HTTP; HTTPS; 802.1x; SNMP; QoS; SSL/TLS
Compatible Integration	ONVIF (Profile S, Profile G, Profile T); API
Security	TLS1.3; Password Protection; Strong Password; HTTPS Encryption; Export Operation Logs; Basic and Digest Authentication for RTSP; Digest Authentication for HTTP; TLS 1.2; WSSE and Digest Authentication for ONVIF
Client	UNV-Link; UNV-Link Pro; EZStation
Web Browser	Plug-in required live view: IE 10 and above, Chrome 45 and above, Firefox 52 and above, Edge 79 and above; Plug-in free live view: Chrome 57.0 and above, Firefox 58.0 and above, Edge 16 and above

Audio	Description
Audio Compression	G.711U; G.711A
Audio Bitrate	128 Kbps
Two-way Audio	Support
Suppression	Support
Sampling Rate	16KHZ
Storage	Description
Edge Storage	Micro SD, up to 512 GB
Network Storage	ANR; NAS (NFS)
Interface	Description
Audio I/O	1 Input: impedance 35k Ω ; amplitude 2V [p-p]; 1 Output: impedance 600 Ω ; amplitude 2V [p-p]
Alarm I/O	2/1
Serial Port	1 channel RS485 interface
Network	10M/100M/1000M Base-TX Ethernet
Certification	Description
EMC	CE-EMC (EN 55032: 2015+A1:2020, EN 61000-3-3: 2013+A1: 2019, EN IEC 61000-3-2: 2019+A1: 2021, EN 55035: 2017+A11:2020) FCC (FCC CFR 47 part15 B, ANSI C63.4-2014)
Safety	CE LVD (EN 62368-1:2014+A11:2017) UL (UL 62368-1, 2nd Ed., Issue Date: 2014-12-01)
Environment	CE-RoHS (2011/65/EU;(EU)2015/863); WEEE (2012/19/EU); Reach (Regulation (EC) No 1907/2006)
Protection	IP67 (IEC 60529:1989+AMD1:1999+AMD2:2013)
General	Description
Power	AC24V \pm 25%/DC24V \pm 25%, PoE(IEEE 802.3at)
Power Consumption	Max 23W
Power Interface	Wires with cold-pressed terminal
Dimensions	258.8mmx211.0mmx115.0mm(10.2" \times 8.3" \times 4.5")
Weight	2.271kg(5.01lb)
Working Environment	-40 $^{\circ}$ C ~ 70 $^{\circ}$ C (-40 $^{\circ}$ F ~ 158 $^{\circ}$ F), Humidity: \leq 95% RH (non-condensing)
Storage Environment	-40 $^{\circ}$ C ~ 70 $^{\circ}$ C (-40 $^{\circ}$ F ~ 158 $^{\circ}$ F), Humidity: \leq 95% RH (non-condensing)

Surge Protection	6KV
Reset Button	Support
Web Client Language	22 Languages Traditional Chinese, English, Simplified Chinese, Polish, German, Russian, French, Korean, Dutch, Czech, Portuguese (Europe), Portuguese (Brazil), Japanese, Thai, Turkish, Spanish (Latin America), Spanish (Europe), Hungarian, Italian, Vietnamese, Arabic, Slovak

Dimensions



Zhejiang Uniview Technologies Co., Ltd.

No. 369, Xietong Road, Xixing Sub-district, Binjiang District, Hangzhou City, 310051, Zhejiang Province, China

Email: overseasbusiness@uniview.com; globalsupport@uniview.com

<http://www.uniview.com>

©2023-2024 Zhejiang Uniview Technologies Co., Ltd. All rights reserved.

*Product specifications and availability are subject to change without notice.

*Despite our best efforts, technical or typographical errors may exist in this document. Uniview cannot be held responsible for any such errors and reserves the right to change the contents of this document without prior notice.