

4MP ANPR LightHunter Network Bullet Camera

IPS-HC264



Features

- High quality image with 4MP, 1/1.8" CMOS sensor
- 2688*1520@60fps in the main stream, which can offering more details of fast moving objects
- Ultra 265, H.265, H.264, MJPEG
- ANPR supports capturing and recognizing car license plate according to the set country or area
- Adjustable far and near lights, suitable for different capture situation
- 8~32mm focal lens, suitable for road scenarios
- Wise-ISP technology, comprehensive improvement in image quality
- Audio 2 in and 1 out, Alarm 3 in and 2 out
- Built in heater, support normal start up at low temperature
- Micro SD, up to 512 GB

- DC12V or PoE (IEEE 802.3at) power supply
- IP67,IK10

Specifications

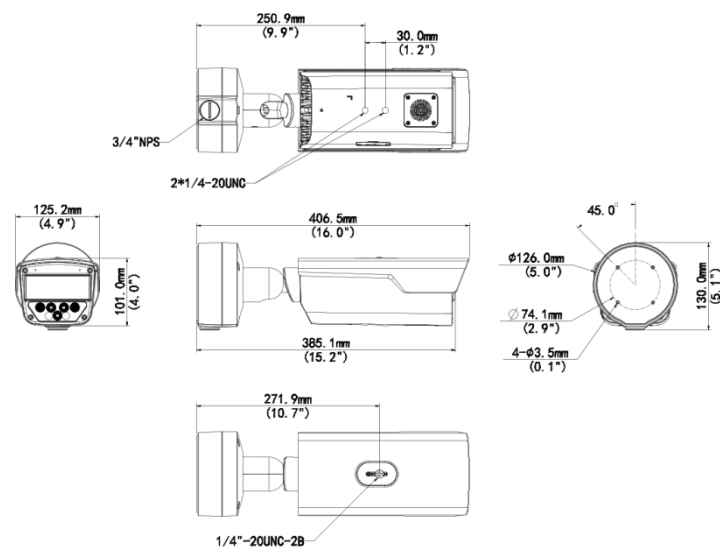
| Camera | Description |
|------------------------------------|--|
| Sensor | 1/1.8" CMOS |
| Min. Illumination | HDX4-IR-I1:Colour:0.0005 lux (F1.6, AGC ON) B/W:0.0003 lux (F1.6, AGC ON) 0 lux with IR HDX4-WH-I1:Colour:0.0005 lux (F1.6, AGC ON) 0 lux with Light |
| Day/Night | HDX4-IR-I1:IR-cut filter with auto switch (ICR) |
| Shutter | Auto/Manual, 1 ~ 1/100000s |
| WDR | 140dB |
| S/N | >56dB |
| Lens | Description |
| Focal Length | 8 ~ 32 mm |
| Digital Zoom | 16X |
| Optical Zoom | 4X |
| Iris | F1.6 |
| Iris Type | P-iris |
| Field of View (H) | 42.6°~15.2° |
| Field of View (V) | 23.5°~8.9° |
| Field of View (D) | 52.4°~17.9° |
| DORI | Description |
| DORI Distance (Detect) | 124.1m(407.3ft)~496.6m(1629.1ft) |
| DORI Distance (Observe) | 49.7m(162.9ft)~198.6m(651.6ft) |
| DORI Distance (Recognize) | 24.8m(81.5ft)~99.3m(325.8ft) |
| DORI Distance (Identify) | 12.4m(40.7ft)~49.7m(162.9ft) |
| Illuminator | Description |
| Illumination Distance (Warm Light) | HDX4-WH-I1:40 m (131.2 ft) |

| | |
|-----------------------------|--|
|) | |
| Illumination Distance (IR) | HDX4-IR-I1:40 m (131.2 ft) |
| Wavelength | HDX4-IR-I1:850 nm |
| Video | Description |
| Video Compression | Ultra 265; H.265; H.264; MJPEG |
| Frame Rate-Main Stream | 4MP(2688*1520), Max 60fps |
| Frame Rate-Sub Stream | 2MP(1920*1080), Max 60fps; |
| Frame Rate-Third Stream | D1 (720*576), Max 60fps |
| Video Bit Rate | 128 Kbps ~ 16 Mbps |
| U-code | Support |
| ROI | Up to 8 areas |
| Video Stream | Triple Streams |
| OSD | Up to 10 OSDs |
| Privacy Mask | Up to 8 areas (8 blacks / 8 mosaics) |
| Image | Description |
| White Balance | Auto,Outdoor,Fine Tune,Sodium Lamp,Locked,Auto2 |
| Digital Noise Reduction | 2D/3D DNR |
| Smart IR | HDX4-IR-I1:Support HDX4-WH-I1:N/A |
| Flip | Normal,Flip Vertical,Flip Horizontal,180°,90°Clockwise,90°Anti-clockwise |
| HLC | Support |
| Defog | Digital Defog |
| Intelligent | Description |
| ANPR | Up to 4 car lanes can be set: Support pedestrian, motor vehicle and non motor vehicle image capturing; Support recognizing car license plate more accurately by choosing different country/ region; Support attribute collection: Plate Number, Vehicle Type, Vehicle Color, Vehicle Brand; |
| Supports Multiple Countries | North America: United States, CanadaEU: France, Spain, Portugal, Germany, UK, Ireland, Bulgaria, Latvia, Romania, Slovenia, Poland, Hungary, Serbia, Czech Republic, Slovakia, Bosnia and Herzegovina, Greece, Croatia, Ukraine Asia Pacific: South Korea, Indonesia, Malaysia, SingaporeMiddle East: Iraq, Saudi Arabia, United Arab Emirates |
| Events | Description |
| Basic Detection | Motion detection,Audio detection,Tampering alarm |

| | |
|------------------------|--|
| General Function | Watermark,IP Address Filtering,Access Policy,ARP Protection,RTSP Authentication,User Authentication,HTTP authentication,Alarm input,Alarm output |
| Audio | Description |
| Audio Compression | G.711U,G.711A |
| Audio Bitrate | 128 Kbps |
| Two-way Audio | Support |
| Suppression | Support |
| Sampling Rate | 16KHZ |
| Storage | Description |
| Edge Storage | Micro SD, up to 512 GB |
| Network Storage | ANR,NAS(NFS) |
| Network | Description |
| Protocols | IGMP; RTP; SMTP; IPv4; IPv6; ICMP; ARP; TCP; UDP; DHCP; PPPoE; RTSP; RTCP; RTMP; DNS; DDNS; NTP; FTP; UPnP; HTTP; HTTPS; 802.1x; SNMP; QoS; SSL/TLS; SSH |
| Compatible Integration | ONVIF (Profile S, Profile G, Profile T, Profile M); API; SDK |
| User/Host | Up to 32 users. 3 user levels: administrator, common user and operator |
| Security | Password Protection; Strong Password; HTTPS Encryption; Export Operation Logs; Basic and Digest Authentication for RTSP; Digest Authentication for HTTP; TLS 1.2; WSSE and Digest Authentication for ONVIF; TLS1.3 |
| Client | EZStation; UNV-Link; UNV-Link Pro |
| Web Browser | Plug-in required live view: IE 10 and above, Chrome 45 and above, Firefox 52 and above, Edge 79 and above |
| Interface | Description |
| Audio I/O | 2/1 |
| Alarm I/O | 3/2 |
| Serial Port | 1 channel RS485 interface |
| Built-in Mic | Support, built-in mic*2 |
| Built-in Speaker | Support |
| Network | 1 * RJ45 10M/100M/1000M Base-TX Ethernet |
| Certification | Description |
| EMC | CE-EMC (EN 55032:2015+A11:2020+A1:2020,EN 61000-3-3:2013+A1:2019+A2:2021,EN IEC 61000-3-2: 2019+A1: 2021, EN 50130-4:2011+A1:2014) FCC (FCC CFR 47 part15 B, ANSI C63.4 2014) |

| | |
|---------------------|--|
| Safety | EN IEC 62368-1:2020+A11:2020 UL (UL 62368-1, 2nd Ed., Issue Date: 2014-12-01) |
| Environment | CE-RoHS (2011/65/EU;(EU)2015/863); WEEE (2012/19/EU); Reach (Regulation (EC) No 1907/2006) |
| Protection | IP67 (IEC 60529:1989+AMD1:1999+AMD2:2013) IK10 (IEC 62262:2002) |
| General | Description |
| Power | DC12V(±25%) , PoE+ (IEEE 802.3at) |
| Power Consumption | HDX4-IR-I1:Max 19W HDX4-WH-I1:Max 21W |
| Power Interface | Ø 5.5 mm coaxial power plug |
| Dimensions | 406 x 125 x 130mm(16.0" x 4.9" x 5.1") |
| Weight | 1.86Kg(4.10lb) |
| Working Environment | -40°C ~ 70°C (-40°F ~ 158°F), Humidity: ≤95% RH (non-condensing) |
| Surge Protection | 6KV |

Dimensions



Accessories

TR-UP06-C-IN

Pole Mounting Bracket for Bullet Junction Box Only



Zhejiang Uniview Technologies Co., Ltd.

No. 369, Xietong Road, Xixing Sub-district, Binjiang District, Hangzhou City, 310051, Zhejiang Province, China (Zhejiang) Pilot Free Trade Zone, China

Email: overseasbusiness@uniview.com; globalsupport@uniview.com

<http://www.uniview.com>

©2024 Zhejiang Uniview Technologies Co., Ltd. All rights reserved.

*Product specifications and availability are subject to change without notice.

*Despite our best efforts, technical or typographical errors may exist in this document. Uniview cannot be held responsible for any such errors and reserves the right to change the contents of this document without prior notice.