

# Network Video Recorder

## NVR301-B-IQ Series



### Features

- Support Ultra 265/H.265/H.264 video formats
- 4/8/16-channel input
- Support mainstream cameras of ONVIF conformance(Profile S, Profile G, Profile T ) and RTSP protocols
- Support HDMI and VGA simultaneous output
- Up to 12 Megapixels resolution recording
- ANR technology to enhance the storage reliability when the network is disconnected
- Support cloud upgrade

### Specifications

Model	NVR301-04B-IQ	NVR301-08B-IQ	NVR301-16B-IQ
<b>Decoding</b>			
Decoding Format	Ultra 265,H.265,H.264		
Decoding Capability	Smart Off: 2 x 12MP@30, 2 x 4K@30, 4 x 4MP@30 Smart On: 2 x 4K@30, 4 x 4MP@30	Smart Off: 2 x 12MP@30, 2 x 4K@30, 4 x 4MP@30, 8 x 1080P@30 Smart On: 2 x 4K@30, 4 x 4MP@30, 8 x 1080P@30	Smart Off: 2 x 12MP@30, 2 x 4K@30, 4 x 4MP@30, 10 x 1080P@30, 16 x 720P@30 Smart On: 2 x 4K@30, 4 x 4MP@30, 8 x 1080P@30, 16 x 720P@30

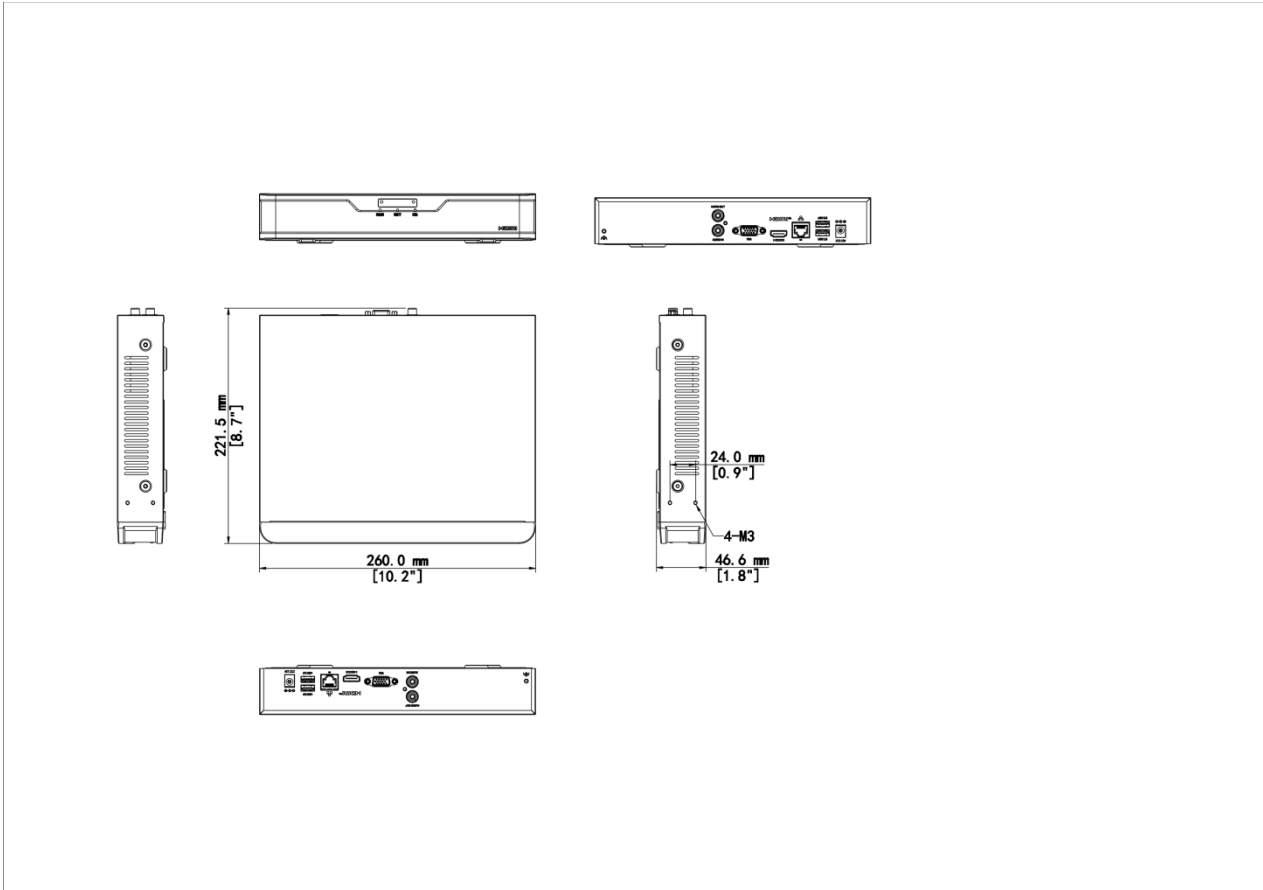
Decoding Capability Description	The resolution of each channel cannot exceed 8192 pixels in length and 4096 pixels in width		
Audio Compression	G.711A, G.711U		
<b>Network</b>			
Incoming Bandwidth	80 Mbps		
Outgoing Bandwidth	80 Mbps		
Remote Users	128		
Protocols	TCP/IP, P2P, NTP, DHCP, PPPoE, HTTP, HTTPS, DNS, DDNS, SNMP, SMTP, RTSP, IPv6, IPv4		
Browser(Plugin)	IE10, IE11, Chrome 45+, Edge 79+, Firefox 52+		
<b>Video/Audio Input</b>			
IP Video Input	4-ch	8-ch	16-ch
RCA Audio Input	1-ch		
<b>Video/Audio Output</b>			
HDMI Output	4K (3840 × 2160)/30 Hz, 1920 × 1080/60 Hz, 1920 × 1080/50 Hz, 1600 × 1200/60 Hz, 1280 × 1024/60 Hz, 1280 × 720/60 Hz, 1024 × 768/60 Hz		
VGA Output	1920 × 1080/60 Hz, 1920 × 1080/50 Hz, 1600 × 1200/60 Hz, 1280 × 1024/60 Hz, 1280 × 720/60 Hz, 1024 × 768/60 Hz		
RCA Audio Output	1-ch		
Liveview Display	1/4/6/8/9	1/4/6/8/9/16	1/4/6/8/9/16
Corridor Mode Screen	3/4	3/4/5/7/9/10	3/4/5/7/9/10/12/16
<b>Two-way Audio</b>			
Two-way Audio	1-ch,RCA(Using the audio input and output)		
<b>Snapshot</b>			
FTP/Schedule/Event Snapshot	4-ch snapshot (max. D1 (720 × 576) video resolution, with D1 snapshot resolution)		
<b>Recording</b>			
Recording Resolution	12 MP/8 MP/6 MP/5 MP/4 MP/3 MP/1080P/960P/720P/D1/2CIF/CIF		
Num of Concurrent Playback	16-ch		

Smart	
VCA Detection by IPC	Face Detection, Face Comparison, Vehicle Detection, SIP (Intrusion Detection, Cross Line Detection, Enter Area, Leave Area), Ultra Motion Detection (UMD), People Counting (People Flow Counting, Crowd Density Monitoring), Traffic Monitoring
Smart by NVR	Face Detection, Face Comparison, Smart Intrusion Prevention (SIP), Ultra Motion Detection (UMD)
VCA Search	Face Snapshot Search, Face Comparison Search, Motor Vehicle Search, Non-Motor Vehicle Search, Human Body Search, General Search, People Counting Report, Heat Map, AcuSearch
Smart by IPC	All channels (up to 8 images/s in total)Face Detection,Face Comparison,Vehicle Detection,SIP,UMD,Traffic Monitoring
Search by Image	Support
Vehicle Picture Library	Up to 5 vehicle picture libraries, with up to 25,000 vehicle pictures in total
SIP by NVR	2-ch
UMD by NVR	4-ch
Alarm	
General Alarm	Defocus Detection, Scene Change Detection, Object Left Behind, Object Removed, Auto Tracking, Motion Detection, Tampering, Human Body Detection, Video Loss, Alarm Input, Audio Detection
Alert Alarm	IP Conflict, Network Disconnected, Disk Offline, Disk Abnormal, Illegal Access, Hard Disk Space Low, Hard Disk Full, Recording/Snapshot Abnormal
GUI Language	
GUI Language	38 languages: Simplified Chinese, Traditional Chinese, English, Vietnamese, Thai, Turkish, Spanish (Latin America), Portuguese (Brazil), Spanish, Portuguese, French, German, Italian, Dutch, Polish, Czech, Hungarian, Slovak, Russian, Hebrew, Arabic, Ukrainian, Estonian, Bulgarian, Greek, Romanian, Danish, Swedish, Norwegian, Finnish, Croatian, Slovenia, Serbia, Korean, Japanese, Latvian, Lithuanian, Persian
Hard Disk	
SATA	1 SATA Interfaces
Capacity	Up to 10 TB for each HDD (The maximum HDD capacity varies with environment temperature)
External Interface	
Network Interface	1 RJ45 10 M/100 M self-adaptive Ethernet Interface
USB	Rear panel: 1 × USB2.0, 1 × USB3.0
RS485	N/A
RS232	N/A
Alarm In	N/A
Alarm Out	N/A

Power Supply	DC 12 V/2 A
Power Switch	N/A
<b>Working Environment</b>	
Working Temperature	-10 °C ~ + 55 °C (+14 °F ~ +131 °F)
Working Humidity	≤ 90% RH (non-condensing)
Power Consumption (without HDD)	≤ 12W
<b>Dimensions</b>	
Weight (without HDD)	≤ 2Kg (4.4lb)
Height	1U
Dimensions	260mm × 222mm × 47mm (10.2"×8.7"×1.8")
<b>Certification</b>	
Certification	CE; FCC; UL; RoHS; WEEE
FCC	Part15 Subpart B

## Dimensions

Aggregate product size diagram using NVR301-04B-IQ as an example



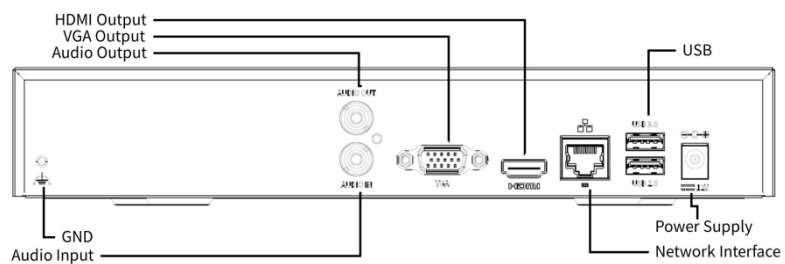
## Accessories

RM-1U-260

1 HDD 1U NVR Rack Mount



## Rear Panel



**Zhejiang Uniview Technologies Co., Ltd.**

No. 369, Xietong Road, Xixing Sub-district, Binjiang District, Hangzhou City, 310051, Zhejiang Province, China (Zhejiang) Pilot Free Trade Zone, China

Email: [overseasbusiness@uniview.com](mailto:overseasbusiness@uniview.com); [globalsupport@uniview.com](mailto:globalsupport@uniview.com)

<http://www.uniview.com>

©2024-2025 Zhejiang Uniview Technologies Co., Ltd. All rights reserved.

\*Product specifications and availability are subject to change without notice.

\*Despite our best efforts, technical or typographical errors may exist in this document. Uniview cannot be held responsible for any such errors and reserves the right to change the contents of this document without prior notice.