

# PTZ Dome In-ceiling Mount

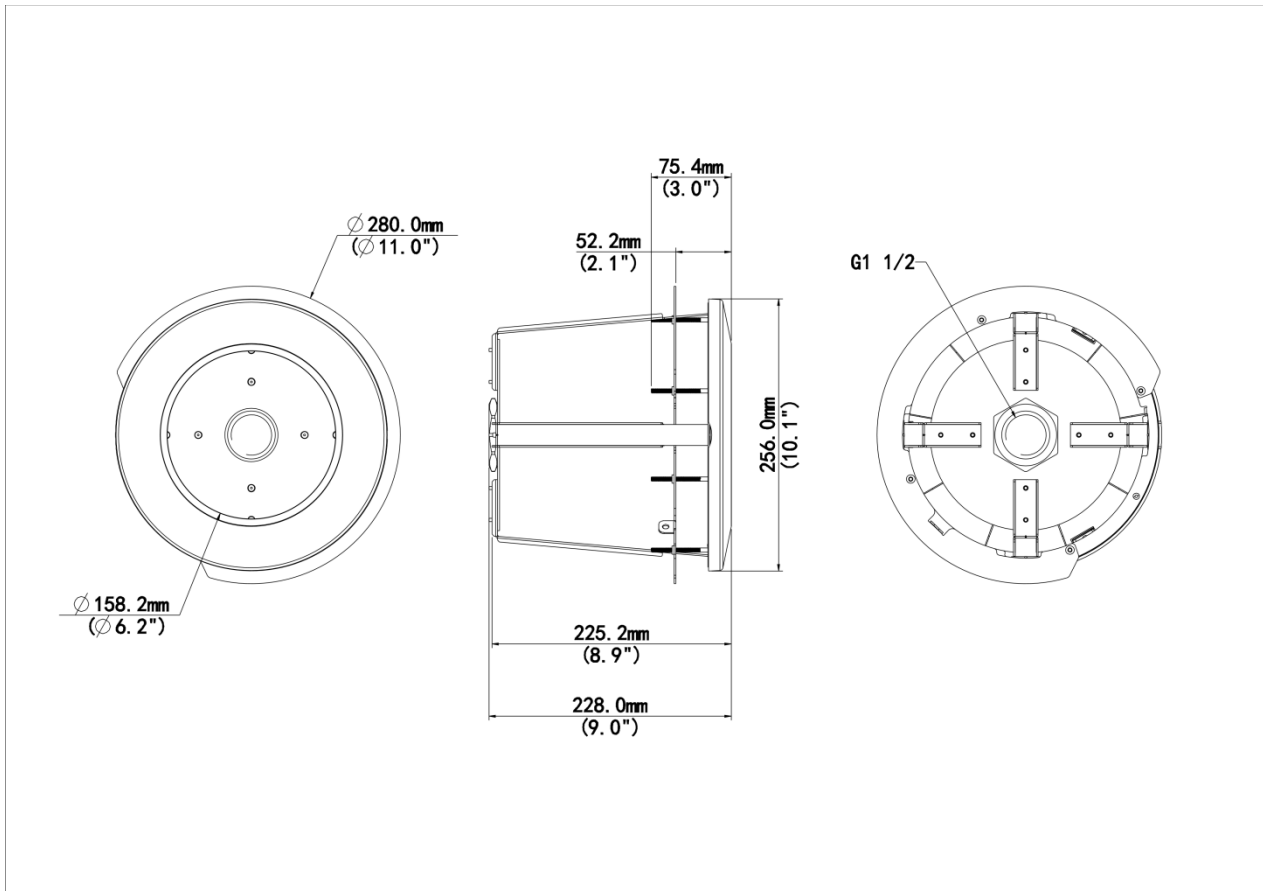
TR-FM222



## Specifications

Model	TR-FM222
Bracket	
Bracket Dimensions	<p>Φ 280 mm x 228 mm</p> <p>In-ceiling hole: Φ 237 mm</p>
Bracket Weight	1.3 kg
Bracket Material	Sheet metal and PC
Application	IPC6634S-X33-VF PTZ dome in-ceiling installation

## Dimensions



### Zhejiang Uniview Technologies Co., Ltd.

No. 369, Xietong Road, Xixing Sub-district, Binjiang District, Hangzhou City, 310051, Zhejiang Province, China (Zhejiang) Pilot Free Trade Zone, China

Email: [overseasbusiness@uniview.com](mailto:overseasbusiness@uniview.com); [globalsupport@uniview.com](mailto:globalsupport@uniview.com)

<http://www.uniview.com>

©2024 Zhejiang Uniview Technologies Co., Ltd. All rights reserved.

\*Product specifications and availability are subject to change without notice.

\*Despite our best efforts, technical or typographical errors may exist in this document. Uniview cannot be held responsible for any such errors and reserves the right to change the contents of this document without prior notice.