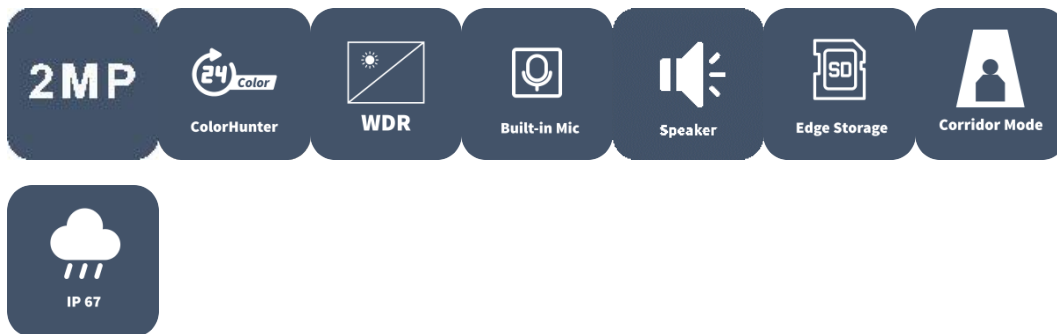


2MP HD 4G ColorHunter Fixed Bullet Network Camera

IPC2A12LP-ADF40(60)KC-4G-E



Features

- High quality image with 2MP, 1/2.8"CMOS sensor
- 2MP (1920*1080), Max 30fps; 720P (1280*720), Max 30fps;
- Support 4G access to the network
- Alarm:1 in/1 out
- Audio: 1 in/1 out
- Built-in Mic & Speaker
- Smart IR, up to 50m (164ft) IR distance
- White Light, up to 30m (98ft) white light distance
- Support 512 G Micro SD card
- IP67 protection

Specifications

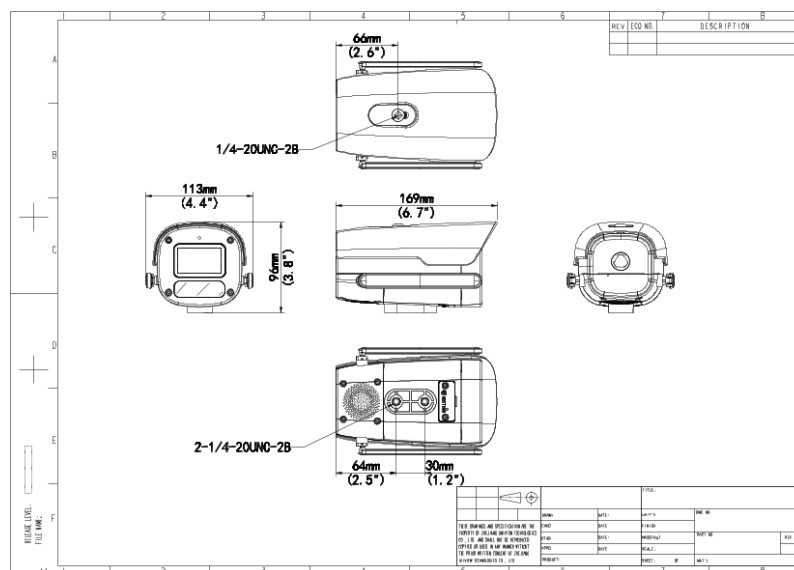
Camera	Description
Max Resolution	2MP
Sensor	1/2.8" CMOS
Min. Illumination	Colour: 0.005 lux (F1.6, AGC ON) 0 Lux with light
Day/Night	IR-cut filter with auto switch (ICR)
Shutter	Auto/Manual, 1 ~ 1/100000s
S/N	>52dB
WDR	120dB
Lens	Description
Focal Length	IPC2A12LP-ADF40KC-4G-E:4.0 mm IPC2A12LP-ADF60KC-4G-E:6.0 mm
Iris Type	Fixed
Iris	F1.6
Field of View (H)	IPC2A12LP-ADF40KC-4G-E:87.5° IPC2A12LP-ADF60KC-4G-E:54.2°
Field of View (V)	IPC2A12LP-ADF40KC-4G-E:46.3° IPC2A12LP-ADF60KC-4G-E:28.9°
Field of View (D)	IPC2A12LP-ADF40KC-4G-E:92.4° IPC2A12LP-ADF60KC-4G-E:61.5°
DORI	Description
DORI Distance (Lens)	IPC2A12LP-ADF40KC-4G-E:4.0mm IPC2A12LP-ADF60KC-4G-E:6.0mm
DORI Distance (Detect)	IPC2A12LP-ADF40KC-4G-E:62.1m(203.7t) IPC2A12LP-ADF60KC-4G-E:93.1m(305.4ft)
DORI Distance (Observe)	IPC2A12LP-ADF40KC-4G-E:24.8m(81.4ft) IPC2A12LP-ADF60KC-4G-E:37.2m(122.0ft)
DORI Distance (Recognize)	IPC2A12LP-ADF40KC-4G-E:12.4m(40.7ft) IPC2A12LP-ADF60KC-4G-E:18.6m(61.0ft)
DORI Distance (Identify)	IPC2A12LP-ADF40KC-4G-E:6.2m(20.3ft) IPC2A12LP-ADF60KC-4G-E:9.3m(30.5ft)

Illuminator	Description
Supplemental Light	Dual Light
Illumination Distance (IR)	50 m (164.0 ft)
Illumination Distance (Warm Light)	30 m (98.4 ft)
Wavelength	850 nm
IR On/Off Control	Auto/Manual
Video	Description
Video Compression	Ultra 265; H.265; H.264; MJPEG
H.264 Code Profile	Baseline profile, Main profile, High profile
Frame Rate	Main Stream: 1080P (1920*1080), Max 30fps; 720P (1280*720), Max 30fps Sub Stream: 720P (1280*720), Max 30fps; D1 (720*576), Max 30fps; 640*360,Max 30fps;
Video Bit Rate	128 Kbps ~ 2048 Kbps
U-code	Support
OSD	Up to 8 OSDs
Privacy Mask	Up to 4 areas
ROI	Support
Video Stream	Dual Streams
Image	Description
White Balance	Auto; Outdoor; Fine Tune; Sodium Lamp; Locked; Auto2
Digital Noise Reduction	2D/3D DNR
Smart IR	Support
Flip	Normal; Flip Vertical; Flip Horizontal; 180°; 90°Clockwise; 90°Anti-clockwise
Dewarping	N/A
HLC	Support
BLC	Support
Defog	Digital Defog
Events	Description
Basic Detection	Motion Detection; Ultra Motion Detection; Tampering Alarm; Audio Detection
General Function	Watermark; IP Address Filtering; Access Policy; ARP Protection; RTSP Authentication; User Authentication
Intelligent	Description

Smart Intrusion Prevention	Cross line detection, Intrusion detection, Enter area detection, Leave area detection (support false alarm filtering and the classification of human, non-motor vehicle and vehicle)
Audio	Description
Audio Compression	G.711U; G.711A
Audio Bitrate	64 Kbps
Two-way Audio	Support
Suppression	Support
Sampling Rate	8 KHz
Storage	Description
Edge Storage	Micro SD, up to 512 GB
Network Storage	ANR; NAS (NFS)
Network	Description
4G Network Frequency	LTE-TDD: Band 38/40/41 LTE-FDD: Band 1/3/5/7/8/20/28
4G Network Standard	LTE-TDD; LTE-FDD; GSM; EGSM; DCS; PCS
4G Card Type	Nano-SIM
Protocols	IPv4; IPv6; IGMP; ICMP; ARP; TCP; UDP; DHCP; PPPoE; RTP; RTSP; RTCP; RTMP; DNS; DDNS; NTP; FTP; UPnP; HTTP; HTTPS; QoS; SMTP; 802.1x; SSL/TLS; SNMP
Compatible Integration	ONVIF (Profile S, Profile G, Profile T); API; SDK
User/Host	Up to 32 users. 3 user levels: administrator, common user and operator
Security	Password Protection; Strong Password; HTTPS Encryption; Export Operation Logs; Basic and Digest Authentication for RTSP; Digest Authentication for HTTP; TLS 1.2; WSSE and Digest Authentication for ONVIF
Client	UNV-Link; UNV-Link Pro; EZStation
Web Browser	Plug-in required live view: IE 10 and above, Chrome 45 and above, Firefox 52 and above, Edge 79 and above; Plug-in free live view: Chrome 57.0 and above, Firefox 58.0 and above, Edge 16 and above
Interface	Description
Audio I/O	1 Input: impedance 35k Ω ; amplitude 2V [p-p]; 1 Output: impedance 600 Ω ; amplitude 2V [p-p]
Alarm I/O	1/1
Serial Port	N/A
Built-in Mic	Support

Built-in Speaker	Support
WIFI	N/A
Network	1 x RJ45 10M/100M Base-TX Ethernet
Video Output	N/A
Certification	Description
Protection	IP67 (IEC 60529)
General	Description
Power	DC 12V±25%
Power Interface	Ø 5.5 mm coaxial power plug
Dimensions	169×113×96mm (6.7" ×4.4" ×3.8") (L x W x H)
Weight	0.47kg (1.04lb)
Material	Graphene + Metal
Working Environment	-30 °C ~ 60 °C (-22 °F ~ 140 °F), Humidity: ≤95% RH (non-condensing)
Storage Environment	-30 °C ~ 60 °C (-22 °F ~ 140 °F), Humidity: ≤95% RH (non-condensing)
Surge Protection	4KV
Reset Button	Support
Web Client Language	13 Languages English, Simplified Chinese, Polish, German, Russian, French, Korean, Dutch, Czech, Portuguese, Spanish, Spanish (Europe), Italian

Dimensions



Zhejiang Uniview Technologies Co., Ltd.

No. 369, Xietong Road, Xixing Sub-district, Binjiang District, Hangzhou City, 310051, Zhejiang Province, China

Email: overseasbusiness@uniview.com; globalsupport@uniview.com

<http://www.uniview.com>

©2024 Zhejiang Uniview Technologies Co., Ltd. All rights reserved.

*Product specifications and availability are subject to change without notice.

*Despite our best efforts, technical or typographical errors may exist in this document. Uniview cannot be held responsible for any such errors and reserves the right to change the contents of this document without prior notice.