

OEA-EL12 Electric Bolt Lock

OEA-EL12



Overview

OEA-EL12 electric bolt lock is suitable for general glass doors, wooden doors, metal doors, etc. with complete accessories including mounting brackets for frameless glass doors and narrow frame doors. With a lock body made of high-strength brushed anodized aluminum alloy, a coil that can work continuously at ultra-low temperatures, and the latest patented design, the product is strong, safe, and highly durable.

Features

- Ultra-low power consumption design, more durable and environmentally friendly.
- MOV surge protection.
- High-strength aluminum alloy lock body, stainless steel bolt.
- Ultra-low temperature design, more secure and durable.
- 500,000 power-on aging tests.
- Door status feedback.

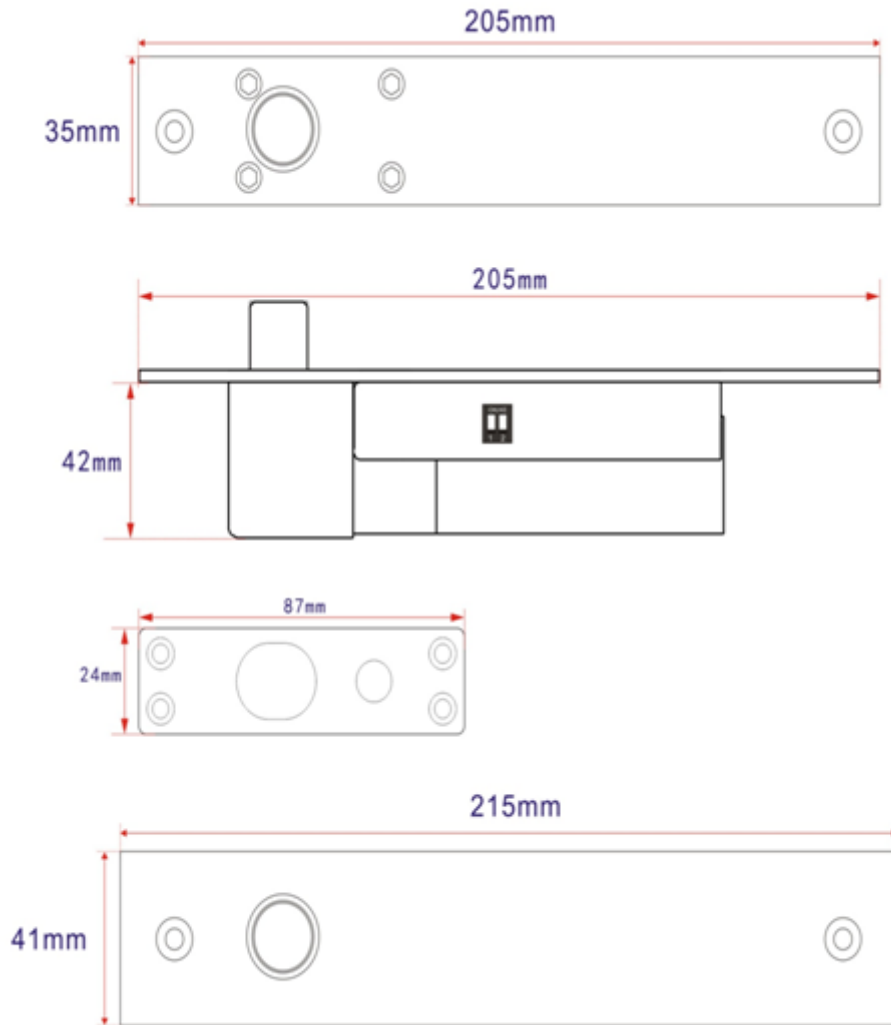
Specifications

Model	OEA-EL12
Hardware Specification	
Power Supply	DC 12 V±10%
Operating Current	800mA
Standby Current	110mA
Security Type	Failsafe
Operating Environment	Operating temperature: -30°C to +60°C, operating humidity≤95%
Weight	0.72kg
Dimensions (L x W x H)	Lock housing: 205×35×42; Lock strike : 87×24×1.5
Door Support	Wooden door, glass door, metal door, etc.
Attestation	CE/FCC/ROHS

Ordering Info

Product Model	Description
OEA-EL12	Electric Plug Lock

Dimensions



Unlimited New View

Zhejiang Uniview Technologies Co., Ltd.



<http://www.uniview.com>



overseasbusiness@uniview.com; globalsupport@uniview.com



No. 369, Xietong Road, Xixing Sub-district, Binjiang District, Hangzhou City, 310051, Zhejiang Province, China



©2023-2025 Zhejiang Uniview Technologies Co., Ltd. All rights reserved.

*Product specifications and availability are subject to change without notice.

Despite our best efforts, technical or typographical errors may exist in this document. Uniview cannot be held responsible for any such errors and reserves the right to change the contents of this document without prior notice.