

4MP HD 4G ColorHunter Fixed Bullet Network Camera

IPC2A14LP-ADF40(60)KC-4G-E



4MP



ColorHunter



WDR



Built-in Mic



Speaker



Edge Storage



Corridor Mode



IP 67

Features

- High quality image with 4MP, 1/3"CMOS sensor
- 4MP (2560*1440)@ 30/25fps; 3MP (2304*1296) @30/25fps; 2MP (1920*1080) @30/25fps
- Support 4G access to the network
- Alarm: 1 in/1 out
- Audio: 1 in/1 out
- Built-in Mic & Speaker
- Smart IR, up to 50m (164ft) IR distance
- White Light, up to 30m (98ft) white light distance
- Support 512 G Micro SD card
- IP67 protection

Specifications

Model	IPC2A14LP-ADF40KC-4G-E	IPC2A14LP-ADF60KC-4G-E
-------	------------------------	------------------------

Camera		
Max Resolution	4 MP	
Sensor	1/3.0" CMOS	
Min. Illumination	Colour: 0.003 lux (F1.6, AGC ON) 0 Lux with light	
Day/Night	IR-cut filter with auto switch (ICR)	
Shutter	Auto/Manual, 1 ~ 1/100000s	
S/N	>52 dB	
WDR	120 dB	
Lens		
Focal Length	4.0 mm	6.0 mm
Iris Type	Fixed	
Iris	F1.6	
Field of View (H)	79.0°	49.6°
Field of View (V)	42.3°	26.2°
Field of View (D)	85.1°	56.7°
DORI		
DORI Distance (Lens)	4.0mm	6.0mm
DORI Distance (Detect)	63.0m(206.7t)	90.0m(295.3ft)
DORI Distance (Observe)	25.2m(82.7ft)	36.0m(118.1ft)
DORI Distance (Recognize)	12.6m(41.3ft)	18.0m(59.1ft)
DORI Distance (Identify)	6.3m(20.7ft)	9.0m(29.5ft)
Illuminator		
Supplemental Light	Dual light	
Illumination Distance (IR)	50 m (164.0 ft)	
Illumination Distance (Warm Light)	30 m (98.4 ft)	
Wavelength	850 nm	
IR On/Off Control	Auto/Manual	
Video		
Video Compression	Ultra 265, H.265, H.264, MJPEG	
H.264 Code Profile	Baseline profile, Main profile, High profile	

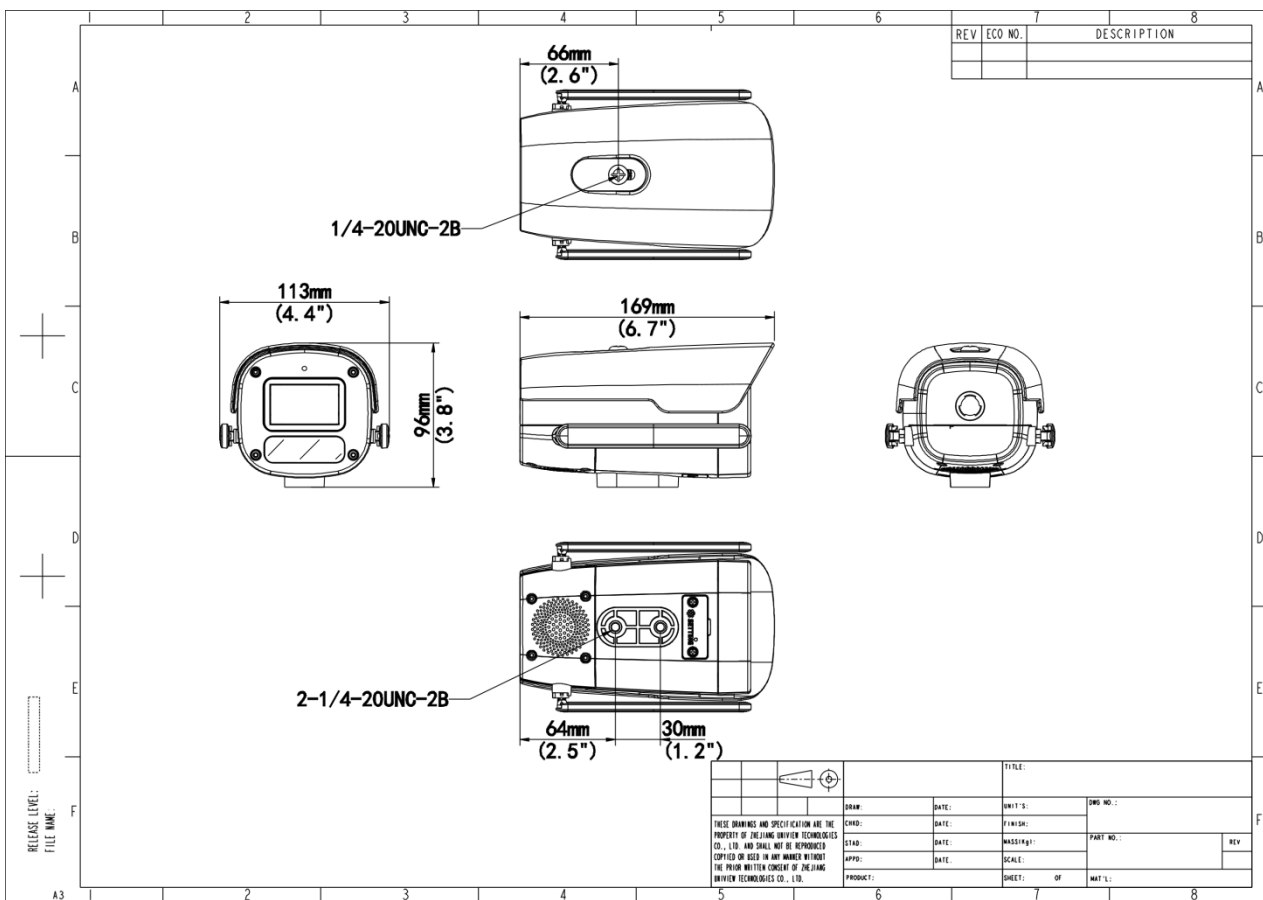
Frame Rate	Main Stream: 4MP (2560*1440), Max 30fps; 3MP (2304*1296), Max 30fps; 1080P (1920*1080), Max 30fps; 720P (1280*720), Max 30fps Sub Stream: 720P (1280*720), Max 30fps; D1 (720*576), Max 30fps; 640*360,Max 30fps;
Video Bit Rate	128 Kbps to 2048 Kbps
U-code	Support
OSD	Up to 8 OSDs
Privacy Mask	Up to 4 areas
ROI	Support
Video Stream	Dual Streams
Image	
White Balance	Auto, Outdoor, Fine Tune, Sodium Lamp, Locked, Auto2
Digital Noise Reduction	2D/3D DNR
Smart IR	Support
Flip	Normal, Flip Vertical, Flip Horizontal, 180°, 90° Clockwise, 90° Anti-clockwise
Dewarping	N/A
HLC	Support
BLC	Support
Defog	Digital Defog
Events	
Basic Detection	Motion Detection, Ultra Motion Detection, Tampering Alarm, Audio Detection
General Function	Watermark, IP Address Filtering, Access Policy, ARP Protection, RTSP Authentication, User Authentication
Intelligent	
Smart Intrusion Prevention	Cross line detection, intrusion detection, enter area detection, leave area detection (support false alarm filtering and the classification of human, non-motor vehicle and vehicle)
Audio	
Audio Compression	G.711U, G.711A
Audio Bitrate	64 Kbps
Two-way Audio	Support
Suppression	Support
Sampling Rate	8 kHz
Storage	

Edge Storage	Micro SD, up to 512 GB
Network Storage	ANR, NAS (NFS)
Network	
4G Network Frequency	LTE-TDD: Band 38/40/41 LTE-FDD: Band 1/3/5/7/8/20/28 WCDMA: Band 1/5/8
4G Network Standard	LTE-TDD, LTE-FDD, GSM, EGSM, DCS, PCS
4G Card Type	Nano-SIM
Protocols	IPv4, IPv6, IGMP, ICMP, ARP, TCP, UDP, DHCP, PPPoE, RTP, RTSP, RTCP, RTMP, DNS, DDNS, NTP, FTP, UPnP, HTTP, HTTPS, QoS, SMTP, 802.1x, SSL/TLS, SNMP
Compatible Integration	ONVIF (Profile S, Profile G, Profile T), API, SDK
User/Host	Up to 32 users. 3 user levels: administrator, common user and operator
Security	Password Protection, Strong Password, HTTPS Encryption, Export Operation Logs, Basic and Digest Authentication for RTSP, Digest Authentication for HTTP, TLS 1.2, WSSE and Digest Authentication for ONVIF
Client	UNV-Link, UNV-Link Pro, EZStation
Web Browser	Plug-in required live view: IE 10+, Chrome 45+, Firefox 52+, Edge 79+, Plug-in free live view: Chrome 57+, Firefox 58+, Edge 16+
Interface	
Audio I/O	1 Input: impedance 35 k Ω , amplitude 2 V [p-p], 1 Output: impedance 600 Ω , amplitude 2 V [p-p]
Alarm I/O	1/1
Serial Port	N/A
Built-in Mic	Support
Built-in Speaker	Support
WIFI	N/A
Network	1 \times RJ45 10 M/100 M Base-TX Ethernet
Video Output	N/A
Certification	
Protection	IP67 (IEC 60529)
General	
Power	DC 12V \pm 25%
Power Consumption	Max 6.8W

Power Interface	Ø5.5 mm coaxial power plug
Dimensions	169×113×96mm (6.7"×4.4"×3.8") (L x W x H)
Weight	0.47kg (1.04lb)
Material	Graphene + Metal
Working Environment	-30 °C to 60 °C (-22 °F to 140 °F), Humidity: ≤ 95% RH (non-condensing)
Storage Environment	-30 °C to 60 °C (-22 °F to 140 °F), Humidity: ≤ 95% RH (non-condensing)
Surge Protection	4 KV
Reset Button	Support
Web Client Language	13 Languages: English, Simplified Chinese, Polish, German, Russian, French, Korean, Dutch, Czech, Portuguese, Spanish, Spanish (Europe), Italian

Dimensions

Aggregate product size diagram using "main model" as an example



No. 369, Xietong Road, Xixing Sub-district, Binjiang District, Hangzhou City, 310051, Zhejiang Province, China (Zhejiang) Pilot Free Trade Zone, China

Email: overseasbusiness@uniview.com; globalsupport@uniview.com

<http://www.uniview.com>

©2024-2025 Zhejiang Uniview Technologies Co., Ltd. All rights reserved.

*Product specifications and availability are subject to change without notice.

*Despite our best efforts, technical or typographical errors may exist in this document. Uniview cannot be held responsible for any such errors and reserves the right to change the contents of this document without prior notice.