

Lithium Battery SLR-R-H-IN



Features

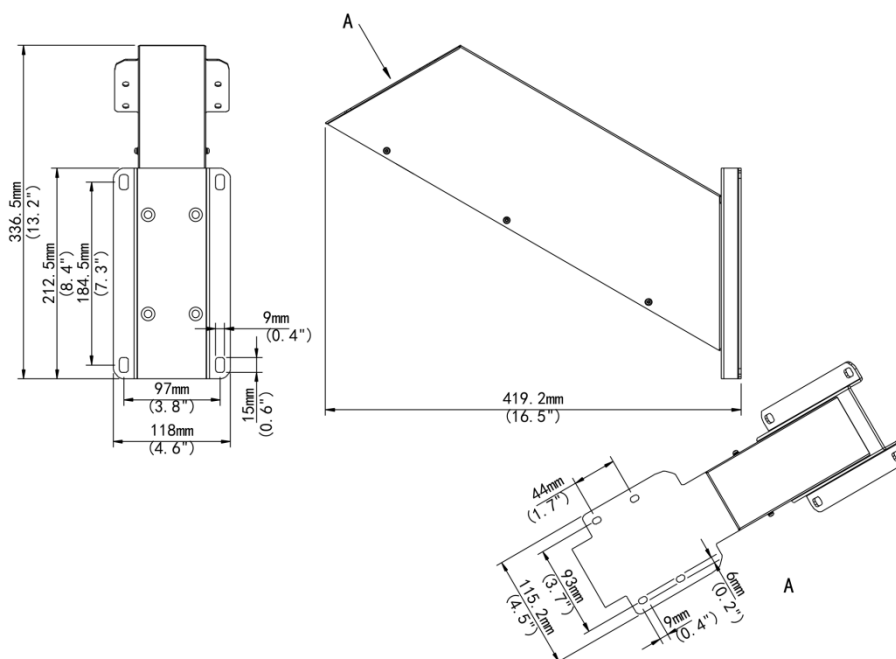
- Modular design for easy battery assembly, hanging design for easy solar panel installation.
- Built-in high-safety, high-reliability, and long-life lithium battery cell is suitable for a wide range of application scenarios.
- Built-in self-developed high-efficiency solar controller realizes faster charging.
- Visual status indicator allows for easy understanding of the product's operating status.
- Multiple protection functions such as high and low battery temperature protection, overcharge protection, undervoltage protection, etc.
- Metal casing, windproof and rainproof, capable of withstanding harsh outdoor environments.
- Built-in heating module can be turned on in a low temperature environment, effectively protecting the battery life and ensuring the safety of charging.

Specifications

Model	SLR-R100-H-IN	SLR-R200-H-IN
Specification		
Battery capacity	50Ah	100Ah
Rated energy	160Wh	320Wh
Limited charge voltage	7V	
Output voltage	9V to 12.6V	
Maximum output current	1A	1.5A
Input interface type	4-pin quick connector (for battery switch)	
Output interface type	DC12V circular connector	
RS485	Support	
Operating temperature	-20 °C to 55 °C (discharge)-20 °C to 45 °C (charge)	

Dimensions	419.2*118*336.5mm	
Weight	3.9kg	4.6kg
Protection function	High/low temperature protection, overcharge protection, undervoltage protection	
Certification	FCC	
General		
Suitable pole diameter	67mm to 110 mm	

Dimensions




Unlimited New View

Zhejiang Uniview Technologies Co., Ltd.

 <http://www.uniview.com>

 overseasbusiness@uniview.com; globalsupport@uniview.com

 No. 369, Xietong Road, Xixing Sub-district, Binjiang District, Hangzhou City, 310051, Zhejiang Province, China



©2023-2025 Zhejiang Uniview Technologies Co., Ltd. All rights reserved.

*Product specifications and availability are subject to change without notice.

Despite our best efforts, technical or typographical errors may exist in this document. Uniview cannot be held responsible for any such errors and reserves the right to change the contents of this document without prior notice.