

# 8MP Lighthunter WDR IR Network Dome Camera

IPC3738SE-ADZK-I0



## Features

- High quality image with 8 MP, 1/1.8" CMOS sensor
- 3840 × 2160@30 fps in the main stream
- Ultra 265, H.265, H.264, MJPEG
- Smart intrusion prevention, supports false alarm filtering, including cross line, intrusion, enter area, leave area detection
- People counting, supports people flow counting and crowd density monitoring, suitable for different statistical scenarios
- LightHunter technology ensures ultra-high image quality in low illumination environment
- Up to 120 dB optical WDR (Wide Dynamic Range)
- Built-in heater, supports normal start-up at low temperature
- DC 12 V or PoE (IEEE 802.3af) power supply
- Wide voltage range of ±25% in DC
- Audio 1 in and 1 out, alarm 2 in and 1 out

## Specifications

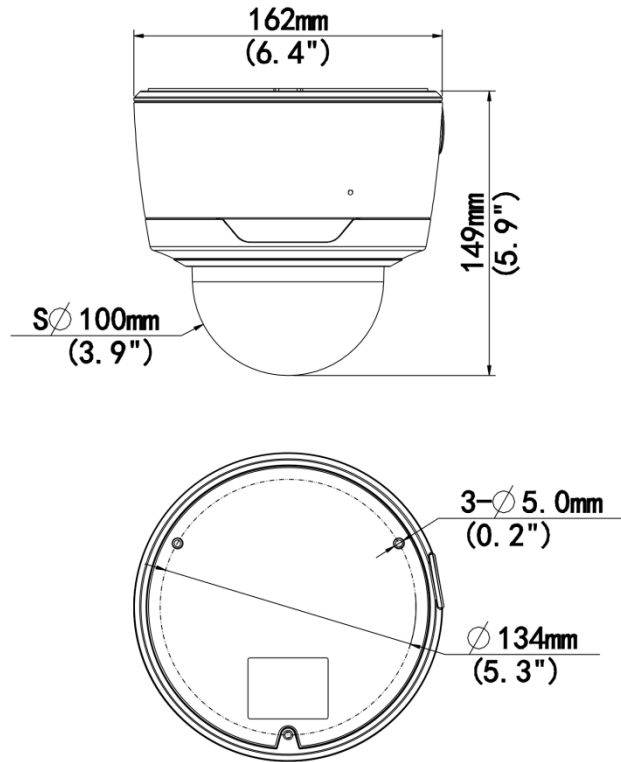
Model	IPC3738SE-ADZK-I0
Camera	
Sensor	1/1.8" CMOS
Min. Illumination	Colour:0.0008 lux (F1.2, AGC ON) 0 lux with IR

Day/Night	IR-cut filter with auto switch (ICR)
Shutter	Auto/Manual, 1 to 1/100000 s
WDR	120 dB
S/N	>56 dB
<b>Lens</b>	
Focal Length	2.8 to 12 mm
Digital Zoom	16X
Optical Zoom	5X
Iris	F1.2
Field of View (H)	101.1°~48.0°
Field of View (V)	57.2°~23.9°
Field of View (D)	124.3°~59.0°
Iris Type	Fixed
<b>DORI</b>	
DORI Distance (Lens)	2.8~12(mm)
DORI Distance (Detect)	98.6m(323.3ft)~241.0m(790.6ft)
DORI Distance (Observe)	39.4m(129.3ft)~96.4m(316.2ft)
DORI Distance (Recognize)	19.7m(64.7ft)~48.2m(158.1ft)
DORI Distance (Identify)	9.9m(32.3ft)~24.1m(79.1ft)
<b>Video</b>	
Video Compression	Ultra 265, H.265, H.264, MJPEG
Frame Rate-Main Stream	8MP (3840*2160), Max 30fps
Frame Rate-Sub Stream	720P (1280*720), Max 30fps
Video Bit Rate	128 Kbps to 16 Mbps
U-code	Support
ROI	Support
Video Stream	Triple Streams
OSD	Up to 10 OSDs
Privacy Mask	Up to 4 areas
Frame Rate-Third Stream	D1 (720*576), Max 30fps
<b>Events</b>	
Basic Detection	Motion Detection, Tampering Alarm, Audio Detection, Object Removed, Object Left Behind, Scene Change
General Function	Watermark, IP Address Filtering, Access Policy, ARP Protection, RTSP Authentication, User Authentication, HTTP Authentication, Alarm Input, Alarm Output
<b>Intelligent</b>	
Exception Detection	Object Removed, Object Left Behind, Scene Change, Defocus Detection
Smart Intrusion Prevention	Cross line detection, intrusion detection, enter area detection, leave area detection (support false alarm filtering and the classification of human, non-motor vehicle and vehicle)
People Counting	Support People Flow Counting and Crowd Density Monitoring
Traffic Monitoring	Support capturing car license picture when the car passes tripwire, Up to 4 lanes can be set, Two types of application mode available: High/Low pole
<b>Audio</b>	

Audio Compression	G.711U, G.711A
Audio Bitrate	128 Kbps
Two-way Audio	Support
Suppression	Support
Sampling Rate	16KHZ
<b>Storage</b>	
Edge Storage	Micro SD, up to 512 GB
Network Storage	ANR, NAS (NFS)
<b>Image</b>	
White Balance	Auto, Outdoor, Fine Tune, Sodium Lamp, Locked, Auto2
Digital Noise Reduction	2D/3D DNR
Flip	Normal, Flip Vertical, Flip Horizontal, 180°
HLC	Support
BLC	Support
Smart IR	Support
Defog	Digital Defog
Heatwave Reduction	N/A
<b>Network</b>	
Protocols	SSH, IGMP, RTP, RTCP, SMTP, IPv4, IPv6, ICMP, ARP, TCP, UDP, DHCP, PPPoE, RTSP, RTMP, DNS, DDNS, NTP, FTP, UPnP, HTTP, HTTPS, 802.1x, SNMP, QoS, SSL/TLS
Compatible Integration	ONVIF (Profile S, Profile G, Profile T, Profile M), API, SDK
User/Host	Up to 32 users. 3 user levels: administrator, common user and operator
Security	TLS 1.3, Password Protection, Strong Password, HTTPS Encryption, Export Operation Logs, Basic and Digest Authentication for RTSP, Digest Authentication for HTTP, TLS 1.2, WSSE and Digest Authentication for ONVIF
Client	EZStation, UNV-Link, UNV-Link Pro
Web Browser	Plug-in required live view: IE 10+, Chrome 45+, Firefox 52+, Edge 79+, Plug-in free live view: Chrome 57+, Firefox 58+, Edge 16+
<b>Interface</b>	
Audio I/O	1 Input: impedance 1 k $\Omega$ , amplitude 2.5 V [p-p], 1 Output: impedance 600 $\Omega$ , amplitude 2.5 V [p-p]
Alarm I/O	2/1
Built-in Mic	Support
Network	1 $\times$ RJ45 10 M/100 M Base-TX Ethernet
Video Output	1 BNC (For debugging)
<b>Illuminator</b>	
Illumination Distance (IR)	40 m (131.2 ft)
IR On/Off Control	Auto/Manual
Wavelength	850 nm
<b>Certification</b>	
EMC	CE-EMC (EN 55032: 2015+A1:2020, EN 61000-3-3: 2013+A1: 2019, EN IEC 61000-3-2: 2019+A1: 2021, EN 55035: 2017+A11:2020) FCC (FCC CFR 47 part15 B, ANSI C63.4-2014)

Safety	CE LVD (EN 62368-1:2014+A11:2017) UL (UL 62368-1, 2nd Ed., Issue Date: 2014-12-01)
Environment	CE-RoHS (2011/65/EU;(EU)2015/863); WEEE (2012/19/EU); Reach (Regulation (EC) No 1907/2006)
Protection	IP67 (IEC 60529:1989+AMD1:1999+AMD2:2013) IK10 (IEC 62262:2002)
<b>General</b>	
Power	DC12V(±25%), PoE(IEEE 802.3af)
Power Consumption	Max 10W
Power Interface	Ø5.5 mm coaxial power plug
Dimensions	Ø 162 x 149 mm (Ø 6.4" x 5.9") (Ø x H)
Weight	1.5Kg(3.31lb)
Working Environment	-40 °C to 60 °C (-40 °F to 140 °F), Humidity: ≤ 95% RH (non-condensing)
Storage Environment	-40 °C to 70 °C (-40 °F to 158 °F), Humidity: ≤ 95% RH (non-condensing)
Reset Button	Support
Web Client Language	22 Languages: Traditional Chinese, English, Simplified Chinese, Polish, German, Russian, French, Korean, Dutch, Czech, Portuguese (Europe), Portuguese (Brazil), Japanese, Thai, Turkish, Spanish (Latin America), Spanish (Europe), Hungarian, Italian, Vietnamese, Arabic, Slovak
Heater	Support

## Dimensions



## Accessories

TR-WM04-IN

4 Inch Hemisphere Wall Mounting Bracket



TR-UP06-IN

Universal Pole Mounting Bracket



TR-SE24-IN

Dome Pendant Mounting Pole 200mm



TR-SE24-A-IN

Dome Pendant Mounting Pole 500mm



TR-CM24-IN

Dome Pendant Mounting Bracket(Indoor)



**Zhejiang Uniview Technologies Co., Ltd.**

No. 369, Xietong Road, Xixing Sub-district, Binjiang District, Hangzhou City, 310051, Zhejiang Province, China

Email: [overseasbusiness@uniview.com](mailto:overseasbusiness@uniview.com); [globalsupport@uniview.com](mailto:globalsupport@uniview.com)

<http://www.uniview.com>

©2023-2025 Zhejiang Uniview Technologies Co., Ltd. All rights reserved.

\*Product specifications and availability are subject to change without notice.

\*Despite our best efforts, technical or typographical errors may exist in this document. Uniview cannot be held responsible for any such errors and reserves the right to change the contents of this document without prior notice.