

2MP HD Intelligent LightHunter IR Fixed Dome Network Camera

IPC322SS-ADF28(40)K-I1



Features

- High quality imaging with 2MP, 1/2.8"CMOS sensor
- 2MP (1920*1080)@60/50/30/25(default)fps; 720P (1280*720)@30/25fps
- Ultra 265, H.265, H.264, MJPEG
- Smart intrusion prevention, include cross line, intrusion, enter area, leave area detection
- Based on target classification, smart intrusion prevention significantly reduce false alarm caused by leaves, birds and lights etc., accurately focus on human and, motor vehicle and non-motor vehicle
- Smart intrusion prevention with Color retrieval
- Auto Scene Match (ASM) (Only WDR)
- LightHunter technology ensures ultra-high image quality in low illumination environment
- 130dB true WDR technology enables clear image in strong light scene
- Support 9:16 Corridor Mode

- Alarm:1 in/1 out, Audio: 1 in/1 out, Built-in Mic
- Smart IR, up to 40m (131ft) IR distance
- Supports 512 G Micro SD card
- IK10 vandal resistant
- IP67 protection

Specifications

Camera	Description
Max Resolution	2 MP
Sensor	1/2.8" CMOS
Min. Illumination	Colour:0.001 lux (F1.6, AGC ON) 0 lux with IR
Day/Night	IR-cut filter with auto switch (ICR)
Shutter	Auto/Manual, 1 ~ 1/100000s
Adjustment Angle	Pan: 0° ~ 352°, Tilt: 0° ~ 70°, Rotate: 0° ~ 350°
S/N	>52dB
WDR	130dB
Lens	Description
Focal Length	IPC322SS-ADF28K-I1:2.8 mm IPC322SS-ADF40K-I1:4.0 mm
Iris Type	Fixed
Iris	F1.6
Field of View (H)	IPC322SS-ADF28K-I1:100.15° IPC322SS-ADF40K-I1:87.5°
Field of View (V)	IPC322SS-ADF28K-I1:54.5° IPC322SS-ADF40K-I1:46.3°
Field of View (D)	IPC322SS-ADF28K-I1:104.92° IPC322SS-ADF40K-I1:92.4°
DORI	Description
DORI Distance (Lens)	IPC322SS-ADF28K-I1:2.8mm IPC322SS-ADF40K-I1:4.0mm
DORI Distance (Detect)	IPC322SS-ADF28K-I1:43.4m(142.3ft)

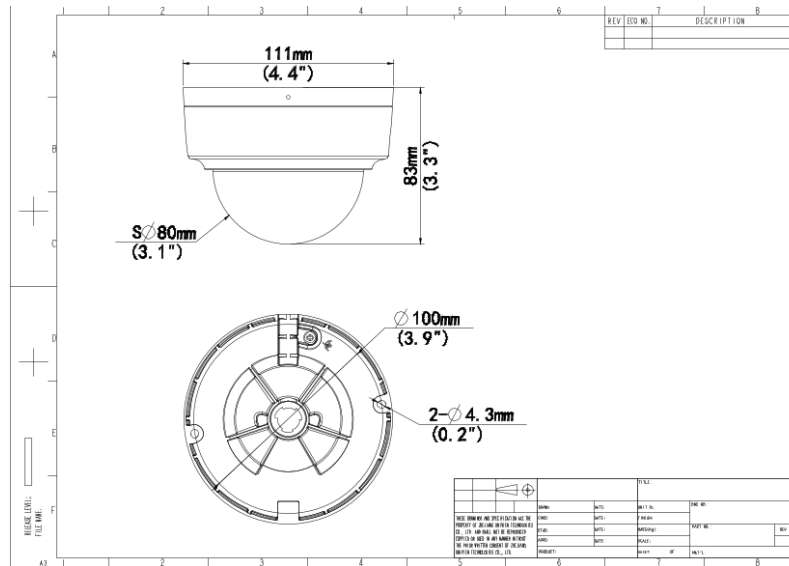
	IPC322SS-ADF40K-I1:62.1m(203.7ft)
DORI Distance (Observe)	IPC322SS-ADF28K-I1:17.4m(57.1ft) IPC322SS-ADF40K-I1:24.8m(81.4ft)
DORI Distance (Recognize)	IPC322SS-ADF28K-I1:8.7m(28.5ft) IPC322SS-ADF40K-I1:12.4m(40.7ft)
DORI Distance (Identify)	IPC322SS-ADF28K-I1:4.3m(14.1ft) IPC322SS-ADF40K-I1:6.2m(20.3ft)
Illuminator	Description
Supplemental Light	IR
Illumination Distance (IR)	40 m (131.2 ft)
IR On/Off Control	Auto/Manual
Wavelength	850 nm
Video	Description
Video Compression	Ultra 265, H.265, H.264, MJPEG
H.264 Code Profile	Baseline profile, Main profile, High profile
Frame Rate	Main Stream: 2MP (1920*1080), Max 60fps; 720P (1280*720), Max 30fps; Sub Stream: 720P (1280*720), Max 30fps; D1 (720*576), Max 30fps; 640*360, Max 30fps; 2CIF(704*288), Max 30fps; CIF(352*288), Max 30fps Third Stream: D1 (720*576), Max 30fps; 640*360,Max 30fps; 2CIF(704*288), Max 30fps;CIF(352*288), Max 30fps
Video Bit Rate	128 Kbps ~ 16 Mbps
U-code	Support
OSD	Up to 8 OSDs
Privacy Mask	Up to 4 areas
ROI	Support
Video Stream	Triple Streams
Image	Description
Auto Scene Match (ASM)	Support (Only WDR)
White Balance	Auto, Outdoor, Fine Tune, Sodium Lamp, Locked, Auto2
Digital Noise Reduction	2D/3D DNR
Smart IR	Support
Flip	Normal, Flip Vertical, Flip Horizontal, 180°, 90° Clockwise, 90° Anti-clockwise
Dewarping	N/A

HLC	Support
BLC	Support
Defog	Digital Defog
Intelligent	Description
Smart Intrusion Prevention	Cross line detection, Intrusion detection, Enter area detection, Leave area detection (support false alarm filtering and the classification of human, non-motor vehicle and vehicle)
Statistical Analysis	N/A
Attribute Collection	SIP with color retrieval
Events	Description
Basic Detection	Motion Detection, Ultra Motion Detection, Tampering Alarm, Audio Detection
General Function	Watermark, IP Address Filtering, Access Policy, ARP Protection, RTSP Authentication, User Authentication, HTTP Authentication, Alarm Input, Alarm Output
Audio	Description
Audio Compression	G.711U, G.711A
Audio Bitrate	64 Kbps
Two-way Audio	Support
Suppression	Support
Sampling Rate	8 KHz
Storage	Description
Edge Storage	Micro SD, up to 512 GB
Network Storage	ANR, NAS (NFS)
Network	Description
Protocols	IPv4, IPv6, IGMP, ICMP, ARP, TCP, UDP, DHCP, PPPoE, RTP, RTSP, RTCP, RTMP, DNS, DDNS, NTP, FTP, UPnP, HTTP, HTTPS, SMTP, 802.1x, SNMP, QoS, SSL/TLS, SSH
Compatible Integration	ONVIF (Profile S, Profile G, Profile T), API, SDK
User/Host	Up to 32 users. 3 user levels: administrator, common user and operator
Security	Password Protection, Strong Password, HTTPS Encryption, Export Operation Logs, Basic and Digest Authentication for RTSP, Digest Authentication for HTTP, TLS 1.2, WSSE and Digest Authentication for ONVIF
Client	UNV-Link, UNV-Link Pro, EZStation
Web Browser	Plug-in required live view: IE 10 and above, Chrome 45 and above, Firefox 52 and above, Edge 79 and above, Plug-in free live view: Chrome 57.0 and above, Firefox 58.0 and above,

	Edge 16 and above
Interface	Description
Audio I/O	1 Input: impedance 35 k Ω , amplitude 2 V [p-p], 1 Output: impedance 600 Ω , amplitude 2 V [p-p]
Alarm I/O	1/1
Serial Port	N/A
Built-in Mic	Support
Built-in Speaker	N/A
WIFI	N/A
Network	1 x RJ45 10M/100M Base-TX Ethernet
Video Output	N/A
Certification	Description
EMC	CE-EMC (EN 55032, EN 61000-3-3, EN IEC 61000-3-2, EN 50130) FCC (FCC 47 CFR part15 B)
Safety	CE-LVD (EN 62368-1) CB (IEC 62368-1) UL/CUL (UL 62368-1, CAN/CSA C22.2 No. 62368-1)
Environment	CE-RoHS (2011/65/EU;(EU)2015/863); WEEE (2012/19/EU)
Protection	IP67 (IEC 60529) IK10 (IEC 62262)
General	Description
Power	DC 12V \pm 25%, PoE (IEEE 802.3af)
Power Consumption	Max 6.5W
Power Interface	\varnothing 5.5 mm coaxial power plug
Dimensions	\varnothing 111 x 83mm (\varnothing 4.4" x 3.3") (\varnothing x H)
Weight	0.42kg (0.93lb)
Material	Metal
Working Environment	-30 $^{\circ}$ C ~ 60 $^{\circ}$ C (-22 $^{\circ}$ F ~ 140 $^{\circ}$ F), Humidity: \leq 95% RH (non-condensing)
Storage Environment	-30 $^{\circ}$ C ~ 60 $^{\circ}$ C (-22 $^{\circ}$ F ~ 140 $^{\circ}$ F), Humidity: \leq 95% RH (non-condensing)
Surge Protection	4 KV
Reset Button	Support
Web Client Language	20 Languages Traditional Chinese, English, Simplified Chinese, Polish, German, Russian, French, Korean,

Dutch, Czech, Portuguese (Europe), Portuguese (Brazil), Japanese, Thai, Turkish, Spanish (Latin America), Spanish (Europe), Hungarian, Italian, Vietnamese

Dimensions



Accessories

TR-JB03-G-IN

Junction Box for Mini Fix-dome(Support wiring from behind)



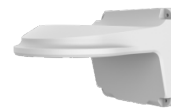
TR-JB07/WM03-G-IN

Wall Mounting Assembling Bracket For 32 Fix-dome&Mini Fix-dome&Plastic Turret Camera



TR-WM03-D-IN

Wall Mounting Bracket for 32 Fix-dome&Mini Fix-dome&Plastic Turret Camera



TR-CM24-IN

Dome Pendant Mounting Bracket(Indoor)



TR-SE24-A-IN

Dome Pendant Mounting Pole 500m



TR-SE24-IN

Dome Pendant Mounting Pole 200m



TR-UC08-C

Bullet&Dome Corner Mounting Bracket



TR-A01-IN

NPT 3/4" Waterproof Cable Gland



TR-UP06-IN

Universal Pole Mounting Bracket



TR-UM06-E-IN

Slant Mounting Bracket for Fixed Dome



Zhejiang Uniview Technologies Co., Ltd.

No. 369, Xietong Road, Xixing Sub-district, Binjiang District, Hangzhou City, 310051, Zhejiang Province, China (Zhejiang) Pilot Free Trade Zone, China

Email: overseasbusiness@uniview.com; globalsupport@uniview.com

<http://www.uniview.com>

©2024 Zhejiang Uniview Technologies Co., Ltd. All rights reserved.

*Product specifications and availability are subject to change without notice.

*Despite our best efforts, technical or typographical errors may exist in this document. Uniview cannot be held responsible for any such errors and reserves the right to change the contents of this document without prior notice.