

2MP HD IR Fixed Dome Network Camera IPC322LB-ADF28(40)K-K



Features

- High quality image with 2MP, 1/2.8" CMOS sensor
- 2MP (1920 × 1080)@30/25 fps; 720P (1280 × 720)@30/25 fps
- Ultra 265, H.265, H.264, MJPEG
- 120 dB true WDR technology enables clear image in strong light scene
- Support 9:16 Corridor Mode
- Smart IR, up to 30 m (98 ft) IR distance
- Built in Mic
- Supports up to 512 GB Micro SD Card
- IK10 vandal resistant
- IP67 protection
- Support PoE power supply
- 3-Axis

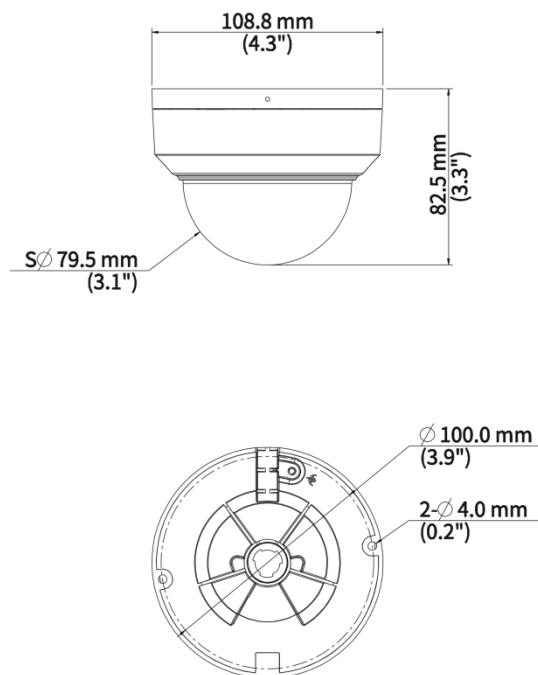
Specifications

| Model | IPC322LB-ADF28K-K | IPC322LB-ADF40K-K |
|----------------------------|--|--------------------|
| Camera | | |
| Max Resolution | 2 MP | |
| Sensor | 1/2.8" CMOS | |
| Min. Illumination | Color: 0.01 Lux (F2.0, AGC ON), 0 Lux with IR | |
| Day/Night | IR-cut filter with auto switch (ICR) | |
| Shutter | Auto/Manual, 1 ~ 1/100000s | |
| Adjustment Angle | Pan: 8° to 360°, Tilt: 0° to 68°, Rotate: 10° to 360° | |
| S/N | >52 dB | |
| WDR | 120 dB | |
| Lens | | |
| Focal Length | 2.8 mm | 4.0 mm |
| Iris | F2.0 | |
| Field of View (H) | 112.9° | 91.2° |
| Field of View (V) | 59.1° | 47.9° |
| Field of View (D) | 121.2° | 95.9° |
| Iris Type | Fixed | |
| DORI | | |
| DORI Distance (Lens) | 2.8 mm | 4 mm |
| DORI Distance (Detect) | 42.0 m (137.8 ft.) | 60.0 m (196.9 ft.) |
| DORI Distance (Observe) | 16.8 m (55.1 ft.) | 24.0 m (78.7 ft.) |
| DORI Distance (Recognize) | 8.4 m (27.6 ft.) | 12.0 m (39.3 ft.) |
| DORI Distance (Identify) | 4.2 m (13.8 ft.) | 6.0 m (19.7 ft.) |
| Illuminator | | |
| Supplemental Light | IR | |
| Illumination Distance (IR) | 30 m (98.4 ft.) | |
| Wavelength | 850 nm | |
| IR On/Off Control | Auto/Manual | |
| Video | | |
| Video Compression | Ultra 265, H.265, H.264, MJPEG | |
| H.264 Code Profile | Baseline profile, Main profile, High profile | |
| Frame Rate | Main Stream: 1080P (1920 × 1080), max. 30 fps; 720P (1280 × 720), max. 30 fps; Sub Stream: 720P (1280 × 720), max. 30 fps; D1 (720 × 576), max. 30 fps; 640 × 360, max. 30 fps; 2CIF (704 × 288), max. 30 fps; CIF (352 × 288), max. 30 fps; | |
| Video Bit Rate | 128 Kbps to 6144 Kbps | |
| OSD | Up to 4 OSDs | |
| Privacy Mask | Up to 4 areas | |
| ROI | Support | |
| U-code | Support | |
| Video Stream | Dual streams | |
| Image | | |

| | |
|-------------------------|--|
| White Balance | Auto, Outdoor, Fine tune, Sodium lamp, Locked, Auto2 |
| Digital Noise Reduction | 2D/3D DNR |
| Smart IR | Support |
| Flip | Normal, Flip vertical, Flip horizontal, 180°, 90° Clockwise, 90° Anti-clockwise |
| HLC | Support |
| Dewarping | N/A |
| BLC | Support |
| Defog | Digital defog |
| Audio | |
| Audio Compression | G.711U, G.711A |
| Audio Bitrate | 64 Kbps |
| Two-way Audio | N/A |
| Suppression | Support |
| Sampling Rate | 8 kHz |
| Events | |
| Basic Detection | Motion detection, Ultra motion detection, Tampering alarm, Audio detection, Cross line (based on human body detection), Intrusion (based on human body detection) |
| General Function | Watermark, IP address filtering, Access policy, ARP protection, RTSP authentication, User authentication |
| Storage | |
| Edge Storage | MicroSD, up to 512 GB |
| Network Storage | ANR, NAS (NFS) |
| Network | |
| Protocols | IPv4, IGMP, ICMP, ARP, TCP, UDP, DHCP, RTP, RTSP, RTCP, RTMP, DNS, DDNS, NTP, FTP, UPnP, HTTP, HTTPS, SMTP, QoS, SSL/TLS, SNMP, IPv6 |
| Compatible Integration | ONVIF (Profile S, Profile G, Profile T), API, SDK |
| Client | EZStation, APP |
| Web Browser | Plug-in required live view: IE 10+, Chrome 45+, Firefox 52+, Edge 79+, Plug-in free live view: Chrome 57+, Firefox 58+, Edge 16+ |
| Security | Password Protection, Strong Password, HTTPS Encryption, Export Operation Logs, Basic and Digest Authentication for RTSP, Digest Authentication for HTTP, TLS 1.2, WSSE and Digest Authentication for ONVIF |
| User/Host | Up to 32 users. 3 user levels: administrator, common user and operator |
| Interface | |
| Audio I/O | N/A |
| Serial Port | N/A |
| Alarm I/O | N/A |
| Built-in Mic | Support |
| Built-in Speaker | N/A |
| WIFI | N/A |
| Network | 1 × RJ45 10 M/100 M Base-TX Ethernet |
| Video Output | N/A |
| Certification | |

| | |
|---------------------|---|
| Protection | IP67 (IEC 60529) IK10 (IEC 62262) |
| EMC | CE-EMC (EN 55032, EN 61000-3-3, EN IEC 61000-3-2, EN 55035) FCC (FCC 47 CFR part15 B) |
| Safety | CE LVD (EN 62368-1) CB (IEC 62368-1) UL/CUL (UL 62368-1, CAN/CSA C22.2 No. 62368-1) |
| Environment | CE-RoHS (2011/65/EU;(EU)2015/863); WEEE (2012/19/EU); |
| General | |
| Power | DC 12 V±25%, PoE (IEEE 802.3af) |
| Power Consumption | Max. 3.5 W |
| Power Interface | Ø5.5 mm coaxial power plug |
| Dimensions | Ø109 mm × 83 mm (Ø4.3" × 3.3") (Ø × H) |
| Material | Metal + Plastic |
| Weight | 0.34 kg (0.75 lb.) |
| Storage Environment | -40 °C to 70 °C (-40 °F to 158 °F), Humidity: ≤ 95% RH (non-condensing) |
| Working Environment | -30 °C to 60 °C (-22 °F to 140 °F), Humidity: ≤ 95% RH (non-condensing) |
| Surge Protection | 4 KV |
| Web Client Language | 4 Languages: English, Russian, Spanish, Vietnamese |
| Reset Button | N/A |

Dimensions



Accessories

TR-JB03-G-IN

Junction Box for Mini Fix-dome(Support wiring from behind)



TR-A01-IN

NPT 3/4" Waterproof Cable Gland



TR-CM24-IN

Dome Pendant Mounting Bracket(Indoor)



TR-UP06-C-IN-V2

Pole Mounting Bracket for Bullet Junction Box Only



TR-WM07P-B

Dome Wall Mounting Plastic Bracket



HS-205S

Sunshade Shell for Fixed Focus Dome



TR-SE24-IN

Dome Pendant Mounting Pole 200mm



TR-UC08-C-V2

Bullet&Dome Corner Mounting Bracket



TR-WM03-D-IN-V2

Wall Mounting Bracket for 32 Fix-dome&Mini Fix-dome&Plastic Turret Camera



TR-UM06-E-IN

Slant Mounting Bracket for Fixed Dome



TR-SE24-A-IN

Dome Pendant Mounting Pole 500mm



TR-FM116

In-ceiling Bracket for Fix-dome



TR-JB07/WM03-G-IN-V2

Wall Mounting Assembling Bracket For 32 Fix-dome&Mini Fix-dome&Plastic Turret Camera




Unlimited New View

浙江宇视科技有限公司

 <http://www.uniview.com>

 overseasbusiness@uniview.com; globalsupport@uniview.com

 South Tower, Building 10, Wanlun Science Park, 88 Jiangling Road, Hangzhou, P.R.China



©2023-2025 Zhejiang Uniview Technologies Co., Ltd. All rights reserved.

*Product specifications and availability are subject to change without notice.

虽然我司试图在本资料中提供准确的信息，但不保证资料的内容不含有技术性误差或印刷性错误，为此我司对本资料中的不准确不承担任何责任。我司保留在没有通知或提示的情况下对本资料的内容进行修改的权利。