

5MP ColorHunter With Smart Dual Light Bullet Analog Camera

UAC-B145-AF28(40)LM-DL



Overview

UAC-B45-AF28(40)LM-DL is a 5MP ColorHunter with smart dual light bullet analog camera with a high-performance 1/2.7-inch CMOS sensor. It supports TVI/AHD/CVI/CVBS, which effectively enhances product adaptability and diversity of networking solutions. With SYV-75-3 or other coaxial cable types, the camera can achieve low-cost, long-distance, and anti-interference mega-pixel HD video transmission without time delay. The camera also supports audio input and synchronous transmission of audio and video. With UNV XVR, our ColorHunter cameras equipped with Smart Dual Light can intelligently switch between IR and white light when detecting a target or not, offering flexible lighting options and enhancing security.

Features

- High quality imaging with 5MP resolution
- TVI/AHD/CVI/CVBS
- Supports IR-cut filter with auto-switch (ICR)
- Smart Dual Light (only TVI)
- Supports 180° horizontal flip, 180° vertical flip
- OSD configuration menu, easy to operate

- IP67 waterproof and dustproof design, high reliability
- OSD configuration menu in 11 languages
- Built-in microphone for high quality audio transmission via coaxial cables

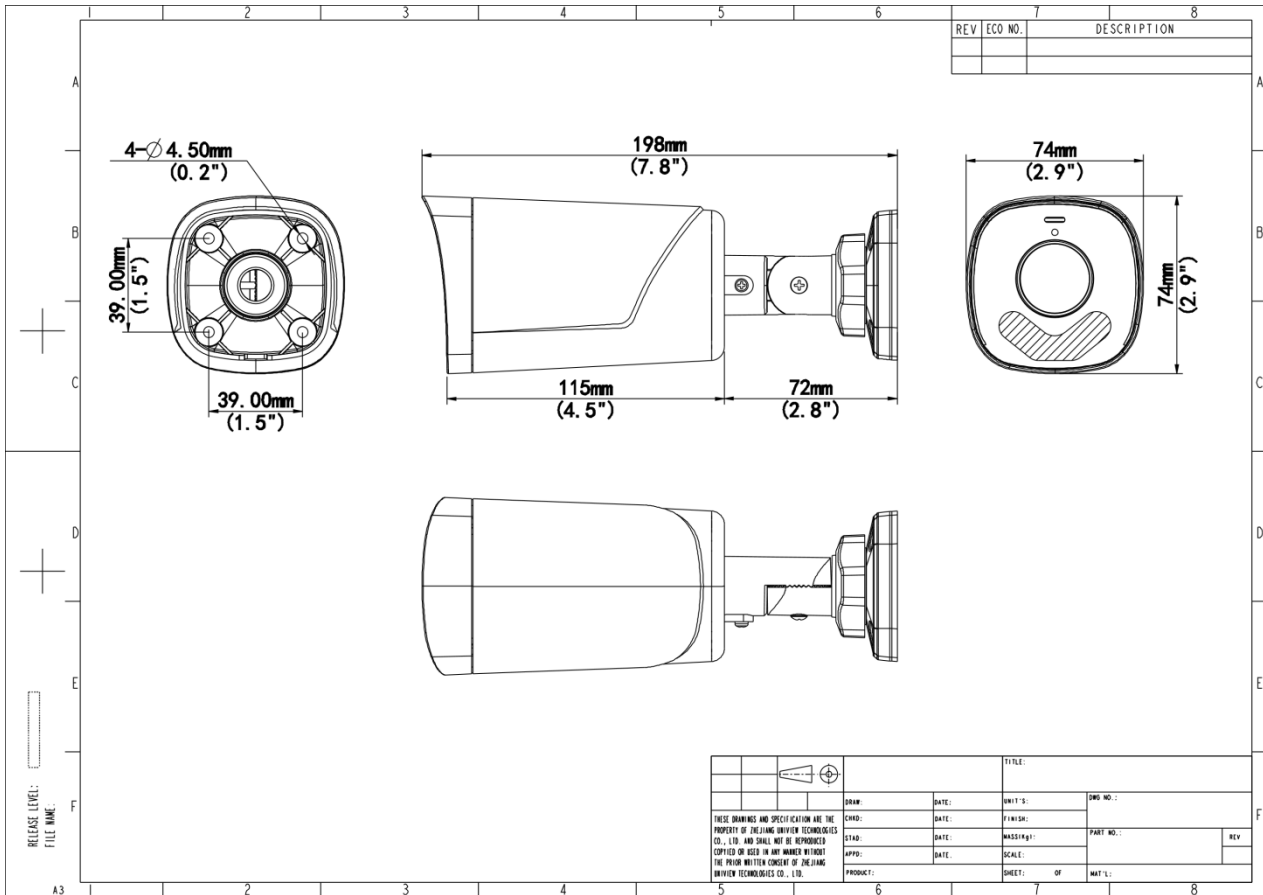
Specifications

| Model | UAC-B145-AF28LM-DL | UAC-B145-AF40LM-DL |
|-----------------------|--|--------------------|
| Sensor | | |
| Pixel | 5 MP | |
| Sensor Size | 1/2.7" CMOS | |
| Min. Illumination | 0.005 lux (F1.6, AGC ON) 0 lux (Illuminator ON) | |
| Lens | | |
| Focus | 2.8 mm | 4.0 mm |
| Lens Mount | M12 | |
| Angle of View (H) | 110.0° | 90.0° |
| Angle of View (V) | 57.0° | 48.0° |
| Angle of View (D) | 130.0° | 109.1° |
| Illuminator | | |
| Illuminator Number | Two IR illuminators; Two white-light illuminators | |
| Illumination Distance | IR: 40m (131.23 ft) White light: 40m (131.23ft) | |
| Lifetime | ≥ 60000 hours | |
| Video | | |
| Resolution | 5MP@25fps: 2880(H)×1620(V); 5MP@20fps: 2592(H)×1944(V); 5MP@12.5fps: 2592(H)×1944(V) 4MP: 2560(H)×1440(V) 1080P: 1920(H)×1080(V) | |
| Frame Rate | TVI: 5MP@20fps (default), 5MP@12.5fps, 4MP@25fps, 4MP@30fps, 1080P@25fps, 1080P@30fps AHD: 5MP@20fps, 4MP@25fps, 4MP@30fps, 1080P@25fps, 1080P@30fps CVI: 5MP@25fps, 4MP@25fps, 4MP@30fps, 1080P@25fps, 1080P@30fps CVBS: PAL, NTSC | |
| Shutter Time | PAL: 1/25s-1/50000s, NTSC: 1/30s-1/50000s | |
| Image | | |

| | | |
|------------------------------|--|--------------|
| Exposure Mode | Four modes: Global (default), BLC, HLC, DWDR | |
| Day/Night | Three modes: Auto (default), Day, Night | |
| Digital Noise Reduction | 2D | |
| White Balance | Two modes: Auto (default), Manual | |
| WDR | DWDR | |
| Light Mode | Dual light (default) , Infrared, White light | |
| Flip | Supports 180°horizontal flip, 180°vertical flip | |
| Audio | | |
| Built-in Mic | Support | |
| Camera Audio | TVI: 5MP@20fps, 5MP@12.5fps, 4MP@25fps, 4MP@30fps, 1080P@25fps, 1080P@30fps CVI: 5MP@25fps, 4MP@25fps, 4MP@30fps | |
| Interface | | |
| Power Interface | 5.5 mm Power Interface | |
| Video Output | BNC, supports TVI/AHD/CVI/CVBS | |
| Operating Environment | | |
| Temperature | -30 °C to 60 °C (-22 °F to 140 °F) | |
| Humidity | ≤ 95% RH (non-condensing) | |
| Surge Protection | 4kV for power&4kV for video output interfaces | |
| General | | |
| Power | DC 12 V ± 25% | |
| Power Consumption | MAX 3.5W | |
| Mount | Corner Mount&Pole Mount | |
| Dimensions | 198mm*74mm*74mm (L*W*H) | |
| Material | Metal + Plastic | |
| Weight | 227g (0.50lb) | 227g(0.50lb) |
| OSD Menu Language | 11 Languages: English, German, Spanish (Latin America), French, Italian, Japanese, Korean, Polish, Portuguese (Brazil), Russian, Turkish | |
| Certification | | |
| EMC | CE-EMC (EN 55032, EN 61000-3-3, EN IEC 61000-3-2, EN 55035), FCC (FCC 47 CFR part15 B) | |
| Safety | CE-LVD (EN 62368-1) | |
| Environment | CE-RoHS (2011/65/EU; (EU) 2015/863); WEEE (2012/19/EU) | |
| Protection | IP67 (IEC 60529) | |

Dimensions

Aggregate product size diagram using UAC-B145-AF28LM-DL as an example



Zhejiang Uniview Technologies Co., Ltd.

No. 369, Xietong Road, Xixing Sub-district, Binjiang District, Hangzhou City, 310051, Zhejiang Province, China (Zhejiang) Pilot Free Trade Zone, China

Email: overseasbusiness@uniview.com; globalsupport@uniview.com

<http://www.uniview.com>

©2024-2025 Zhejiang Uniview Technologies Co., Ltd. All rights reserved.

*Product specifications and availability are subject to change without notice.

*Despite our best efforts, technical or typographical errors may exist in this document. Uniview cannot be held responsible for any such errors and reserves the right to change the contents of this document without prior notice.