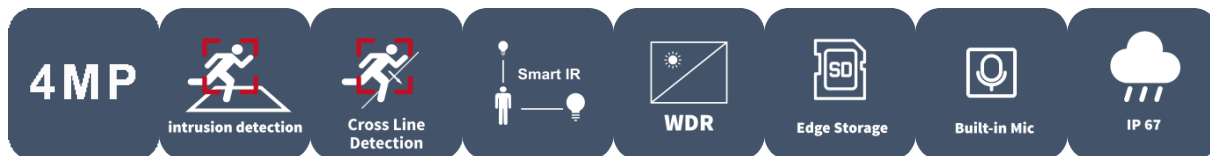


4MP HD IR VF Bullet Network Camera

IPC2324LB-ADEZK-H



Features

- High quality image with 4MP, 1/3"CMOS sensor
- 4MP (2688*1520) @25/20fps; 4MP (2560*1440) @25/20fps; 3MP (2304*1296) @30/25fps; 2MP (1920*1080) @30/25fps;
- Ultra 265, H.265, H.264, MJPEG
- 120dB true WDR technology enables clear image in strong light scene
- Support 9:16 Corridor Mode
- Built-in Mic
- Alarm:1 in/1 out, Audio: 1 in/1 out
- Smart IR, up to 50m (164ft) IR distance
- Supports 512 G Micro SD card
- IP67 protection
- Support PoE power supply
- 3-Axis

Specifications

Model	IPC2324LB-ADEZK-H
Camera	
Max Resolution	4 MP
Sensor	1/3.0" CMOS
Min. Illumination	Colour: 0.003 lux (F1.6, AGC ON) 0 lux with IR on
Day/Night	IR-cut filter with auto switch (ICR)
Shutter	Auto/Manual, 1 ~ 1/100000s
Adjustment Angle	Pan: 0° ~ 360°, Tilt: 0° ~ 90°, Rotate: 0° ~ 360°
S/N	>52 dB
WDR	120 dB
Lens	
Focal Length	2.8 to 12 mm
Iris Type	Fixed
Iris	F1.6
Field of View (H)	91.5°~34°
Field of View (V)	51.0°~18.9°
Field of View (D)	96.0°~36.9°
DORI	
DORI Distance (Lens)	2.8mm, 12mm
DORI Distance (Detect)	63m(206.7ft), 270.0m(885.8ft)
DORI Distance (Observe)	25.2m(82.7ft), 108.0m(354.3ft)
DORI Distance (Recognize)	12.6m(41.3ft), 54.0m(177.2ft)
DORI Distance (Identify)	6.3m(20.7ft), 27.0m(88.6ft)
Illuminator	
Supplemental Light	IR
Illumination Distance (IR)	50 m (164.0 ft)
Wavelength	850 nm
IR On/Off Control	Auto/Manual

Video

Video Compression	Ultra 265, H.265, H.264, MJPEG
H.264 Code Profile	Baseline profile, Main profile, High profile
Frame Rate	Main Stream: 4MP (2688*1520), Max 25fps; 4MP (2560*1440), Max 25fps; 3MP (2304*1296), Max 30fps; 1080P (1920*1080), Max 30fps; 720P(1280*720), Max 30fps; Sub Stream: 720P (1280*720), Max 30fps; D1 (720*576), Max 30fps; 640*360, Max 30fps;
Video Bit Rate	128 Kbps to 6144 Kbps
U-code	Support
OSD	Up to 4 OSDs
Privacy Mask	Up to 4 areas
ROI	Support
Video Stream	Dual Streams

Image

White Balance	Auto, Outdoor, Fine Tune, Sodium Lamp, Locked, Auto2
Digital Noise Reduction	2D/3D DNR
Smart IR	Support
Flip	Normal, Flip Vertical, Flip Horizontal, 180°, 90° Clockwise, 90° Anti-clockwise
Dewarping	N/A
HLC	Support
BLC	Support
Defog	Digital Defog

Events

Basic Detection	Motion Detection, Ultra Motion Detection, Tampering Alarm, Audio Detection, Cross line (based on human body detection), Intrusion (based on human body detection)
General Function	Watermark, IP Address Filtering, Access Policy, ARP Protection, RTSP Authentication, User Authentication, HTTP Authentication

Audio

Audio Compression	G.711U, G.711A
Audio Bitrate	64 Kbps
Two-way Audio	N/A
Suppression	Support
Sampling Rate	8 kHz

Storage

Edge Storage Micro SD, up to 512 GB

Network Storage ANR, NAS (NFS)

Network

Protocols IPv4, IGMP, ICMP, ARP, TCP, UDP, DHCP, RTP, RTSP, RTCP, RTMP, DNS, DDNS, NTP, FTP, UPnP, HTTP, HTTPS, SMTP, SSL/TLS, QoS, SNMP

Compatible Integration ONVIF (Profile S, Profile G, Profile T),
API, SDK

User/Host Up to 32 users, 2 user levels: administrator and common user

Security Password Protection, Strong Password, HTTPS Encryption, Export Operation Logs, Basic and Digest Authentication for RTSP, Digest Authentication for HTTP, TLS 1.2, WSSE and Digest Authentication for ONVIF

Client EZStation, EZView, EZLive

Web Browser Plug-in required live view: IE 10+, Chrome 45+, Firefox 52+, Edge 79+, Plug-in free live view: Chrome 57+, Firefox 58+, Edge 16+

Interface

Audio I/O 1 Input: impedance 35 kΩ, amplitude 2 V [p-p], 1 Output: impedance 600 Ω, amplitude 2 V [p-p]

Alarm I/O 1/1

Serial Port N/A

Built-in Mic Support

Built-in Speaker N/A

WIFI N/A

Network 1 × RJ45 10 M/100 M Base-TX Ethernet

Video Output N/A

Certification

EMC CE-EMC (EN 55032, EN 61000-3-3, EN IEC 61000-3-2, EN 55035)
FCC (FCC 47 CFR part15 B)

Safety CE LVD (EN 62368-1)
CB (IEC 62368-1)
UL/CUL (UL 62368-1, CAN/CSA C22.2 No. 62368-1)

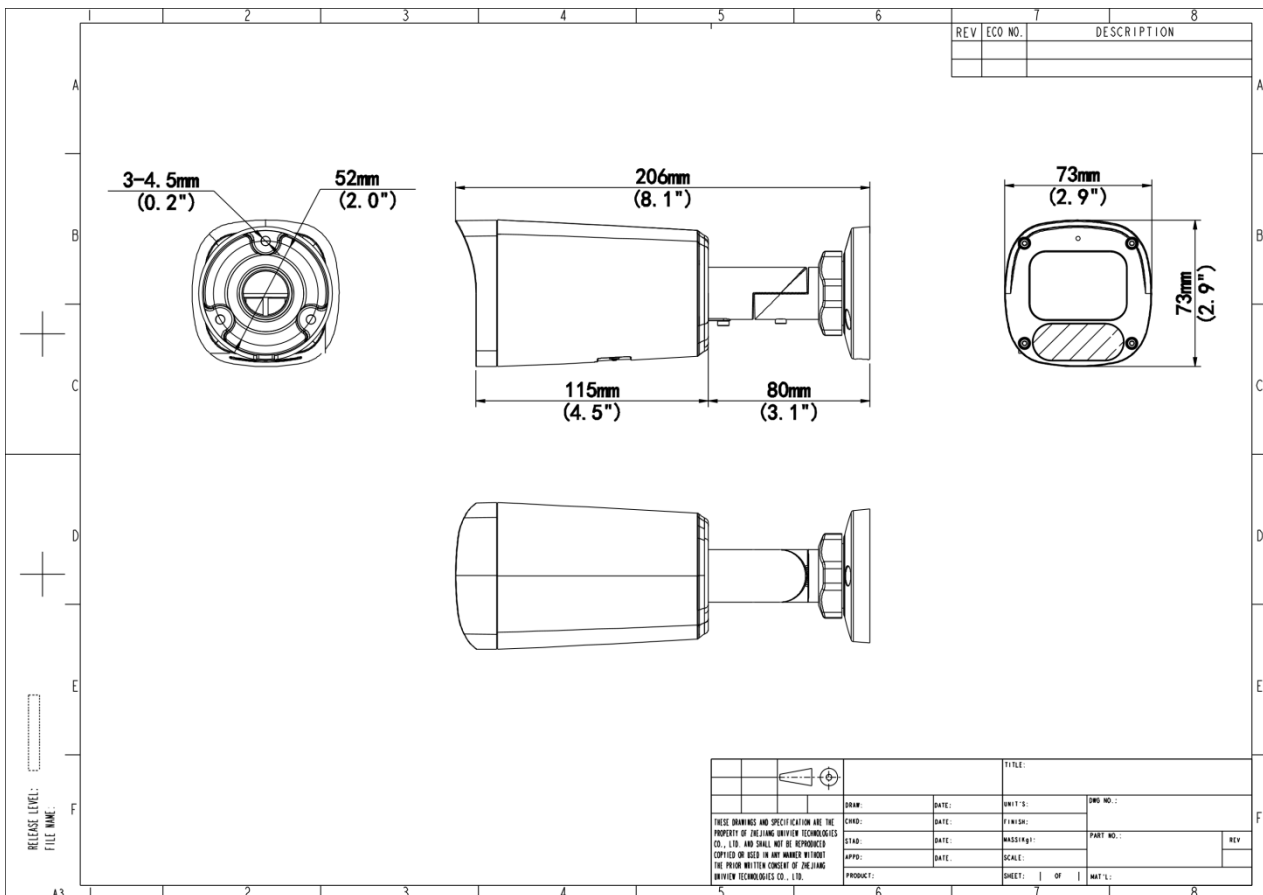
Environment CE-RoHS (2011/65/EU;(EU)2015/863); WEEE (2012/19/EU);

Protection IP67 (IEC 60529)

General

Power	DC 12V±25%, PoE (IEEE 802.3af)
Power Consumption	Max 9.6W
Power Interface	Ø5.5 mm coaxial power plug
Dimensions	206 × 73 × 73mm (8.1" × 2.9" × 2.9") (L x W x H)
Weight	0.51kg(1.12lb)
Material	Graphene + Metal
Working Environment	-30 °C to 60 °C (-22 °F to 140 °F), Humidity: ≤ 95% RH (non-condensing)
Storage Environment	-30 °C to 60 °C (-22 °F to 140 °F), Humidity: ≤ 95% RH (non-condensing)
Surge Protection	6 KV
Reset Button	Support
Web Client Language	4 Languages English, Russian, Spanish, Vietnamese

Dimensions



Accessories

TR-JB05-B-IN

Small Bullet Junction Box(Elegant White)



TR-UP06-C-IN

Pole Mounting Bracket for Bullet Junction Box Only



TR-A01-IN

NPT 3/4" Waterproof Cable Gland



TR-UC08-C

Bullet&Dome Corner Mounting Bracket



Zhejiang Uniview Technologies Co., Ltd.

No. 369, Xietong Road, Xixing Sub-district, Binjiang District, Hangzhou City, 310051, Zhejiang Province, China (Zhejiang) Pilot Free Trade Zone, China

Email: overseasbusiness@uniview.com; globalsupport@uniview.com

<http://www.uniview.com>

©2023-2024 Zhejiang Uniview Technologies Co., Ltd. All rights reserved.

*Product specifications and availability are subject to change without notice.

*Despite our best efforts, technical or typographical errors may exist in this document. Uniview cannot be held responsible for any such errors and reserves the right to change the contents of this document without prior notice.