

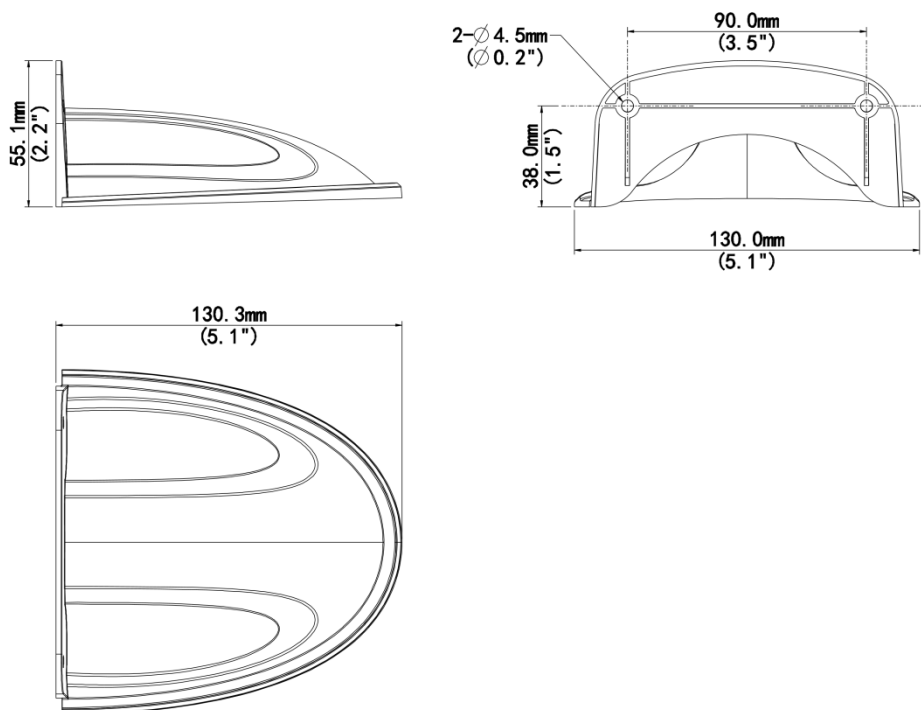
wall installation for IPC32X series Fixed dome
HS-205S



Specifications

Model	HS-205S
Bracket	
Application	wall installation for IPC32X series Fixed dome
Bracket Dimensions	130.3 mm × 130.0 mm × 55.1 mm (5.1" × 5.1" × 2.2")
Bracket Weight	0.05kg(0.11lb)
Bracket Material	Plastic

Dimensions



Ordering Info

Product Model	Description
HS-205S	Sunshade Shell for Fixed Focus Dome

Unlimited New View

Zhejiang Uniview Technologies Co., Ltd.



<http://www.uniview.com>



overseasbusiness@uniview.com; globalsupport@uniview.com



No. 369, Xietong Road, Xixing Sub-district, Binjiang District, Hangzhou City, 310051, Zhejiang Province, China



©2023-2025 Zhejiang Uniview Technologies Co., Ltd. All rights reserved.

*Product specifications and availability are subject to change without notice.

Despite our best efforts, technical or typographical errors may exist in this document. Uniview cannot be held responsible for any such errors and reserves the right to change the contents of this document without prior notice.