

5MP ColorHunter With Smart Dual Light Bullet Analog Camera

UAC-B145-AF28(40)LM-DL



Overview

UAC-B45-AF28(40)LM-DL is a 5MP ColorHunter with smart dual light bullet analog camera with a high-performance 1/2.7-inch CMOS sensor. It supports TVI/AHD/CVI/CVBS, which effectively enhances product adaptability and diversity of networking solutions. With SYV-75-3 or other coaxial cable types, the camera can achieve low-cost, long-distance, and anti-interference mega-pixel HD video transmission without time delay. The camera also supports audio input and synchronous transmission of audio and video. With UNV XVR, our ColorHunter cameras equipped with Smart Dual Light can intelligently switch between IR and white light when detecting a target or not, offering flexible lighting options and enhancing security.

Features

- High quality imaging with 5MP resolution
- TVI/AHD/CVI/CVBS
- Supports IR-cut filter with auto-switch (ICR)
- Smart Dual Light (only TVI)
- Supports 180 horizontal flip, 180 vertical flip
- OSD configuration menu, easy to operate

- IP67 waterproof and dustproof design, high reliability
- OSD configuration menu in 11 languages
- Built-in microphone for high quality audio transmission via coaxial cables

Specifications

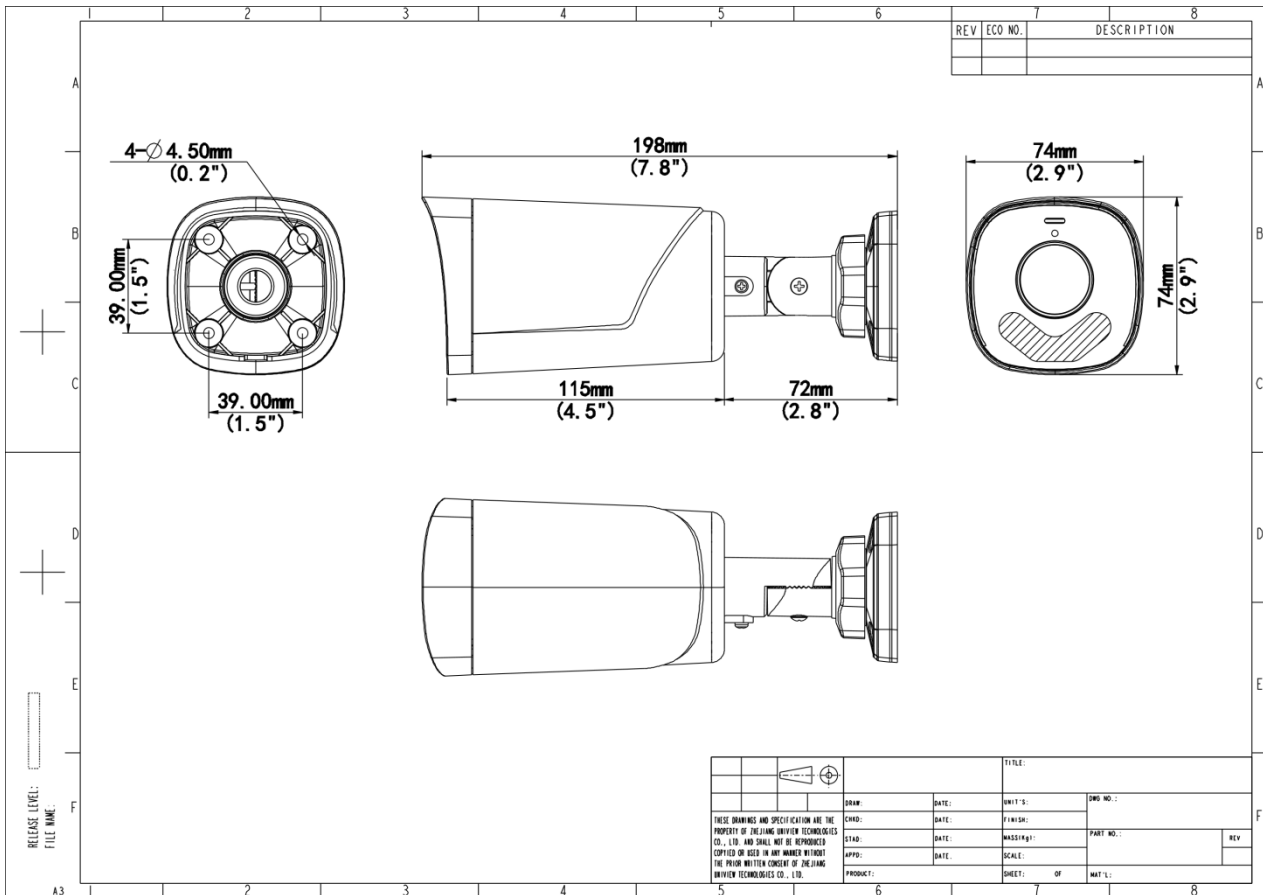
Model	UAC-B145-AF28LM-DL	UAC-B145-AF40LM-DL
Sensor		
Pixel	5 MP	
Sensor Size	1/2.7" CMOS	
Min. Illumination	0.005 lux (F1.6, AGC ON) 0 lux (Illuminator ON)	
Lens		
Focus	2.8 mm	4.0 mm
Lens Mount	M12	
Angle of View (H)	110.0°	90.0°
Angle of View (V)	57.0°	48.0°
Angle of View (D)	130.0°	109.1°
Illuminator		
Illuminator Number	Two IR illuminators; Two white-light illuminators	
Illumination Distance	IR: 40m (131.23 ft) White light: 40m (131.23ft)	
Lifetime	≥ 60000 hours	
Video		
Resolution	5MP@25fps: 2880(H)×1620(V); 5MP@20fps: 2592(H)×1944(V); 5MP@12.5fps: 2592(H)×1944(V) 4MP: 2560(H)×1440(V) 1080P: 1920(H)×1080(V)	
Frame Rate	TVI: 5MP@20fps (default), 5MP@12.5fps, 4MP@25fps, 4MP@30fps, 1080P@25fps, 1080P@30fps AHD: 5MP@20fps, 4MP@25fps, 4MP@30fps, 1080P@25fps, 1080P@30fps CVI: 5MP@25fps, 4MP@25fps, 4MP@30fps, 1080P@25fps, 1080P@30fps CVBS: PAL, NTSC	
Shutter Time	PAL: 1/25s-1/50000s, NTSC: 1/30s-1/50000s	
Image		

Exposure Mode	Four modes: Global (default), BLC, HLC, DWDR	
Day/Night	Three modes: Auto (default), Day, Night	
Digital Noise Reduction	2D	
White Balance	Two modes: Auto (default), Manual	
WDR	DWDR	
Light Mode	Dual light (default) , Infrared, White light	
Flip	Supports 180°horizontal flip, 180°vertical flip	
Audio		
Built-in Mic	Support	
Camera Audio	TVI: 5MP@20fps, 5MP@12.5fps, 4MP@25fps, 4MP@30fps, 1080P@25fps, 1080P@30fps CVI: 5MP@25fps, 4MP@25fps, 4MP@30fps	
Interface		
Power Interface	5.5 mm Power Interface	
Video Output	BNC, supports TVI/AHD/CVI/CVBS	
Operating Environment		
Temperature	-30 °C to 60 °C (-22 °F to 140 °F)	
Humidity	≤ 95% RH (non-condensing)	
Surge Protection	4kV for power&4kV for video output interfaces	
General		
Power	DC 12 V ± 25%	
Power Consumption	MAX 3.5W	
Mount	Corner Mount&Pole Mount	
Dimensions	198mm*74mm*74mm (L*W*H)	
Material	Metal + Plastic	
Weight	227g (0.50lb)	227g(0.50lb)
OSD Menu Language	11 Languages English, German, Spanish (Latin America), French, Italian, Japanese, Korean, Polish, Portuguese (Brazil), Russian, Turkish	
Certification		
EMC	CE-EMC (EN 55032, EN 61000-3-3, EN IEC 61000-3-2, EN 55035), FCC (FCC 47 CFR part15 B)	
Safety	CE-LVD (EN 62368-1)	
Environment	CE-RoHS (2011/65/EU; (EU) 2015/863); WEEE (2012/19/EU)	

Protection

IP67 (IEC 60529)

Dimensions



Zhejiang Uniview Technologies Co., Ltd.

No. 369, Xietong Road, Xixing Sub-district, Binjiang District, Hangzhou City, 310051, Zhejiang Province, China (Zhejiang) Pilot Free Trade Zone, China

Email: overseasbusiness@uniview.com; globalsupport@uniview.com

<http://www.uniview.com>

©2024 Zhejiang Uniview Technologies Co., Ltd. All rights reserved.

*Product specifications and availability are subject to change without notice.

*Despite our best efforts, technical or typographical errors may exist in this document. Uniview cannot be held responsible for any such errors and reserves the right to change the contents of this document without prior notice.