

# Digital Video Recorder

## XVR301-Q3 Series



### Features

- Support H.265/H.264 video formats
- Support audio over coaxial cable(only for TVI cameras)
- Support TVI, AHD, CVI, CVBS, IP cameras with adaptive access
- 4/8-channel BNC input
- Support 1-ch CVBS output, 1-ch VGA output, 1-ch HDMI output at up to 4K(3840 x 2160)
- HDMI and VGA simultaneous output
- Long transmission distance over coaxial cable
- Support mainstream cameras of ONVIF and RTSP protocols

### Specifications

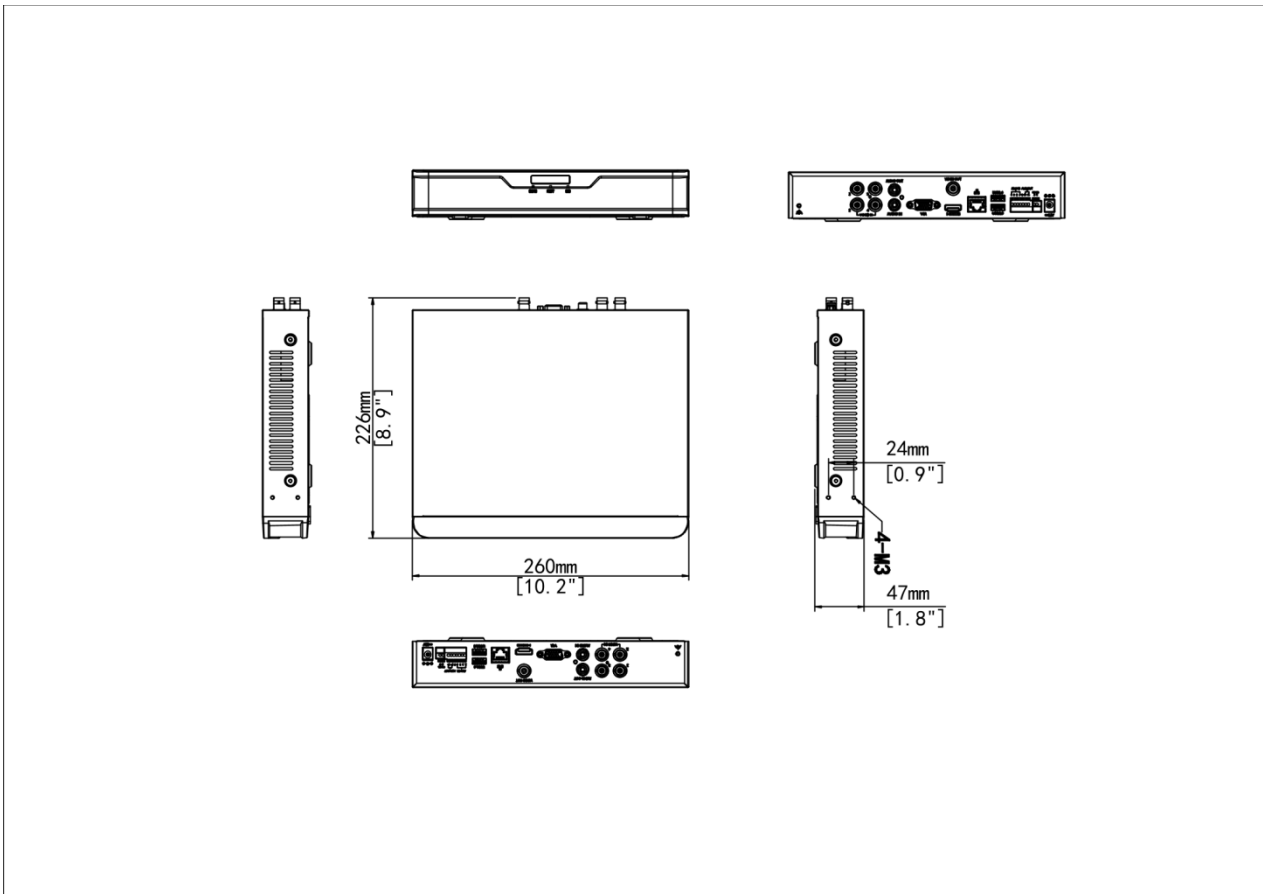
Model	XVR301-04Q3	XVR301-08Q3
Video/Audio Input		
IP Video Input	2-ch	4-ch
Analog Video Input	4-ch, BNC	8-ch, BNC
Max IP Video Input	6-ch	12-ch

Supported Analog Camera Types	Support AHD input: 8MP@15fps 5MP@20fps 4MP@30fps 1080P@30fps 720P@30fps Support TVI input: 8MP@15fps 3K@20fps 5MP@20fps 4MP@30fps 1080P@30fps 720P@30fps Support CVI input: 8MP@15fps 5MP@25fps 4MP@30fps 1080P@30fps 720P@30fps Support CVBS input	Support AHD input: 8MP@15fps 5MP@20fps 4MP@30fps 1080P@30fps 720P@30fps Support TVI input: 8MP@15fps 3K@20fps 5MP@20fps 4MP@30fps 1080P@30fps 720P@30fps Support CVI input: 8MP@15fps 5MP@25fps 4MP@30fps 1080P@30fps 720P@30fps Support CVBS input
	BNC Audio Input	4-ch, channel audio
RCA Audio Input	1-ch	
<b>Video/Audio Output</b>		
HDMI Output	HDMI: 4K (3840 × 2160)/30 Hz, 1920 × 1080/60 Hz, 1920 × 1080/50 Hz, 1600 × 1200/60 Hz, 1280 × 1024/60 Hz, 1280 × 720/60 Hz, 1024 × 768/60 Hz	
VGA Output	VGA: 1920 × 1080/60 Hz, 1920 × 1080/50 Hz, 1600 × 1200/60 Hz, 1280 × 1024/60 Hz, 1280 × 720/60 Hz, 1024 × 768/60 Hz	
BNC Video Output	1-ch	
RCA Audio Output	1-ch	
Live View Display	HDMI/VGA: 1/4/6/8/9	HDMI/VGA: 1/4/6/8/9/16
<b>Encoding/Decoding</b>		
Recording Resolution	8MP Lite/5MP Lite/4MP Lite/1080P/720P/D1	
Recording Frame Rate	Main stream: 8MP Lite@8fps Sub stream: D1@8fps Main stream: 3K Lite@12fps Sub stream: D1@12fps Main stream: 5MP Lite@12fps Sub stream: D1@12fps Main stream: 4MP Lite@15fps Sub stream: D1@15fps Main stream: 1080P@15fps Sub stream: D1@15fps Main stream: 720P@30fps Sub stream: D1@30fps	

Audio Sample Rate	8 kHz, 16 bit per channel	
Audio Bit Rate	64 Kbps per channel	
Decoding Capability	Analog: 4 x 8MP Lite@8, 4 x 3K Lite@12, 4x 5MP Lite@12, 4x 4MP Lite@15, 4 x 1080P@15 IP: 1 x 4MP@30, 2 x 1080P@30	Analog: 8 x 8MP Lite@8, 8 x 3K Lite@12, 8 x 5MP Lite@12, 8 x 4MP Lite@15, 8 x 1080P@15 IP: 1 x 8MP@30, 2 x 4MP@30, 4 x 1080P@30
<b>Two-way Audio</b>		
Two-way Audio	1-ch, RCA (Using the audio input and output)	
<b>Analog Snapshot</b>		
FTP/Schedule/Event Snapshot	Schedule/FTP/Event snapshot:4-ch snapshot, up to 704*576 resolution	Schedule/FTP/Event snapshot:8-ch snapshot, up to 704*576 resolution
<b>Network</b>		
Incoming Bandwidth	40Mbps (Up to 48Mbps after all analog channel conversion)	40Mbps (Up to 56Mbps after all analog channel conversion)
Outgoing Bandwidth	48Mbps	64Mbps
Remote Users	128	
Protocols	TCP/IP, P2P, UPnP, DHCP, HTTP, HTTPS, DNS, DDNS, SMTP, NTP	
Browser(Plugin)	IE10, IE11, Chrome 45+, Edge 79+, Firefox 52+	
<b>Smart</b>		
Analog Smart by XVR	SIP (Intrusion Detection, Cross Line Detection, Enter Area, Leave Area), Ultra Motion Detection (UMD)	
IP Smart by IPC	Face Detection, SIP (Intrusion Detection, Cross Line Detection, Enter Area, Leave Area), Defocus Detection, Scene Change Detection, Object Removed, Object Left Behind, Auto Tracking	
VCA Search	Face Search, Behavior Search	
Smart Functions by XVR	4-ch (UMD) 2-ch (SIP)	8-ch (UMD) 2-ch (SIP)
Smart Functions by IP Camera	2-ch (SIP)	
<b>Alarm</b>		
General Alarm	Motion	
Alert Alarm	IP Conflict, Network Disconnected, Disk offline, Disk Abnormal, Illegal Access, Hard Disk Space Low, Hard Disk Full, Recording/Snapshot Abnormal	
<b>GUI Language</b>		

GUI Language	38 languages: Simplified Chinese, Traditional Chinese, English, Vietnamese, Thai, Turkish, Spanish (Latin America), Portuguese (Brazil), Spanish, Portuguese, French, German, Italian, Dutch, Polish, Czech, Hungarian, Slovak, Russian, Hebrew, Arabic, Ukrainian, Estonian, Bulgarian, Greek, Romanian, Danish, Swedish, Norwegian, Finnish, Croatian, Slovenia, Serbia, Korean, Japanese, Latvian, Lithuanian, Persian
<b>Hard Disk</b>	
SATA	1 SATA interface
Capacity	Up to 16 TB for each HDD (The maximum HDD capacity varies with environment temperature)
<b>External Interface</b>	
Network Interface	1 RJ45 10 M/100 M self-adaptive Ethernet Interface
USB	Rear panel: 2 × USB2.0
RS485	1
Alarm In	4-ch
Alarm Out	1-ch
Power Supply	DC 12 V/2 A
<b>Working Environment</b>	
Working Temperature	-10 °C to 55 °C (14 °F to 131 °F )
Working Humidity	≤ 90% RH (non-condensing)
Power Consumption (without HDD)	≤ 10W
<b>Dimensions</b>	
Weight (without HDD)	≤1.1 Kg ( 2.42lb )
Dimensions	260mm ×226mm× 47mm (10.2" × 8.9"×1.8")
<b>Certification</b>	
Certification	CE, FCC, UL, RoHS, WEEE
CE	EN 55032, EN 61000-3-3, EN IEC 61000-3-2, EN 55035
FCC	Part15 Subpart B

## Dimensions



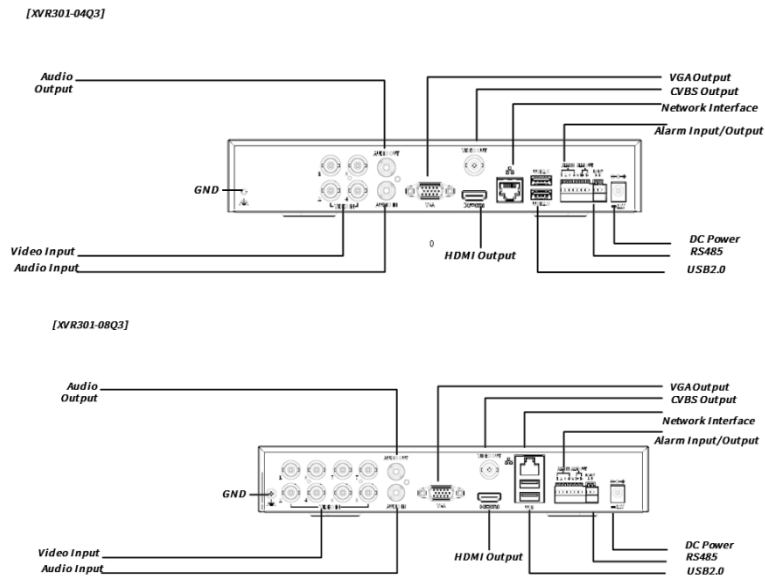
## Accessories

RM-1U-260

1 HDD 1U NVR Rack Mount



## Rear Panel



**Zhejiang Uniview Technologies Co., Ltd.**

No. 369, Xietong Road, Xixing Sub-district, Binjiang District, Hangzhou City, 310051, Zhejiang Province, China (Zhejiang) Pilot Free Trade Zone, China

Email: [overseasbusiness@uniview.com](mailto:overseasbusiness@uniview.com); [globalsupport@uniview.com](mailto:globalsupport@uniview.com)

<http://www.uniview.com>

©2023-2024 Zhejiang Uniview Technologies Co., Ltd. All rights reserved.

\*Product specifications and availability are subject to change without notice.

\*Despite our best efforts, technical or typographical errors may exist in this document. Uniview cannot be held responsible for any such errors and reserves the right to change the contents of this document without prior notice.