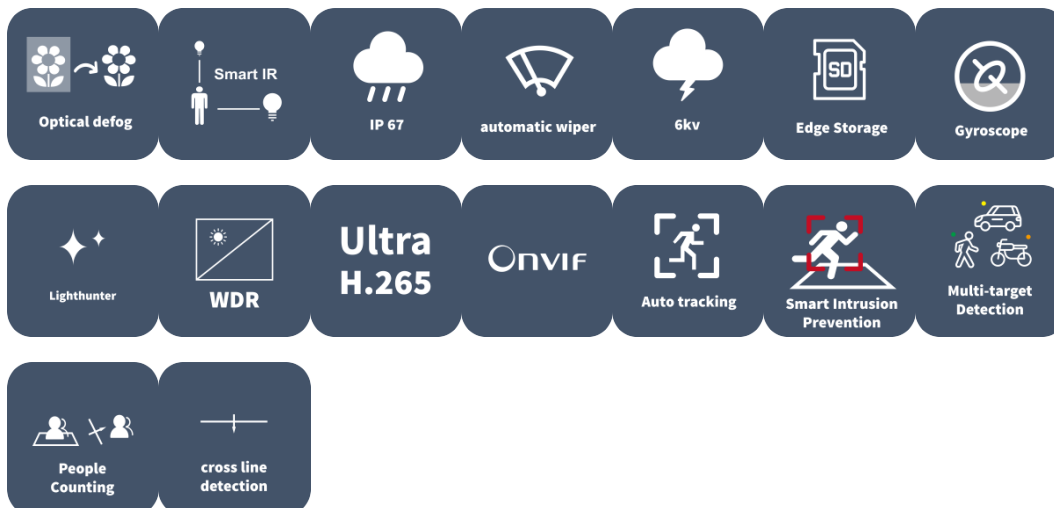


# 4MP 41X LightHunter Intelligent Network Positioning System

IPC7624ER-X41-VH1



## Features

- 2688\*1520@60fps in the main stream
- 41X Optical Zoom
- Smart intrusion prevention, Support false alarm filtering: Cross line detection, Intrusion detection, Enter area detection
- Leave area detection
- automatic selection of best snapshots, support face detection masked area
- People Counting, Support people flow counting and crowd density monitoring
- Support Optical defog, Self-adaptive defog

- Lighthunter technology ensures ultra-high image quality in low illumination environment
- Smart IR, up to 400m (1312ft) IR distance
- Rain-sensing auto wiper
- Power supply: DC  $\pm 48V \pm 25\%$ , DC  $24V \pm 15\%$  (DC20V~DC60V), AC  $24V \pm 25\%$
- Alarm 7 in and 2 out, Audio 1 in and 1 out
- IP67 ingress protection

## Specifications

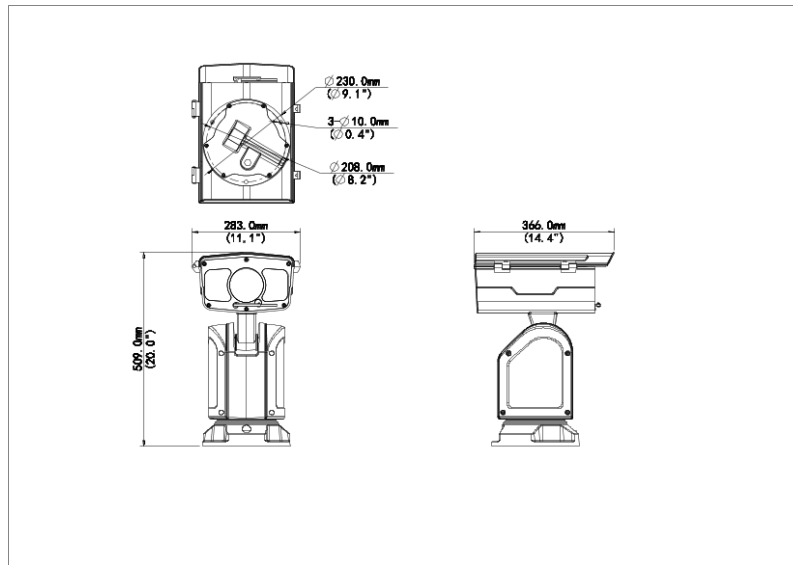
| Camera                    | Description                                      |
|---------------------------|--|
| Sensor                    | 1/1.8" CMOS                                      |
| Min. Illumination         | Colour: 0.0005Lux (F1.2, AGC ON)<br>0Lux with IR |
| Day/Night                 | IR-cut filter with auto switch (ICR)             |
| Shutter                   | Auto/Manual,<br>1 ~ 1/100000s                    |
| WDR                       | 120dB  |
| S/N                       | >56dB  |
| Lens                      | Description                                      |
| Focal Length              | 6~246mm  |
| Digital Zoom              | 16X  |
| Optical Zoom              | 41X  |
| Iris                      | F1.2(W)~F4.6(T)                                  |
| Field of View (H)         | 59.47°(W)~2.21°(T)                               |
| Field of View (V)         | 35.62°(W)~1.21°(T)                               |
| Field of View (D)         | 77.3°(W)~2.6°(T)                                 |
| DORI                      | Description                                      |
| DORI Distance (Lens)      | 6~246mm  |
| DORI Distance (Detect)    | 107.2m-3330m (351ft-10927ft)                     |
| DORI Distance (Observe)   | 42m-1332m(140ft-4370ft)                          |
| DORI Distance (Recognize) | 21m-666m(70ft-2185ft)                            |
| DORI Distance (Identify)  | 10m-333m(35ft-1092ft)                            |

| Illuminator                | Description   |
|----------------------------|---|
| Illumination Distance (IR) | 400 m (1312.3 ft)   |
| IR On/Off Control          | Auto/Manual   |
| Wavelength                 | 850 nm  |
| Video                      | Description   |
| Privacy Mask               | 24 areas, up to 8 areas per scene   |
| Video Compression          | Ultra 265; H.265; H.264; MJPEG  |
| Frame Rate                 | Main Stream: 4MP (2688*1520), Max 60fps;<br>Sub Stream: 2MP (1920*1080), Max 60fps;<br>Third Stream: D1 (720*576), Max 60fps  |
| Video Bit Rate             | 128Kbps~16384Kbps   |
| U-code                     | Support   |
| ROI                        | Support   |
| Video Stream               | Triple Streams  |
| OSD                        | Up to 10 OSDs   |
| Intelligent                | Description   |
| People Counting            | Support People Flow Counting and Crowd Density Monitoring   |
| Smart Intrusion Prevention | Cross line detection, Intrusion detection, Enter area detection, Leave area detection<br>(support false alarm filtering and the classification of human, non-motor vehicle and vehicle) |
| Multi-target Detection     | Support   |
| Image                      | Description   |
| Defog                      | Support   |
| White Balance              | Auto; Outdoor; Fine Tune; Sodium Lamp; Locked; Auto2  |
| Digital Noise Reduction    | 2D/3D DNR   |
| Flip                       | Normal; Flip Vertical; Flip Horizontal; 180°  |
| HLC                        | Support   |
| BLC                        | Support   |
| Events                     | Description   |
| Basic Detection            | Motion Detection; Ultra Motion Detection; Tampering Alarm; Audio Detection; Voltage<br>Detection; Object Removed; Object Left Behind  |
| General Function           | Watermark; IP Address Filtering; Alarm Input; Alarm Output; Access Policy; ARP Protection;<br>RTSP Authentication; User Authentication; HTTP Authentication                             |

| Audio                  | Description  |
|------------------------|--|
| Audio Compression      | G.711U; G.711A   |
| Audio Bitrate          | 128 Kbps   |
| Two-way Audio          | Support  |
| Suppression            | Support  |
| Sampling Rate          | 16KHZ  |
| Storage                | Description  |
| Edge Storage           | Micro SD, up to 512 GB   |
| Network Storage        | ANR; NAS (NFS)   |
| PTZ                    | Description  |
| Pan Range              | 360° (endless)   |
| Pan Speed              | 0.1°/s~140°/s  |
| Tilt Range             | +45°~-90°  |
| Tilt Speed             | 0.1°/s ~ 50°/s   |
| Number of Presets      | 1024   |
| Route Patrol           | 16 patrols, up to 32 actions for each patrol   |
| Recorded Patrol        | Support  |
| Preset Patrol          | 16 patrols, up to 64 presets for each patrol   |
| Patrol Stay Time       | 15s ~ 1800s  |
| Preset Image Freeze    | Support  |
| Home Position          | Support  |
| Network                | Description  |
| User/Host              | Up to 32 users. 3 user levels: administrator,common user and operator  |
| Protocols              | IPv4; IGMP; ICMP; ARP; TCP; UDP; DHCP; PPPoE; RTP; RTSP; RTCP; DNS; DDNS; NTP; FTP; UPnP; HTTP; HTTPS; 802.1x; SNMP; QoS; RTMP; SSL/TLS; IPv6  |
| Compatible Integration | ONVIF (Profile S, Profile G, Profile T); API; SDK  |
| Security               | Password Protection; Strong Password; HTTPS Encryption; Export Operation Logs; Basic and Digest Authentication for RTSP; Digest Authentication for HTTP; TLS 1.2; WSSE and Digest Authentication for ONVIF |
| Client                 | EZStation; UNV-Link; UNV-Link Pro  |
| Web Browser            | Plug-in required live view: IE 10 and above,Chrome 45 and above,Firefox 52 and above,Edge 79 and above   |

| Interface           | Description  |
|---------------------|--|
| Audio I/O           | 1 Input: impedance 1k $\Omega$ ; amplitude 2.5V [p-p]; 1 Output: impedance 600 $\Omega$ ; amplitude 2.5V [p-p]                 |
| Alarm I/O           | 7/2  |
| Serial Port         | 1 * RS485  |
| Network             | 1 x RJ45 1000M Base-TX Ethernet  |
| Video Output        | 1 BNC (For debugging)  |
| Certification       | Description  |
| EMC                 | CE-EMC (EN 55032:2015,EN 50130-4:2011+A1:2014, EN 61000-3-2:2014, EN 61000-3-3:2013)FCC (FCC CFR 47 part15 B, ANSI C63.4-2014) |
| Safety              | CE LVD (EN IEC 62368-1:2020+A11:2020)UL (UL UL 62368-1, 3rd Ed.,2021-10-22)  |
| Environment         | CE-ROHS (2011/65/EU;(EU)2015/863)  |
| Protection          | IP67 (IEC 60529:1989+AMD1:1999+AMD2:2013)  |
| General             | Description  |
| Power               | DC $\pm 48V \pm 25\%$ , DC $24V \pm 15\%$ (DC20V~DC60V), AC $24V \pm 25\%$   |
| Power Consumption   | Max 103W   |
| Power Interface     | Wires with cold-pressed terminal   |
| Dimensions          | 283 x 366 x 509mm (11.1" x 14.4" x20.0") (L*W*H)   |
| Weight              | 14.76Kg  |
| Working Environment | -40 $^{\circ}$ C ~ 70 $^{\circ}$ C (-40 $^{\circ}$ F ~ 158 $^{\circ}$ F), Humidity: $\leq 95\%$ RH (non-condensing)            |
| Storage Environment | -40 $^{\circ}$ C ~ 70 $^{\circ}$ C (-40 $^{\circ}$ F ~ 158 $^{\circ}$ F), Humidity: $\leq 95\%$ RH (non-condensing)            |
| Surge Protection    | 6KV  |
| Reset Button        | Support  |

## Dimensions



## Accessories

TR-WM08-B

Wall Mounting Bracket for Explosion-proof Pan-Tilt



### Zhejiang Uniview Technologies Co., Ltd.

No. 369, Xietong Road, Xixing Sub-district, Binjiang District, Hangzhou City, 310051, Zhejiang Province, China (Zhejiang) Pilot Free Trade Zone, China

Email: [overseasbusiness@uniview.com](mailto:overseasbusiness@uniview.com); [globalsupport@uniview.com](mailto:globalsupport@uniview.com)

<http://www.uniview.com>

©2024 Zhejiang Uniview Technologies Co., Ltd. All rights reserved.

\*Product specifications and availability are subject to change without notice.

\*Despite our best efforts, technical or typographical errors may exist in this document. Uniview cannot be held responsible for any such errors and reserves the right to change the contents of this document without prior notice.