

# Digital Video Recorder

## XVR301-Q3 Series



### Features

- Support H.265/H.264 video formats
- Support audio over coaxial cable(only for TVI cameras)
- Support TVI, AHD, CVI, CVBS, IP cameras with adaptive access
- 4/8-channel BNC input
- Support 1-ch CVBS output, 1-ch VGA output, 1-ch HDMI output at up to 4K(3840 x 2160)
- HDMI and VGA simultaneous output
- Long transmission distance over coaxial cable
- Support mainstream cameras of ONVIF and RTSP protocols

### Specifications

通道	Description
通道	
Video/Audio Input	Description
IP Video Input	XVR301-04Q3:2-ch XVR301-08Q3/XVR301-08Q3-NB:4-ch
Analog Video Input	XVR301-04Q3:4-ch, BNC XVR301-08Q3/XVR301-08Q3-NB:8-ch, BNC

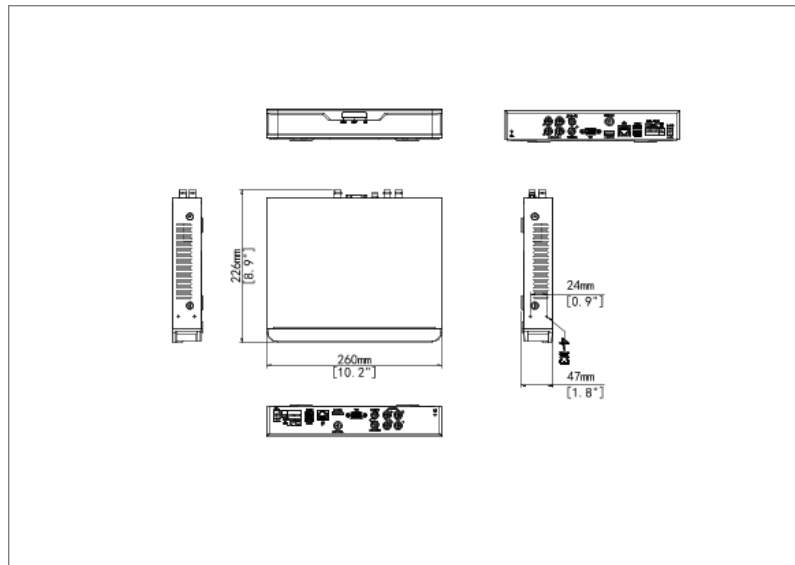
<p>Max IP Video Input</p>	<p>XVR301-04Q3:6-ch XVR301-08Q3/XVR301-08Q3-NB:12-ch</p>
<p>Supported Analog Camera Types</p>	<p>XVR301-04Q3:Support AHD input: 8MP@15fps 5MP@20fps 4MP@30fps 1080P@30fps 720P@30fps Support TVI input: 8MP@15fps 3K@20fps 5MP@20fps 4MP@30fps 1080P@30fps 720P@30fps Support CVI input: 8MP@15fps 5MP@25fps 4MP@30fps 1080P@30fps 720P@30fps Support CVBS input XVR301-08Q3/XVR301-08Q3-NB:Support AHD input: 8MP@15fps 5MP@20fps 4MP@30fps 1080P@30fps 720P@30fps Support TVI input: 8MP@15fps 3K@20fps 5MP@20fps 4MP@30fps 1080P@30fps 720P@30fps Support CVI input: 8MP@15fps 5MP@25fps 4MP@30fps 1080P@30fps 720P@30fps Support CVBS input</p>

BNC Audio Input	XVR301-04Q3:4-ch, channel audio XVR301-08Q3/XVR301-08Q3-NB:8-ch, channel audio
RCA Audio Input	1-ch
<b>Video/Audio Output</b>	<b>Description</b>
HDMI Output	HDMI:4K(3840x2160)/30Hz, 1920x1080/60Hz, 1920x1080/50Hz, 1600x1200/60Hz, 1280x1024/60Hz, 1280x720/60Hz, 1024x768/60Hz
VGA Output	XVR301-04Q3/XVR301-08Q3:VGA:1920x1080/60Hz, 1920x1080/50Hz, 1600x1200/60Hz, 1280x1024/60Hz, 1280x720/60Hz, 1024x768/60Hz XVR301-08Q3-NB:VGA: 1920x1080p/60Hz, 1920x1080p/50Hz, 1600x1200/60Hz, 1280x1024/60Hz, 1280x720/60Hz, 1024x768/60Hz
BNC Video Output	1-ch
RCA Audio Output	1-ch
Live View Display	XVR301-04Q3:HDMI/VGA: 1/4/6/8/9 XVR301-08Q3/XVR301-08Q3-NB:HDMI/VGA: 1/4/6/8/9/16
<b>Encoding/Decoding</b>	<b>Description</b>
Recording Resolution	8MP Lite/5MP Lite/4MP Lite/1080P/720P/D1
Recording Frame Rate	Main stream: 8MP Lite@8fps Sub stream: D1@8fps Main stream: 3K Lite@12fps Sub stream: D1@12fps Main stream: 5MP Lite@12fps Sub stream: D1@12fps Main stream: 4MP Lite@15fps Sub stream: D1@15fps Main stream: 1080P@15fps Sub stream: D1@15fps Main stream: 720P@30fps Sub stream: D1@30fps
Audio Sample Rate	8KHz, 16 bit per channel
Audio Bit Rate	64Kbps per channel
Decoding Capability	XVR301-04Q3:Analog: 4 x 8MP Lite@8, 4 x 3K Lite@12, 4x 5MP Lite@12, 4x 4MP Lite@15, 4 x 1080P@15 IP: 1 x 4MP@30, 2 x 1080P@30 XVR301-08Q3/XVR301-08Q3-NB:Analog: 8 x 8MP Lite@8, 8 x 3K Lite@12, 8 x 5MP Lite@12, 8 x 4MP Lite@15, 8 x 1080P@15 IP: 1 x 8MP@30, 2 x 4MP@30, 4 x 1080P@30
<b>Two-way Audio</b>	<b>Description</b>
Two-way Audio	1-ch, RCA(Using the audio input and output)
<b>Analog Snapshot</b>	<b>Description</b>
FTP/Schedule/Event Snapshot	XVR301-04Q3:Schedule/FTP/Event snapshot:4-ch snapshot, up to 704*576 resolution

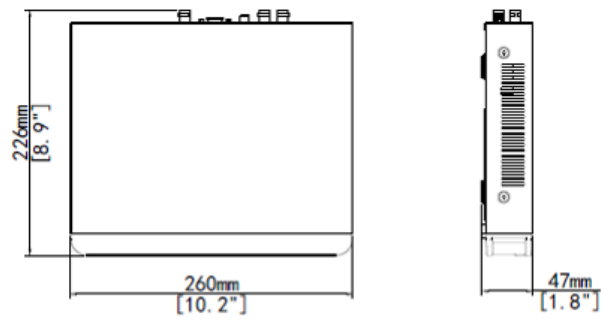
	XVR301-08Q3/XVR301-08Q3-NB:Schedule/FTP/Event snapshot:8-ch snapshot, up to 704*576 resolution
<b>Network</b>	<b>Description</b>
Incoming Bandwidth	XVR301-04Q3:40Mbps (Up to 48Mbps after all analog channel conversion) XVR301-08Q3/XVR301-08Q3-NB:40Mbps (Up to 56Mbps after all analog channel conversion)
Outgoing Bandwidth	XVR301-04Q3:48Mbps XVR301-08Q3/XVR301-08Q3-NB:64Mbps
Remote Users	128
Protocols	TCP/IP; P2P; UPnP; DHCP; HTTP; HTTPS; DNS; DDNS; SMTP; NTP
Browser(Plugin)	XVR301-04Q3/XVR301-08Q3:Windows: IE (IE10/ 11), Firefox (version 52.0 and above), Chrome (version 45 and above), Edge (version 79 and above) XVR301-08Q3-NB:IE(IE10/11) Firefox (version 52.0 and above) Chrome(version 45 and above) Edge(version 79 and above)
<b>Smart</b>	<b>Description</b>
Analog Smart by XVR	XVR301-04Q3/XVR301-08Q3:SIP(Intrusion Detection, Cross Line Detection, Enter Area, Leave Area); Ultra Motion Detection(UMD) XVR301-08Q3-NB:SIP(Intrusion Detection, Cross Line Detection, Enter Area, Leave Area); Ultra Motion Detection(UMD)
VCA Search	Face Search; Behavior Search
Smart Functions by XVR	XVR301-04Q3:4-ch(UMD); 2-ch(SIP) XVR301-08Q3:8-ch(UMD); 2-ch(SIP) XVR301-08Q3-NB:8-ch(UMD), 2-ch(SIP)
<b>Alarm</b>	<b>Description</b>
General Alarm	XVR301-04Q3/XVR301-08Q3:Motion
Alert Alarm	IP Conflict; Network Disconnected; Disk offline; Disk Abnormal; Illegal Access; Hard Disk Space Low; Hard Disk Full; Recording/Snapshot Abnormal
<b>GUI Language</b>	<b>Description</b>
GUI Language	38 languages: Simplified Chinese, Traditional Chinese, English, Vietnamese, Thai, Turkish, Spanish (Latin America), Portuguese (Brazil), Spanish, Portuguese, French, German, Italian, Dutch, Polish, Czech, Hungarian, Slovak, Russian, Hebrew, Arabic, Ukrainian, Estonian, Bulgarian, Greek, Romanian, Danish, Swedish, Norwegian, Finnish, Croatian, Slovenia, Serbia, Korean, Japanese, Latvian, Lithuanian, Persian
<b>Hard Disk</b>	<b>Description</b>

SATA	1 SATA interface
Capacity	Up to 16TB for each HDD(The maximum HDD capacity varies with environment temperature)
<b>External Interface</b>	<b>Description</b>
Network Interface	1 RJ45 10M/100M self-adaptive Ethernet Interface
USB	Rear panel: 2 x USB2.0
RS485	1
Alarm In	4-ch
Alarm Out	1-ch
Power Supply	DC 12V/2A
<b>Working Environment</b>	<b>Description</b>
Working Temperature	-10 °C ~ 55 °C (14 °F ~ 131 °F )
Working Humidity	≤ 90% RH(non-condensing)
Power Consumption (without HDD)	≤ 10W
<b>Dimensions</b>	<b>Description</b>
Weight (without HDD)	≤1.1 Kg ( 2.42lb )
Dimensions	260mm × 226mm × 47mm (10.2" × 8.9"× 1.8")
<b>Certification</b>	<b>Description</b>
Certification	CE, FCC, UL, RoHS, WEEE
CE	EN 55032, EN 61000-3-3, EN IEC 61000-3-2, EN 55035
FCC	Part15 Subpart B

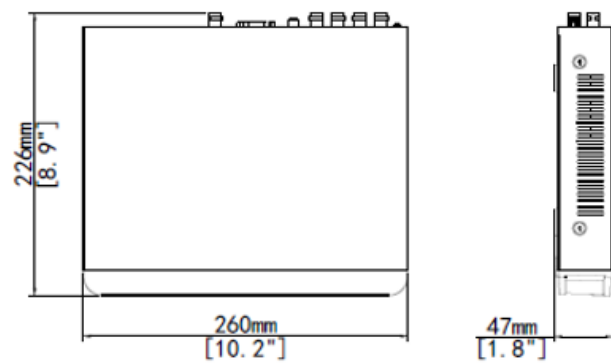
# Dimensions



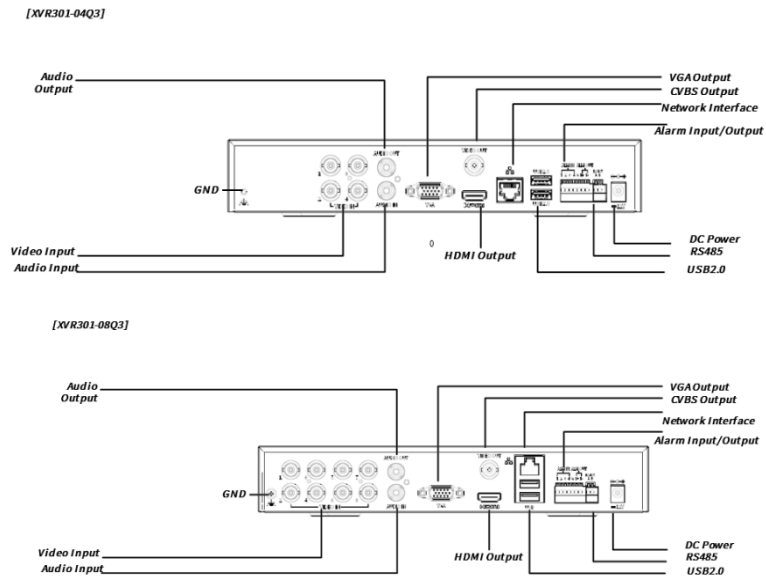
[XVR301-04Q3]



[XVR301-08Q3]



## Rear Panel



**Zhejiang Uniview Technologies Co., Ltd.**

No. 369, Xietong Road, Xixing Sub-district, Binjiang District, Hangzhou City, 310051, Zhejiang Province, China

Email: [overseasbusiness@uniview.com](mailto:overseasbusiness@uniview.com); [globalsupport@uniview.com](mailto:globalsupport@uniview.com)

<http://www.uniview.com>

©2023-2024 Zhejiang Uniview Technologies Co., Ltd. All rights reserved.

\*Product specifications and availability are subject to change without notice.

\*Despite our best efforts, technical or typographical errors may exist in this document. Uniview cannot be held responsible for any such errors and reserves the right to change the contents of this document without prior notice.