

IPC98544EFW-X42-X25-W-VH

IPC98544EFW-X42-X25-W-VH



## Features

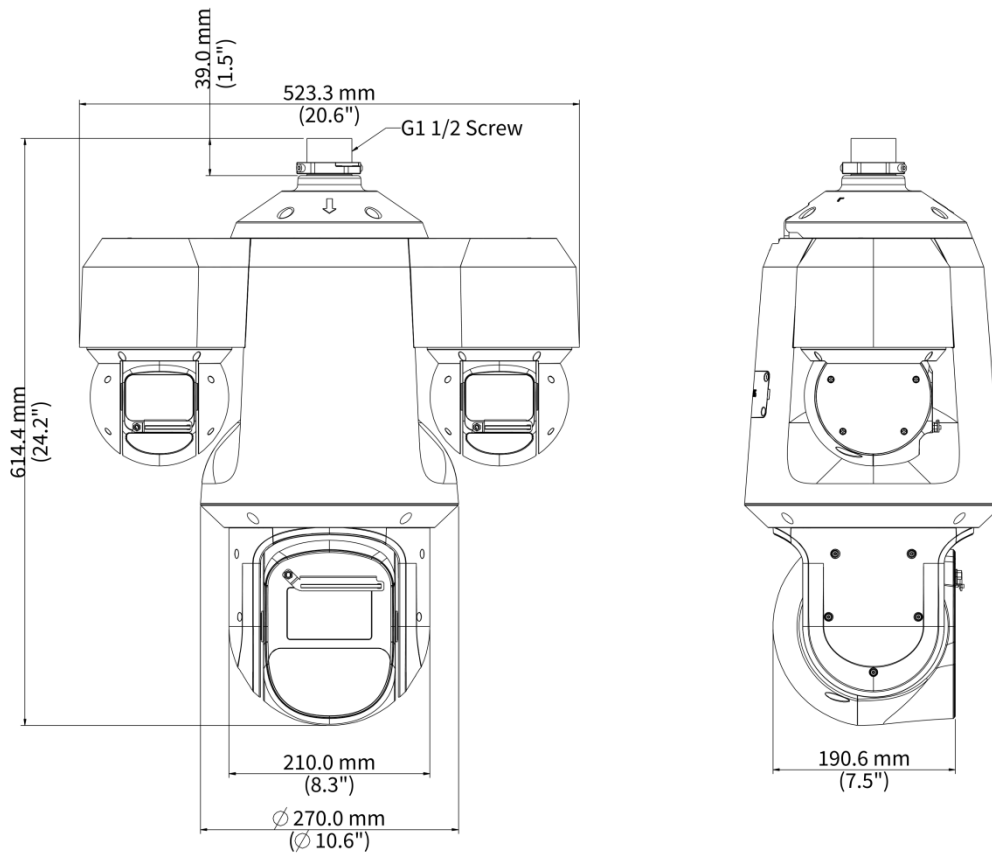
- Supports single IP triple-channel, simultaneously preview dual panoramic and detailed live views, balances panoramic monitoring and detailed capturing; independent capturing on all three channels, meets the need for multi-purpose usage in a single device
- Supports triple-channel wiper, ensuring image clarity at all times
- Three-camera high-zoom field of view, 25x panoramic coverage, 40x detail capturing, seamless target tracking with no blind spots, and comprehensive control of scene information
- Supports picture-in-picture and four-split-screen display modes, freely arranges panoramic and detailed live views, and provides easier access to target details
- Supports gyroscope optical image stabilization, effectively reduces screen shake, ensuring stable and clear images
- Supports intelligent infrared technology that adjusts infrared brightness in real time according to image brightness, preventing overexposure in close-up scenes
- Optical fog penetration, the camera can automatically adjust fog penetration levels based on the severity of fog or haze
- The device supports GPS, enabling automatic collection of longitude and latitude information and eliminating the need for manual camera position calibration
- The device is equipped with a high-precision encoder capable of achieving 0.04° accuracy, ensuring smooth camera stabilizer movement and supporting automatic correction

## Specifications




Channel	Channel 1 (Panorama)	Channel 2 (Panorama)	Channel 3 (Detail)
<b>Camera</b>			
Sensor	1/1.8" CMOS		
Min. Illumination	Color: 0.0005lux (F1.5, AGC ON) IR: 0.0001lux (F1.5, AGC ON)		
Max Resolution	4 MP		
WDR	120 dB		
<b>Lens</b>			
Focal Length	6 to 150 mm	6 to 150 mm	6 to 252 mm
Field of View (V)	36.4° to 1.85°	36.4° to 1.85°	35.62° to 1.23°
Field of View (H)	60.62° to 3.29°	60.62° to 3.29°	59.47° to 2.2°
Optical Zoom	25X	25X	42X
<b>DORI</b>			
DORI Distance (Lens)	6 ~ 150 mm	6 ~ 150 mm	6 ~ 252 mm
DORI Distance (Detect)	93.1 m to 2327.6 m (305.5 ft. to 7636.4 ft.)	93.1 m to 2327.6 m (305.5 ft. to 7636.4 ft.)	88.4 m to 3724.1 m (290.2 ft. to 12218.3 ft.)
DORI Distance (Observe)	37.2 m to 931 m (122.2 ft. to 3054.6 ft.)	37.2 m to 931 m (122.2 ft. to 3054.6 ft.)	35.4 m to 1489.7 m (116.1 ft. to 4887.3 ft.)
DORI Distance (Recognize)	18.6 m to 465.5 m (61.1 ft. to 1527.3 ft.)	18.6 m to 465.5 m (61.1 ft. to 1527.3 ft.)	17.7 m to 744.8 m (58 ft. to 2443.7 ft.)
DORI Distance (Identify)	9.3 m to 232.8 m (30.5 ft. to 763.6 ft.)	9.3 m to 232.8 m (30.5 ft. to 763.6 ft.)	8.8 m to 372.4 m (29 ft. to 1221.8 ft.)
<b>Illuminator</b>			
Light On/Off Control	Auto/Manual		
Illumination Distance	IR : 150m (492.13 ft.)	IR : 150m (492.13 ft.)	WH : 80m (262.47 ft.) IR : 500m (1640.42 ft.)
<b>Video</b>			
U-code	Support		
ROI	Up to 8 areas		
Video Bit Rate	128 Kbps to 16 Mbps		
Video Compression	H.265, H.264, MJPEG		
Frame Rate	Main Stream: 4 MP (2688 × 1520), max. 30 fps Sub Stream: 1080P (1920 × 1080), max. 30 fps Third Stream: D1 (720 × 576), max. 30 fps		
OSD	Up to 10 OSDs		
<b>Audio</b>			
Audio Compression	G.711A, G.711U	G.711U, G.711A	G.711U, G.711A
Sampling Rate	8 kHz, 16 kHz		
<b>Storage</b>			
Edge Storage	MicroSD, up to 512 GB		
<b>Network</b>			

Protocols	IGMP, SMTP, IPv6, ICMP, ARP, TCP, UDP, DHCP, RTSP, DNS, DDNS, NTP, UPnP, HTTP, 802.1x, SNMP, SSL/TLS, SSH, IPv4, RTP, RTCP, RTMP, HTTPS, FTP, QoS	IGMP, SMTP, IPv6, ICMP, ARP, TCP, UDP, DHCP, RTSP, DNS, DDNS, UPnP, NTP, HTTP, 802.1x, SNMP, QoS, SSL/TLS, SSH, RTCP, IPv4, RTP, RTMP, HTTPS, FTP	IGMP, SMTP, IPv6, ICMP, ARP, TCP, UDP, DHCP, RTSP, DNS, DDNS, NTP, UPnP, HTTP, 802.1x, SNMP, QoS, SSL/TLS, SSH, IPv4, RTP, RTCP, RTMP, FTP, HTTPS
Compatible Integration	ONVIF (Profile S, Profile G, Profile T, Profile M), API, SDK	SDK, API, ONVIF (Profile S, Profile G, Profile T, Profile M)	SDK, API, ONVIF (Profile S, Profile G, Profile T, Profile M)
Security	TLS 1.3, Password protection, Strong Password, HTTPS encryption, Export operation logs, Basic and Digest Authentication for RTSP, TLS 1.2, Digest SHA256 Authentication for HTTP, WSSE and Digest Authentication for ONVIF	TLS 1.3, Password protection, Strong Password, HTTPS encryption, Export operation logs, TLS 1.2, Digest Authentication for HTTP, WSSE and Digest Authentication for ONVIF, Basic and Digest Authentication for RTSP	TLS 1.2, TLS 1.3, Password protection, HTTPS encryption, Basic and Digest Authentication for RTSP, WSSE and Digest Authentication for ONVIF, Digest Authentication for HTTP, Digest SHA256 Authentication for HTTP, Strong Password
Web Browser	Plug-in required live view: IE 10+, Chrome 45+, Firefox 52+, Edge 79+		
User/Host	Up to 32 users. 3 user levels: administrator, common user and operator		
<b>PTZ</b>			
Pan Range	-10° ~ 190°	-10° ~ 190°	360°
Pan Speed	0.1°/s ~ 80°/s	0.1°/s ~ 80°/s	0.1°/s ~ 180°/s
Tilt Range	-9° ~ 90°	-9° ~ 90°	-15° ~ 90°
Tilt Speed	0.1°/s ~ 80°/s	0.1°/s ~ 80°/s	0.1°/s ~ 180°/s
Number of Presets (IPC)	1024		
<b>Live View</b>			
Maximum Bitstream	35		
Maximum Bandwidth	50 Mbps		
<b>General</b>			
Power	DC48V±25%		
Power Consumption	Max. 88 W		
Dimensions	523mm*270mm*630mm		
Weight	14.41Kg		
Working Environment	-40 °C to 70 °C (-40 °F to 158 °F), Humidity: ≤ 95% RH (non-condensing)		
Storage Environment	-40 °C to 70 °C (-40 °F to 158 °F), Humidity: ≤ 95% RH (non-condensing)		
Surge Protection	6 KV		
<b>Interface</b>			
Audio I/O	1 Input: impedance 35 kΩ, amplitude 2 V [p-p], 1 Output: impedance 600 Ω, amplitude 2 V [p-p]		
Alarm I/O	7/2		
Serial Port	1 × RS485		
Network	1 × RJ45 10 M/100 M/1000 M Base-TX Ethernet		

## Dimensions



## Accessories

<b>TR-WE45-S-IN</b> Tiangong Integrated Machine Wall Mount Bracket	<b>TR-CE45-S-IN</b> Tiangong Integrated Machine Pendant Mounting Bracket	<b>TR-UP08M-A-IN</b> Tiangong Integrated Machine Pole Mounting Bracket
		

# Unlimited New View

## Zhejiang Uniview Technologies Co., Ltd.



<http://www.uniview.com>



[overseasbusiness@uniview.com](mailto:overseasbusiness@uniview.com); [globalsupport@uniview.com](mailto:globalsupport@uniview.com)



No. 369, Xietong Road, Xixing Sub-district, Binjiang District, Hangzhou City, 310051, Zhejiang Province, China



©2023-2025 Zhejiang Uniview Technologies Co., Ltd. All rights reserved.

\*Product specifications and availability are subject to change without notice.

Despite our best efforts, technical or typographical errors may exist in this document. Uniview cannot be held responsible for any such errors and reserves the right to change the contents of this document without prior notice.